

TECHNICAL DATASHEET

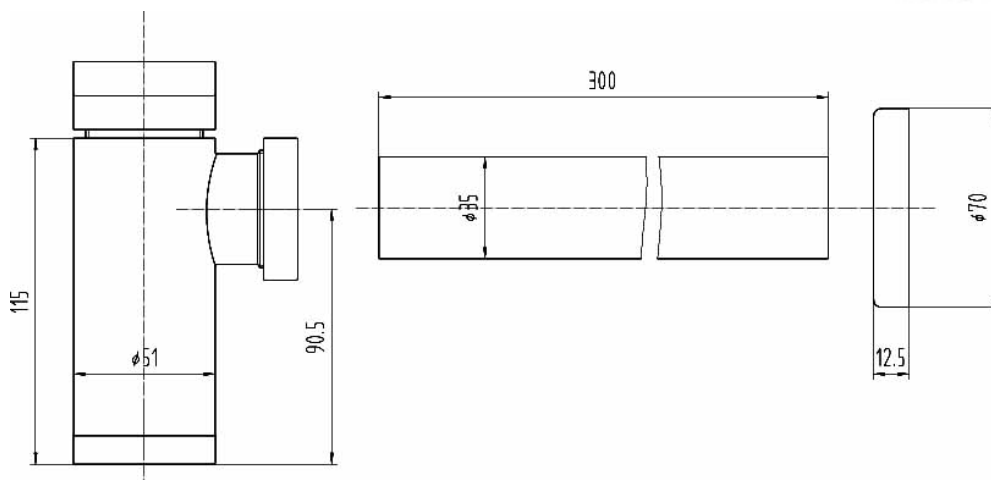


MINIMALIST BOTTLE TRAP WITH 300mm EXTENSION TUBE

Barcode	5055146121992
Product Code	EK302
Finishes	Chrome
Product Type	WASTES
Standards	Manufactured in accordance with BS EN 274-1: 2002
Requirement	Suitable for all plumbing systems

Guarantee & Aftercare

During installation extra care must be taken to avoid damaging the fittings. We provide a 10 year guarantee against faulty workmanship or materials (excluding serviceable parts), providing they have been installed, cared for and used in accordance with our instructions.



CUSTOMER CARE:

For further information please call 01282 446789