

## Grace Mono Basin Mixer

<b>Barcode</b>	5055146199960
<b>Product Code</b>	GRA305
<b>Finishes</b>	Chrome
<b>Product Type</b>	Mono Basin Mixer
<b>Water Pressure</b>	LP2 - 0.2 bar pressure minimum
<b>Standards</b>	BS5412, EN200 and/or WRc/NSF
<b>Requirement</b>	Suitable for all plumbing systems



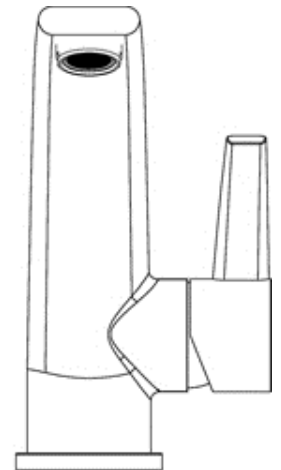
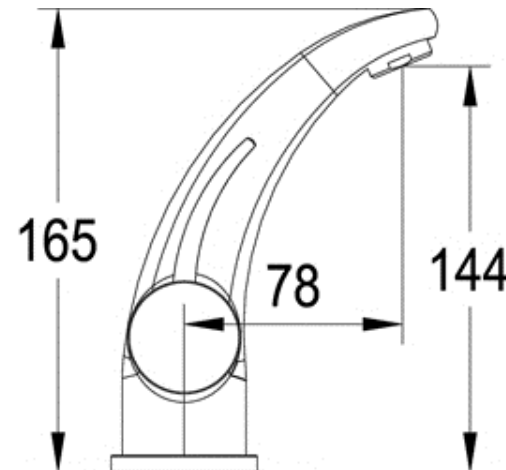
### Guarantee & Aftercare

During installation extra care must be taken to avoid damaging the fittings. We provide a 20 year guarantee against faulty workmanship or materials (excluding serviceable parts), providing they have been installed, cared for and used in accordance with our instructions.

### ADDITIONAL INFORMATION

- Ceramic Disc Technology
- Supplied without waste

Bar	Flow l/min
0.1	2.5
0.5	7
1	9
2	14
3	16



**COMPLIANCE:** Pending

### CUSTOMER CARE:

For further information please call 01282 446789

### KEY TO PRODUCT PRESSURE REQUIREMENTS

LP - 0.1 bar min      LP2 - 0.2 bar min      MP - 0.5 bar min      HP1 - 1 bar min      HP2 - 2 bar min