

Tec Crosshead Bath Filler—small spout

Barcode	5055146198062
Product Code	TEX353
Finishes	Chrome
Product Type	Bath Filler Small Spout
Water Pressure	LP2 - 0.2 bar pressure minimum
Standards	BS5412, EN200 and/or WRc/NSF
Requirement	Suitable for all plumbing systems



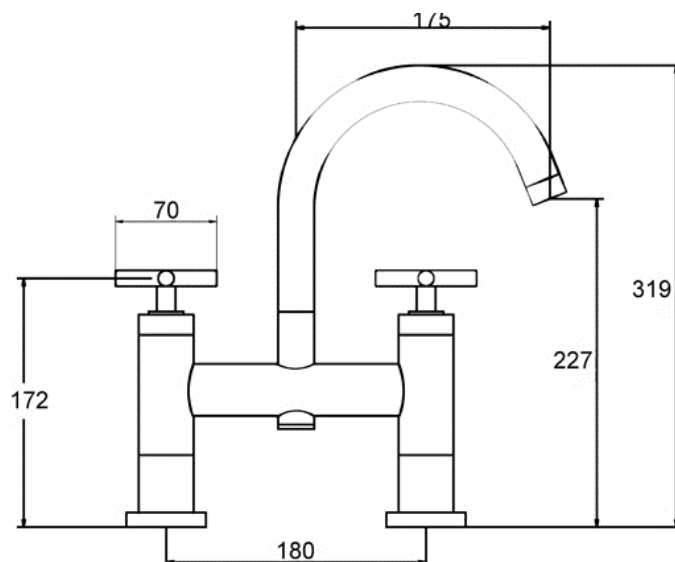
Guarantee & Aftercare

During installation extra care must be taken to avoid damaging the fittings. We provide a 20 year guarantee against faulty workmanship or materials (excluding serviceable parts), providing they have been installed, cared for and used in accordance with our instructions.

ADDITIONAL INFORMATION

- Ceramic Disc Technology
- Small Swivel Spout

Bar	Flow l/min
0.1	8
0.5	29
1	40
2	48



COMPLIANCE: Pending

CUSTOMER CARE:

For further information please call 01282 446789

KEY TO PRODUCT PRESSURE REQUIREMENTS

LP - 0.1 bar min LP2 - 0.2 bar min MP - 0.5 bar min HP1 - 1 bar min HP2 - 2 bar min