

SHEER RECTANGULAR SLIDER RAIL KIT

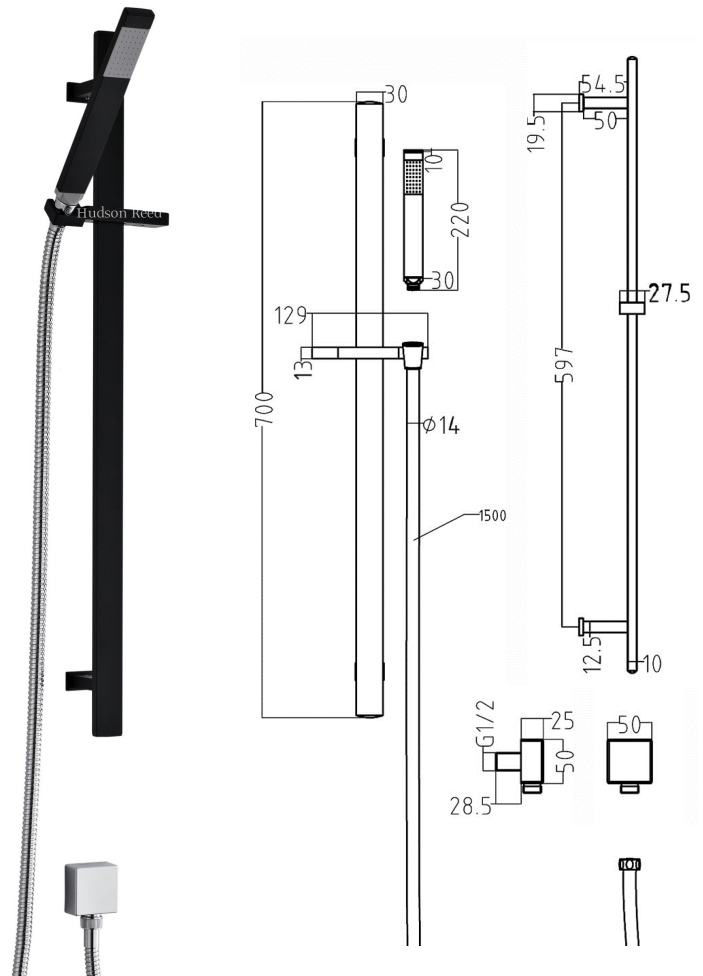
Barcode	5055369019960
Product Code	A7167
Finishes	BLACK
Product Type	Shower Kit
Requirement	Suitable for all plumbing systems

Guarantee & Aftercare

During installation extra care must be taken to avoid damaging the fittings. We provide a 20 year guarantee against faulty workmanship or materials (excluding serviceable parts), providing they have been installed, cared for and used in accordance with our instructions.

ADDITIONAL INFORMATION

- 1.5m shower flex chrome plated brass
- Slider rail chrome plated brass
- Handset chrome plated brass
- Outlet elbow chrome plated ABS



CUSTOMER CARE:

For further information please call 01282 446789