

TECHNICAL DATASHEET

Hudson Reed

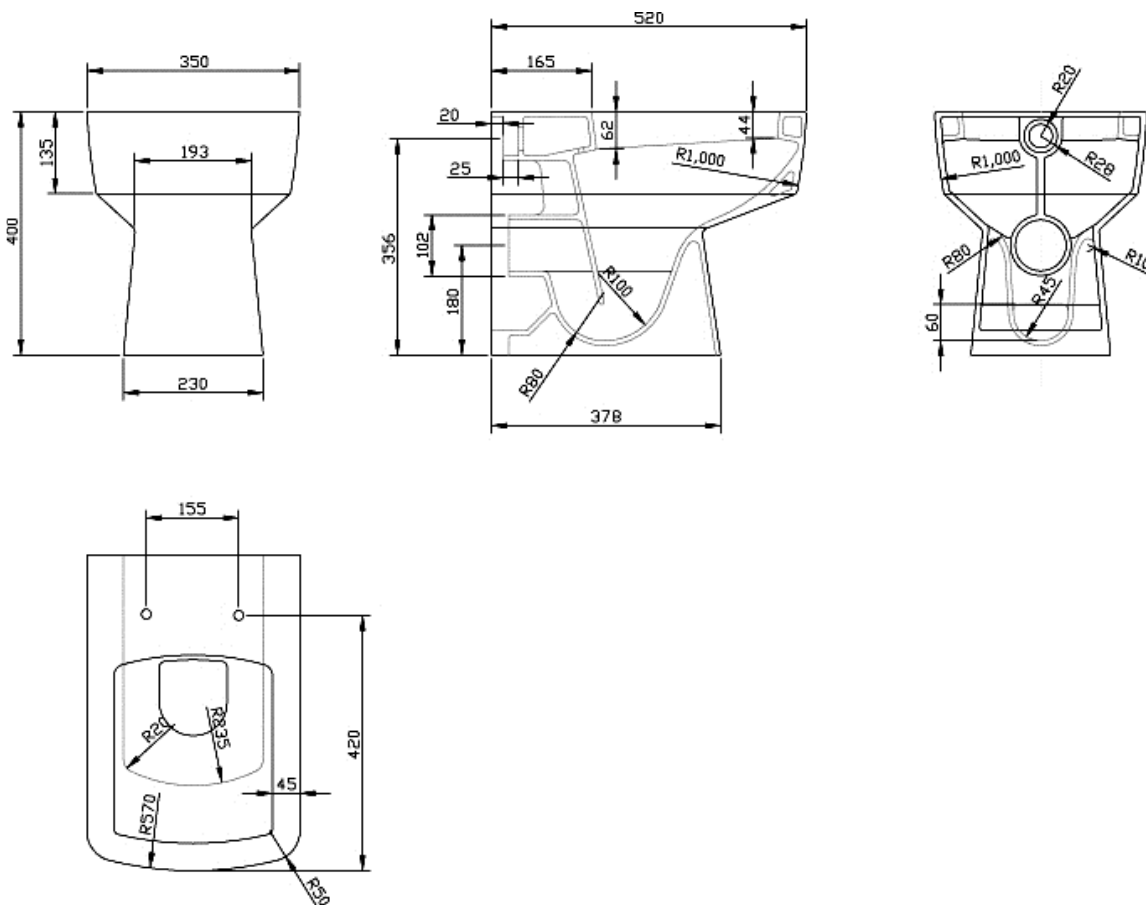
CERAMIC BACK TO WALL PAN & SEAT

Barcode	5055369023523
Product Code	CPA001
Finishes	CERAMIC
Product Type	BATHROOM FURNITURE



Guarantee & Aftercare

During installation extra care must be taken to avoid damaging the fittings. We provide a 5 year guarantee against faulty workmanship or materials (excluding serviceable parts), providing they have been installed, cared for and used in accordance with our instructions.



CUSTOMER CARE:

For further information please call 01282 446789

Ultra Finishing Ltd, Widow Hill Road, Heasandford Industrial Estate, Burnley, Lancashire, BB10 2BQ
Telephone: 01282 436934 Fax: 01282 428915 Web site: www.homeofultra.com