

# TECHNICAL DATASHEET

# Hudson Reed

## C/C BTW PAN WITH SOFT CLOSE SEAT & CIS-

<b>Barcode</b>	5055369043972
<b>Product Code</b>	CAL003
<b>Finishes</b>	CERAMIC
<b>Product Type</b>	BATHROOM FURNITURE

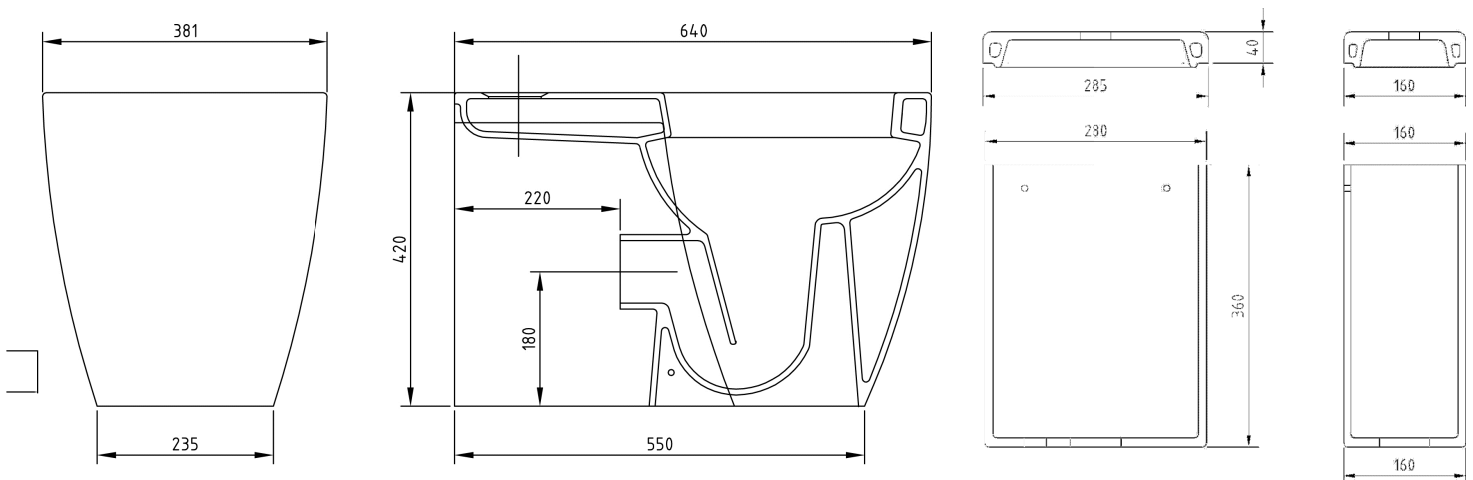


### Guarantee & Aftercare

During installation extra care must be taken to avoid damaging the fittings. We provide a 5 year guarantee against faulty workmanship or materials (excluding serviceable parts), providing they have been installed, cared for and used in accordance with our instructions.

### ADDITIONAL INFORMATION—The WC pan complies with the following standards. (Image shows cistern and pan).

- BS 3402: 1969: Specification for quality of vitreous china sanitary appliances
- BS EN 33 WC pans with close coupled cistern, connecting dimensions
- BS EN 997 WC pans with integral trap.
- Water supply regulations 1999



**CUSTOMER CARE:** For further information please call 01282 446789