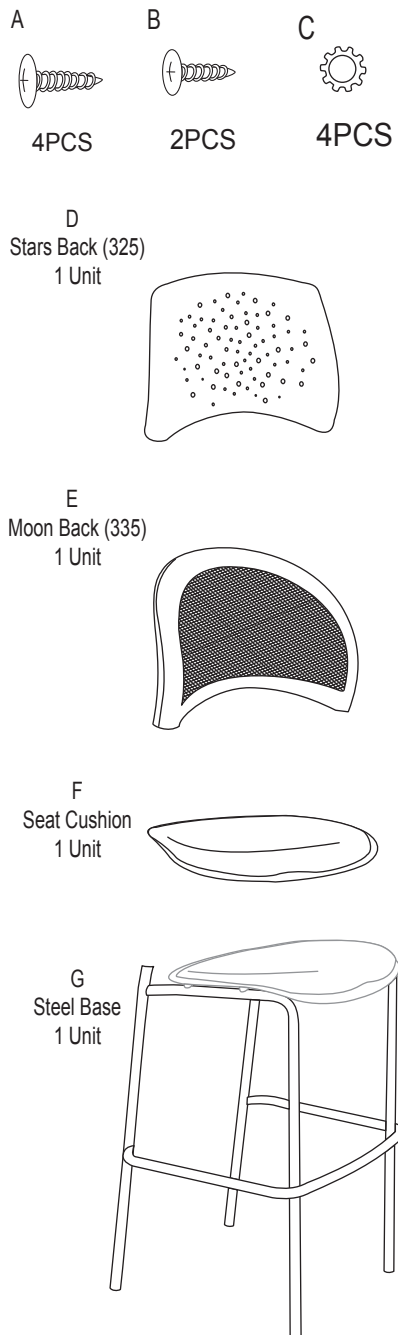
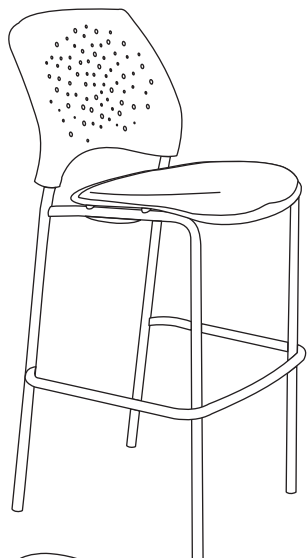


Model 328/338 Stars/Moon Café Height Chair

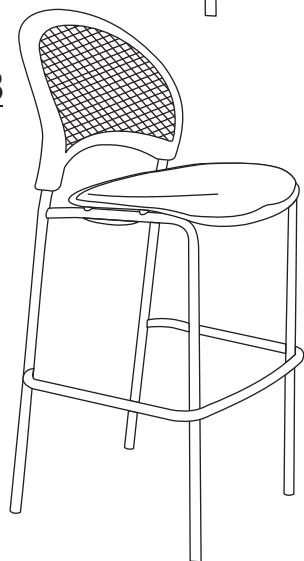
Parts Listing



328



338



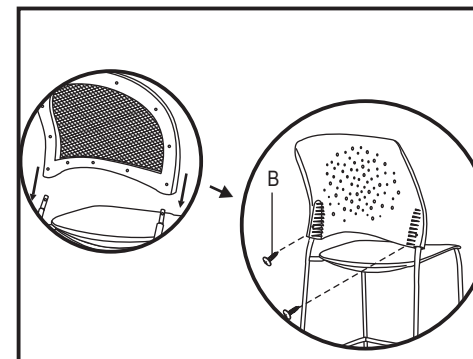
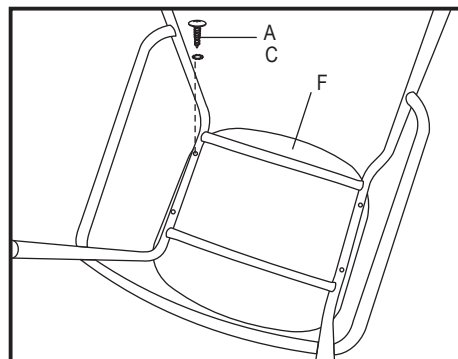
Assembly Instructions



Tools Needed: Phillips Head Screwdriver
Please read all instructions before assembly.

Step 1: Attach Seat Cushion(F) to Steel Base (G) using screws (A) and washers (C). Tighten screws with phillips head screwdriver.

Step 2: Place the plastic Seat Back (D / E) onto top of Steel base (G). Line up holes in the rear of the seat back and frame and connect using two short screws (B). Tighten screws with phillips head screwdriver.



WEIGHT CAPACITY: 250 lbs.

Assembly Notes:

During assembly, hand tighten screw only when all screws are in place, you may then tighten all screws completely.

CAUTION:

1. Do not use this chair as a step ladder.
2. Check for loose screws and tighten them every 6 months.

ofm
 Furniture For The Real Office™

161 Tradition Trail Holly Springs, NC, 27540
 800-520-7471 (voice) 919-362-4765 (fax)
 919- 303-6389 (voice) www.ofminc.com
 support@ofminc.com