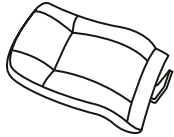


Model 518-LX Stimulus Leatherette Guest Chair

Parts Listing

A
Chair Back
1 Unit



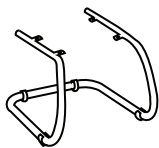
B
Chair Seat
1 Unit



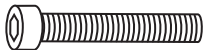
C
Chair Arms
2 Units



D
Chair Base
1 Unit



E
Arm Screws
4 Units



F
Screws
8 Units



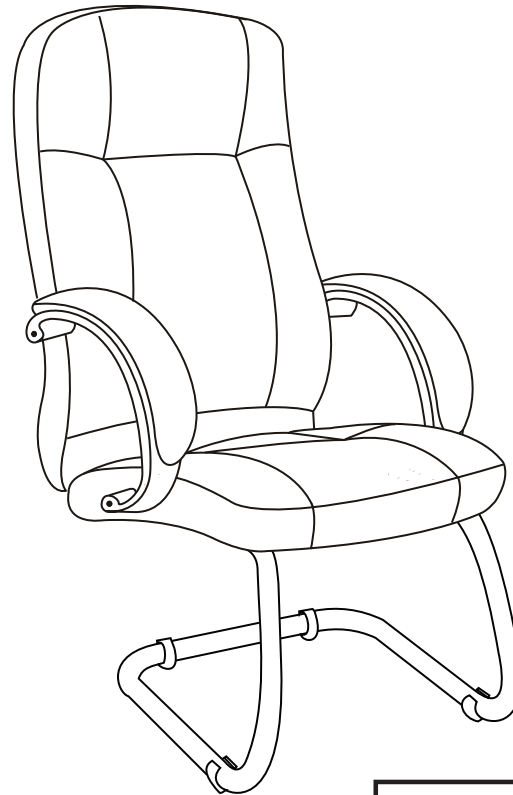
G
Large Allen Wrench
1 Unit



H
Small Allen Wrench
1 Unit



I
Arm Caps
4 Units

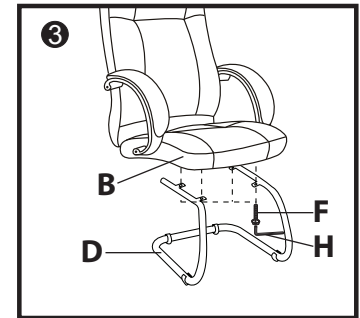
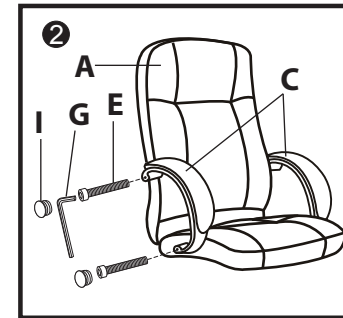
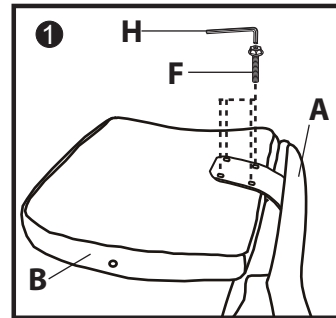


Assembly Instructions



Tools Needed: Phillips Head Screwdriver
Please read all instructions before assembly.

- Step 1:** Attach mounting plate on Chair Back (A) to Chair Seat (B) with 4 Screws (F), using Small Allen Wrench (H) that is provided.
- Step 2:** Attach Chair Arms (C) to Chair Back (A) and Chair Seat (B) using Arm Screws (E) and Large Allen Wrench (G). Cover screw holes with Arm Caps (I).
- Step 3:** Attach entire chair frame to Chair Base (D) using 4 Screws (F) and Small Allen Wrench (H), that is provided.



WEIGHT CAPACITY: 250 lbs.

Assembly Notes:

During assembly, hand tighten screws only. When all screws are in place, you may then tighten all screws completely.

CAUTION:

1. Do not use this chair as a step ladder.
2. Check for loose screws and tighten them every 6 months.

ofm
Furniture For The Real Office™

161 Tradition Trail Holly Springs, NC, 27540
800-520-7471 (voice) 919-362-4765 (fax)
919-303-6389 (voice) www.ofminc.com
support@ofminc.com