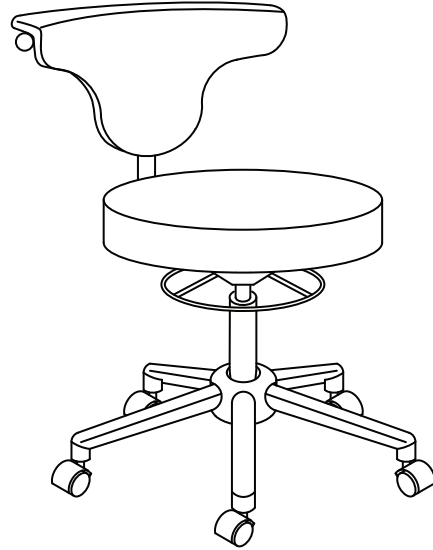
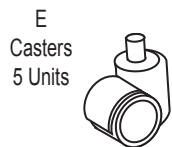
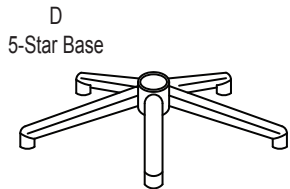
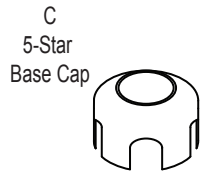
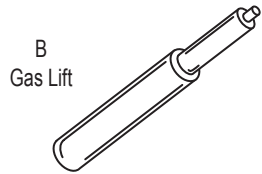
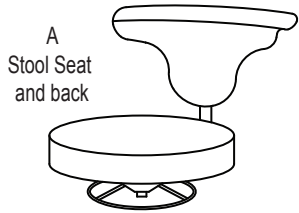


Model 910 Doctor's Stool

Parts Listing



Assembly Instructions

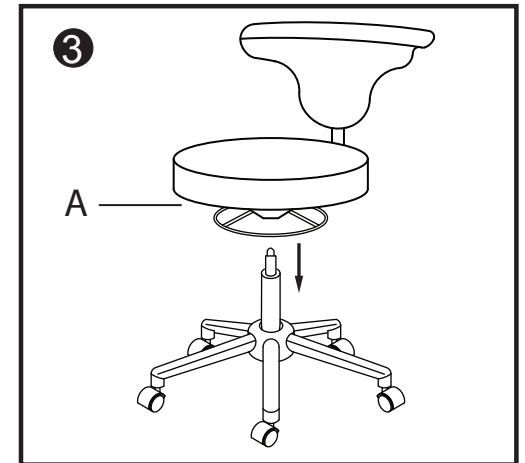
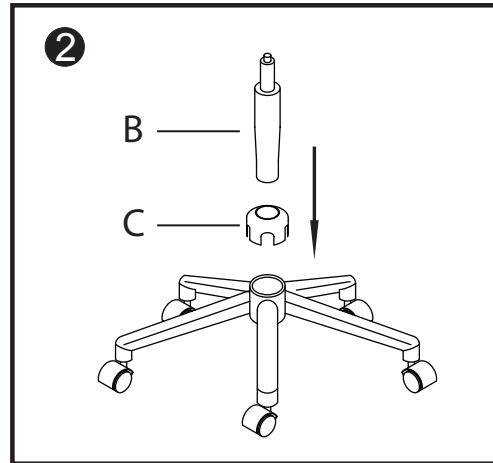
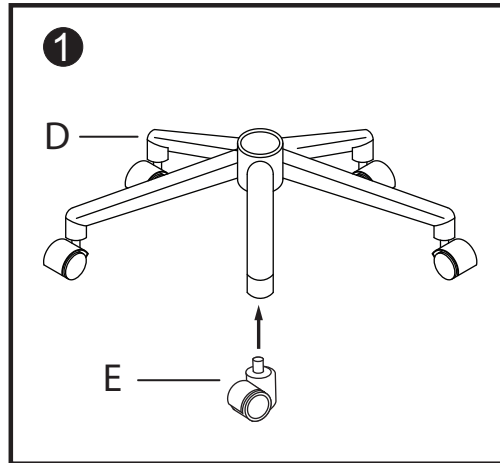


Please read all instructions before assembly.

Step 1: Insert Casters (E) into 5-Star Swivel Base (D).

Step 2: Place Base Cap (C) over 5-Star Swivel Base (D), then insert Gas Lift (B) into hole in 5-Star Base.

Step 3: Place entire Stool Seat with back (A) onto top of Gas Lift (B) and push down firmly to lock into place.



WEIGHT CAPACITY: 250 lbs.

Assembly Notes:

During assembly, hand tighten screw only when all screws are in place, you may then tighten all screws completely.

CAUTION:

1. Do not use this chair as a step ladder.
2. Check for loose screws and tighten them every 6 months.

*ofm*_U
Furniture For The Real Office™

161 Tradition Trail Holly Springs, NC, 27540
800-520-7471 (voice) 919-362-4765 (fax)
919-303-6389 (voice) www.ofminc.com
support@ofminc.com