

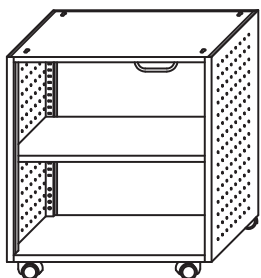
Models 66745 / 66746 Mesa Series Mobile Utility Tables

Parts Listing

A
Table Top
1 Unit



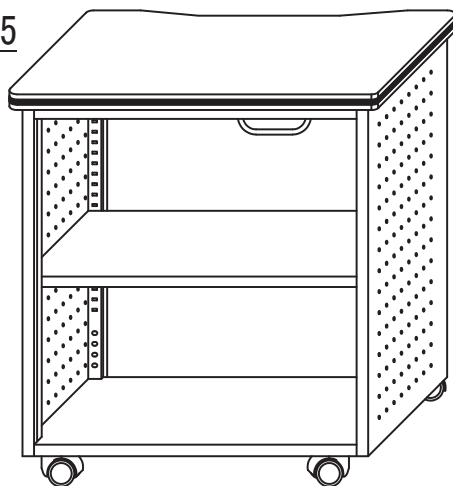
B
Mobile Table
(With or Without Doors)
1 Unit



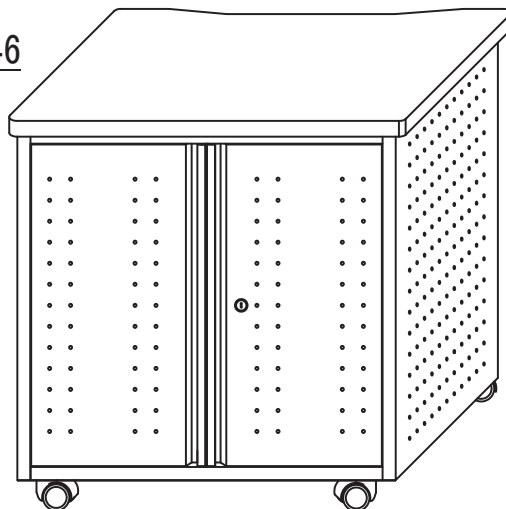
C
6x16mm Screw
4 Units



66745



66746

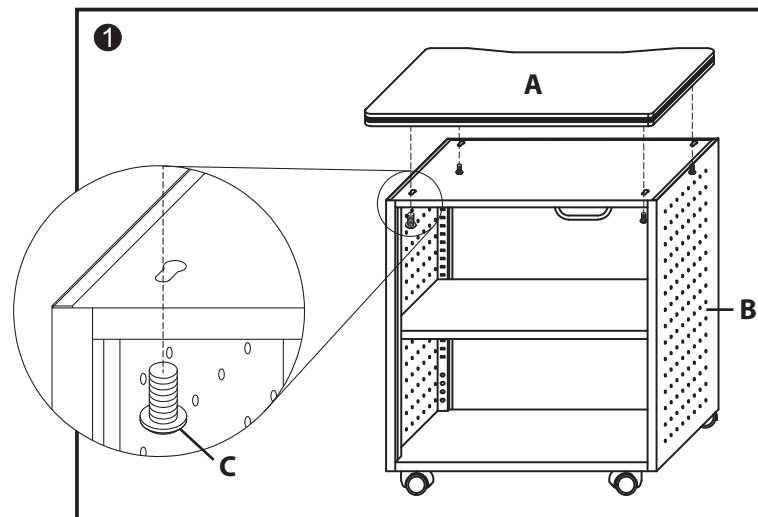


Assembly Instructions



Tools Needed: Phillips Head Screwdriver
Please read all instructions before assembly.

Step 1: Align Table Top (A) with the holes on top of the Mobile Table (B). Attach by inserting 6x16mm Screws (C) up through the underside of the Mobile Table (B) top and into the Table Top (A). Tighten using screwdriver.



Assembly Notes:

During assembly, hand tighten screws only. When all screws are in place, you may then tighten all screws completely.

CAUTION:

1. Do not use this table as a step ladder.
2. Check for loose screws and tighten them every 6 months.

ofm
Furniture For The Real Office™

161 Tradition Trail, Holly Springs, NC, 27540
800-520-7471 (voice) 919-362-4765 (fax)
919-303-6389 (voice) www.ofminc.com
support@ofminc.com