

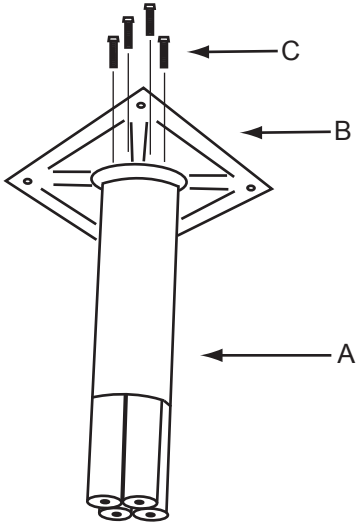
Multi-Purpose Table

Model MT36RD 36" Round ▪ Model MT42RD 42" Round

Model MT36SQ 36" Square ▪ Model MT42SQ 42" Square

Assembly Instructions

Step 1



Step 1: Attach plate (B) to center post (A) with 4 bolts (C). Set center post (A) with mounting plate (B) on floor.

Step 2: Insert 4 leg supports (D) into center post (A) rims. Cover with center post cap (E), insert and tighten 4 bolts (F).

Step 3: Screw on leveling glides (G) to leg supports (D).

Step 4: Place table top (H) on flat non-scratching surface. Invert base unit to align with matching holes. Insert and tighten 4 bolts (I).

Step 5: Return to upright position and adjust leveling glides (G) if needed.

Parts List

1 - Center Post (A)

1 - Mounting Plate (B)

4 - 8m x 30mm Bolts (C)

4 - Leg Supports (D)

1 - Center Post Cap (E)

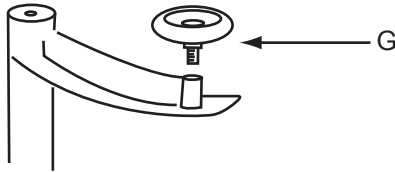
4 - 8m x 85mm Bolts (F)

4 - Leveling Glides (G)

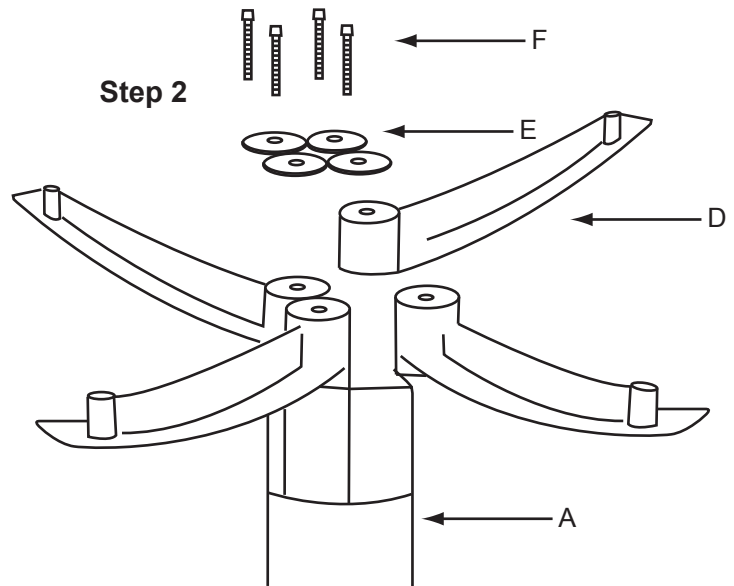
1 - Table Top (H)

4 - 6m x 19mm Bolts (I)

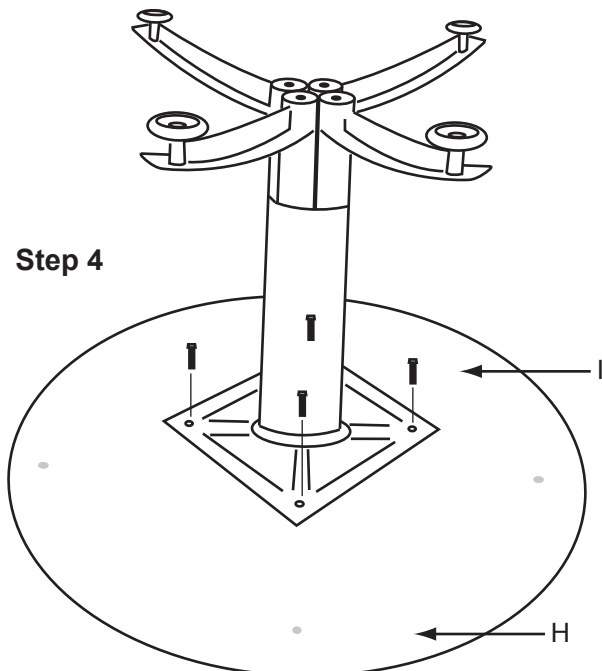
Step 3



Step 2



Step 4



ofm OFM, INC.
Furniture for the Real Office

Holly Springs, NC, USA
800-520-7471 (voice)
919-303-6389 (voice)
919-362-4765 (fax)
support@ofminc.com
www.ofminc.com