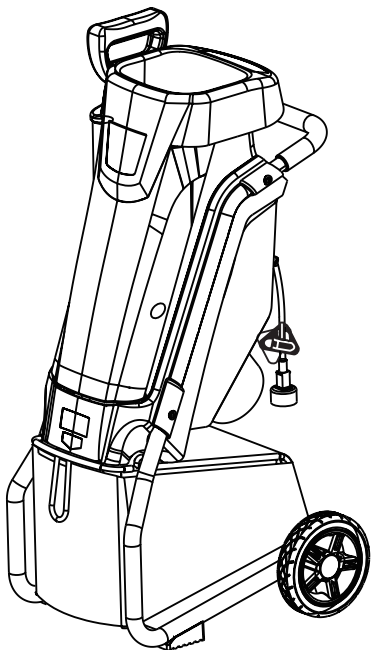



greenworks™

15A YARD CHIPPER 24052



Owner's Manual

TOLL-FREE HELPLINE: 1-888-90WORKS (888.909.6757)

 Read all safety rules and instructions carefully before operating this tool.

CONTENTS

Contents 2

Product specifications..... 2

Safety information..... 3-4

Symbols..... 5-6

Electrical..... 7-8

Know your yard chipper 9

Assembly instructions 10-13

Operation..... 14-17

Maintenance 18-19

Warranty 20

Exploded view..... 21-22

Parts list..... 23-25

Notes 26-27

PRODUCT SPECIFICATIONS

15A YARD CHIPPER

Motor 120V AC, 60 Hz, 15A

No-load speed 4,000 RPM

Maximum cutting diameter 1-3/8" (35 mm)

Height 37-1/2" (950 mm)

Weight 30.8 lbs. (14 kg)



SAFETY INFORMATION

IMPORTANT SAFETY INSTRUCTIONS

IMPORTANT

READ AND UNDERSTAND ALL INSTRUCTIONS. Failure to follow all instructions listed below may result in electric shock, fire, and/or serious personal injury.

WARNING

TO AVOID MISTAKES THAT COULD CAUSE SERIOUS INJURY, DO NOT PLUG IN THE CHIPPER UNTIL THE FOLLOWING STEPS HAVE BEEN READ THOROUGHLY.

- READ and become familiar with this entire instruction manual. LEARN the tool's applications, limitations, and possible hazards.
- AVOID DANGEROUS CONDITIONS. DO NOT use power tools in wet or damp areas or expose them to rain.
- DO NOT use power tools in the presence of flammable liquids or gases.
- KEEP BYSTANDERS AT A SAFE DISTANCE FROM the work area when the tool is operating. NEVER allow children near the tool.
- DO NOT FORCE THE TOOL to do a job for which it was not designed.
- DRESS FOR SAFETY. DO NOT wear loose clothing, gloves, neckties, or jewelry (rings, watches, etc.) when operating tool. Loose clothing can get caught and pull you into moving parts.
- ALWAYS WEAR EYE PROTECTION.
- ALWAYS remove the power cord plug from the electric outlet when making adjustments, changing parts, cleaning or working on the tool.
- AVOID ACCIDENTAL START-UPS. Make sure the power switch is in the OFF position before plugging in the power cord.
- DO NOT abuse the power cord. Do not use it to carry the tool. Keep cord away from heat, oil, sharp edges, or moving parts. Replace damaged cords immediately; they may create a shock or fire hazard.
- NEVER LEAVE A RUNNING TOOL UNATTENDED. Turn the power switch to OFF. Do not leave the tool until it has come to a complete stop.
- Keep proper footing and balance at all times. Wear oil-resistant, rubber-soled footwear.
- ALWAYS keep tool clean and in good working order.
- Check for proper alignment of moving parts, binding, breakage, or any other conditions that may affect the tool's operation. Any part that is damaged
- DO NOT operate tool if you are under the influence of any drugs, alcohol or medication that could affect your ability to use the tool properly.
- Do not use solvents, brake fluids, gasoline, or other petroleum products to clean the tool; they may damage plastic parts.

SAFETY INFORMATION



ALWAYS WEAR EYE PROTECTION.

A yard chipper can throw foreign objects into your eyes which could cause permanent eye damage.

ALWAYS wear safety goggles (not glasses). Ordinary eyeglasses have only impact-resistant lenses—they are **NOT** safety goggles.

SPECIFIC SAFETY RULES FOR YARD CHIPPERS

- Be thoroughly familiar with the operation of the chipper before initial use.
- **NEVER** put your hands into the hopper. Always use the push stick supplied with your chipper to push items into the hopper.
- **DO NOT** try to force objects that exceed the recommended diameter and capacity of the chipper: 1-3/8" (35 mm).
- **AVOID ACCIDENTAL START-UPS.** Be sure switch is OFF when plugging in.
- **DO NOT FORCE THE CHIPPER.** It will do the job better and with less likelihood of injury at the rate for which it was designed.
- Before putting objects into the hopper, remove any stones, debris, or objects that could damage the blades.
- During operation, ensure that there are no other persons or animals within a radius of 10 feet. Stop using the machine while people, especially children, or pets, are nearby.
- **NEVER** reach under the chipper until it has completely stopped. The blade may continue to rotate for a time after being switched OFF.
- **MAKE** all adjustments with the power OFF and the chipper disconnected from the power source.
- **ALWAYS** use accessories provided or recommended by the manufacturer. Do not use substitutes.
- **KEEP** guards in place and in working order. Keep blades sharp. Keep hands and feet away from cutting areas.

⚠ WARNING

NEVER PLACE HANDS NEAR DISCHARGE CHUTE. FAILURE COULD RESULT IN SERIOUS INJURY.









⚠ WARNING

NEVER REACH INTO THE HOPPER UNTIL THE CHIPPER HAS COME TO A COMPLETE STOP AND IS UNPLUGGED. THE CHIPPER WILL CONTINUE TO ROTATE FOR A FEW SECONDS AFTER IT IS SWITCHED OFF.

SAVE THESE INSTRUCTIONS




SYMBOLS

Some of the following symbols may be used on this product. Please study them and learn their meaning. Proper interpretation of these symbols will allow you to operate the product better and safer.

SYMBOL	NAME	DESIGNATION/EXPLANATION
V	Volts	Voltage
A	Amperes	Current
Hz	Hertz	Frequency (cycles per second)
W	Watts	Power
min	Minutes	Time
~	Alternating Current	Type of current
≡	Direct Current	Type or a characteristic of current
n_0	No Load Speed	Rational speed, at no load
	Class II Construction	Double-insulated construction
/min	Per Minute	Revolutions, strokes, surface speed, orbits etc., per minute
	Wet Conditions Alert	Do not expose to rain or use in damp locations
	Read The Operator's Manual	To reduce the risk of injury user must read and understand operator's manual before using this product.
	Eye Protection	Wear eye protection when operating this equipment.
	Ricochet	Thrown objects can ricochet and result in personal injury or property damage.
	Sharp Blade	Danger – Keep hands and feet away from blade.
	Cutting Capacity	Cutting capacity: 1-3/8" (3.5 cm)
	Keep Bystanders Away	Keep all bystanders at least 50 ft. away.

SYMBOLS

The following signal words and meanings are intended to explain the levels of risk associated with this product.

SYMBOL	SIGNAL	MEANING
	DANGER	Indicates an imminently hazardous situation, which, if not avoided, will result in death or serious injury.
	WARNING	Indicates a potentially hazardous situation, which, if not avoided, could result in death or serious injury.
	CAUTION	Indicates a potentially hazardous situation, which, if not avoided, may result in minor or moderate injury.
	CAUTION	(Without Safety Alert Symbol) Indicates a situation that may result in property damage.

SERVICE

Servicing requires extreme care and knowledge and should be performed only by a qualified service technician. For service we suggest you return the product to your nearest **AUTHORIZED SERVICE CENTER** for repair. When servicing, use only identical replacement parts.

W A R N I N G

To avoid serious personal injury, do not attempt to use this product until you have read this Owner's Manual thoroughly and understand it completely. If you do not understand the warnings and instructions in this Owner's Manual, do not use this product. Call the Toll-free Helpline (1-888-909-6757) for assistance.

W A R N I N G



The operation of any power tool can result in foreign objects being thrown into your eyes, which can result in severe eye damage. Before beginning power tool operation, always wear safety goggles or safety glasses with side shields and, when needed, a full face shield. We recommend Wide Vision Safety Mask for use over eyeglasses or standard safety glasses with side shields. Always use eye protection which is marked to comply with ANSI Z87.1.

SAVE THESE INSTRUCTIONS

ELECTRICAL

DOUBLE INSULATED (See Figure 1)



⚠ WARNING

TO AVOID ELECTRIC SHOCK HAZARDS, FIRE HAZARDS, OR DAMAGE TO THE TOOL, USE PROPER CIRCUIT PROTECTION. YOUR CHIPPER IS WIRED AT THE FACTORY FOR 120-V OPERATION. CONNECT TO 120-V, 15-Amp CIRCUIT AND USE A 15-Amp CIRCUIT BREAKER. TO AVOID SHOCK OR FIRE WHEN THE POWER CORD IS WORN, CUT, OR DAMAGED IN ANYWAY, REPLACE IT IMMEDIATELY.

This yard chipper has a plug that looks like the one shown in Fig. 1. The yard chipper is double insulated to provide a dual thickness of insulation between you and the tool's electrical system. All exposed metal parts are insulated.

⚠ WARNING

TO AVOID INJURY, WHEN SERVICING THE CHIPPER USE ONLY IDENTICAL REPLACEMENT PARTS.

⚠ WARNING

DOUBLE INSULATION DOES NOT TAKE THE PLACE OF NORMAL SAFETY PRECAUTION WHEN OPERATING THIS TOOL.

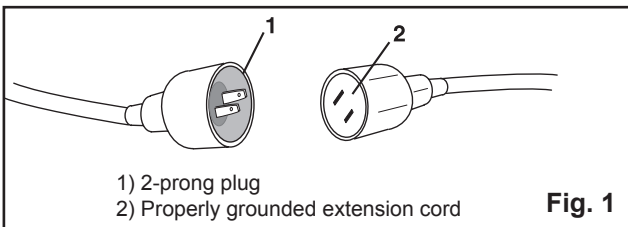
⚠ WARNING

TO AVOID ELECTRIC SHOCK:

1. Use only identical replacement parts when servicing a tool with double insulation. Servicing should be performed by a qualified technician.
 2. Do not use in wet or damp or expose to rain.
-

⚠ CAUTION

IN ALL CASES, MAKE CERTAIN THE RECEPTACLE IN QUESTION IS PROPERLY GROUNDED. IF YOU ARE NOT SURE, HAVE A CERTIFIED ELECTRICIAN CHECK THE RECEPTACLE.



ELECTRICAL

WARNING

THIS LAWN TOOL IS FOR OUTDOOR USE ONLY. DO NOT EXPOSE TO RAIN OR USE IN DAMP LOCATIONS.

GUIDELINES FOR USING EXTENSION CORDS

Make sure your extension cord is in good condition. When using an extension cord, be sure to use one of heavy enough gauge to carry the current your product will draw. An undersized cord will cause a drop in line voltage resulting in loss of power and overheating. The table below shows the correct size to be used according to cord length and nameplate ampere rating. If in doubt, use the next heavier gauge. The smaller the gauge number, the heavier the cord.

MINIMUM GAUGE FOR EXTENSION CORDS (AWG)

(WHEN USING 120 V ONLY)

Amp Rating		Total Length of Cord in Feet (meters)			
More Than	Not More Than	25' (7.6 m)	50' (15 m)	100' (30.4 m)	150' (45.7 m)
0	6	18	16	16	14
6	10	18	16	14	12
10	12	16	16	14	12
12	16	14	12	Not Recommended	

Be sure your extension cord is properly wired and in good condition. Always replace a damaged extension cord or have it repaired by a qualified person before using it. Keep your extension cords away from sharp objects, excessive heat and damp or wet areas.

Use a separate electrical circuit for your tools. This circuit must not be less than 12-gauge cord and should be protected with a 15-amp time delayed fuse. Before connecting the motor to the power line, make sure the switch is in the OFF position and the electric current is rated the same as the current stamped on the motor nameplate. Running at a lower voltage will damage the motor.

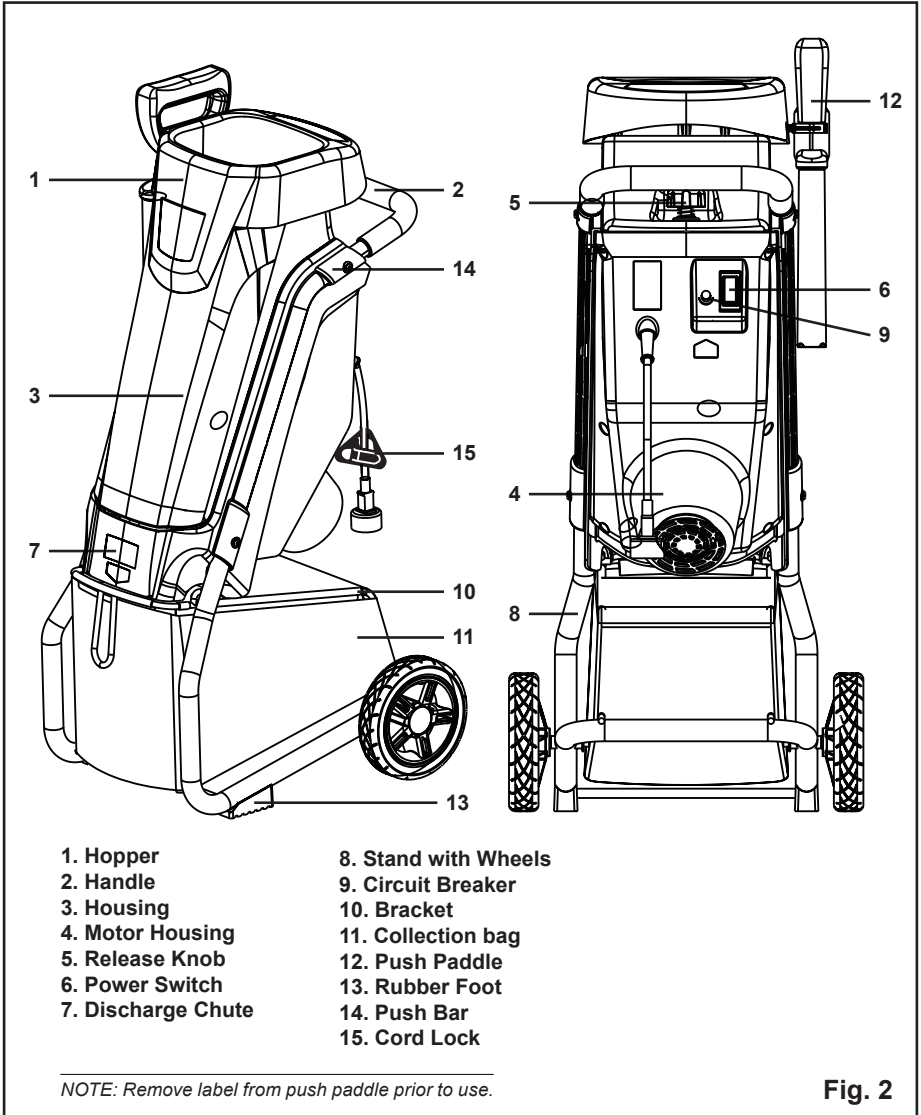
WARNING

THIS TOOL MUST BE GROUNDED WHILE IN USE TO PROTECT THE OPERATOR FROM ELECTRICAL SHOCK.

SAVE THESE INSTRUCTIONS

KNOW YOUR YARD CHIPPER

Read this operator's manual and safety rules before operating your yard chipper. Compare the illustration in Figure 2 to your yard chipper in order to familiarize yourself with the location of various controls and adjustments. Save this manual for future reference.



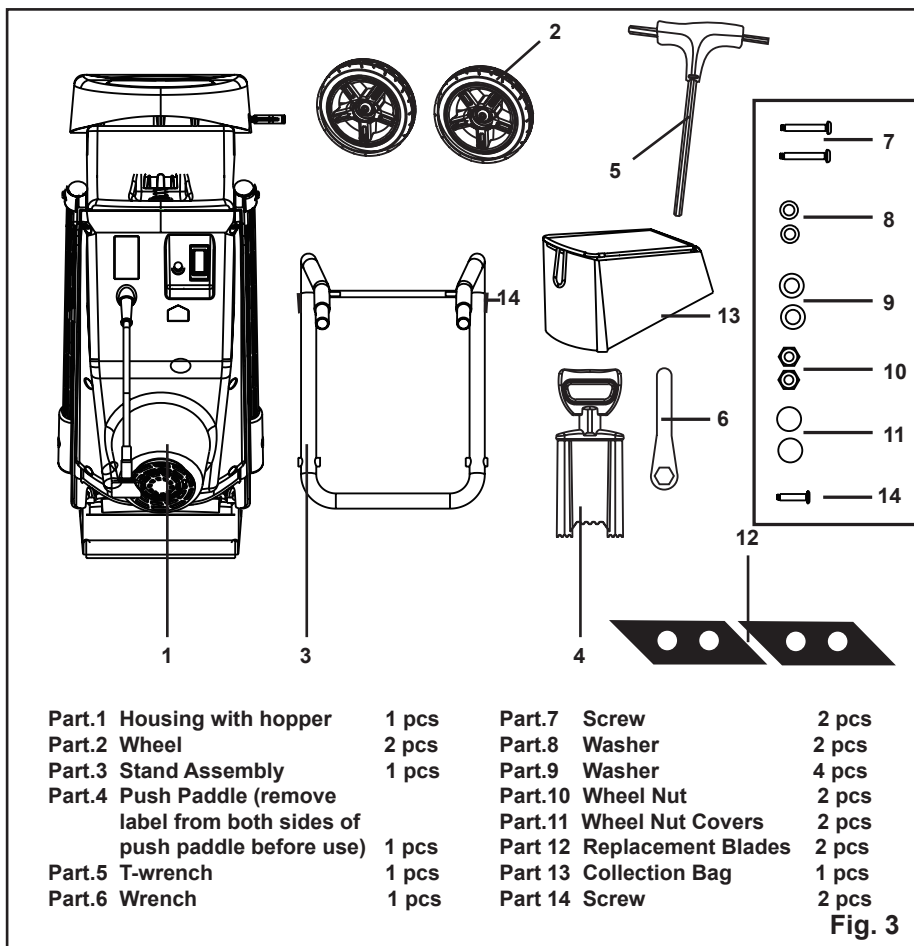
ASSEMBLY INSTRUCTIONS

UNPACKING

This product has been shipped completely assembled.

- Carefully remove the product and any accessories from the box. Make sure that all items listed in the packing list are included.
- Inspect the product carefully to make sure no breakage or damage occurred during shipping.
- Do not discard the packing material until you have carefully inspected and satisfactorily operated the product.
- If any parts are damaged or missing, please call 1-888-909-6757 for assistance.

PACKING LIST (See Figure 3)



ASSEMBLY INSTRUCTIONS

W A R N I N G

If any parts are damaged or missing, do not operate this product until the parts are replaced. Failure to heed this warning could result in serious personal injury.

W A R N I N G

Do not connect to power supply until assembly is complete. Failure to comply could result in accidental starting and possible serious personal injury.

W A R N I N G

Do not attempt to modify this product or create accessories not recommended for use with this product. Any such alteration or modification is misuse, and could result in a hazardous condition leading to possible serious personal injury.

Assembling this YARD Chipper need as follows tools:

- T-wrench
- wrench
- Phillips screwdriver

ASSEMBLY INSTRUCTIONS

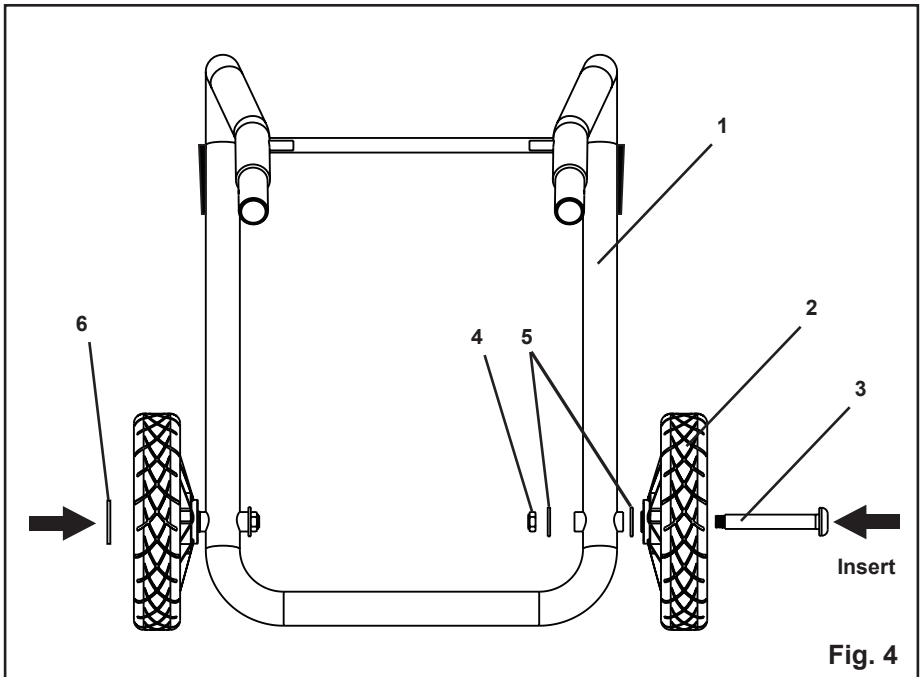
INSTALLING THE WHEELS (See Figure 4)

The chipper must be fully assembled before use.

⚠ WARNING

TO AVOID INJURY, ALWAYS TURN THE SWITCH OFF AND DISCONNECT THE CHIPPER FROM THE POWER OUTLET BEFORE MAKING ANY ADJUSTMENTS.

- Place the wheel bolt (3) through the opening in the wheel (2), add first washer (5) between wheel and frame. Pass wheel bolt, washer through frame assembly add second washer (5) and secure with wheel nut (4).
- Put the wheel bolt covers (6) in place.



ASSEMBLY INSTRUCTIONS

ATTACHING LEGS TO CHIPPER (See Figure 5)

The legs are attached to the bottom of the chipper.

- Place the legs (1) into the holes (4) on the housing.
- Push firmly into place.
- Using a screwdriver tighten the screw (3) and washer (2).

NOTE: Do not over tighten the screws.

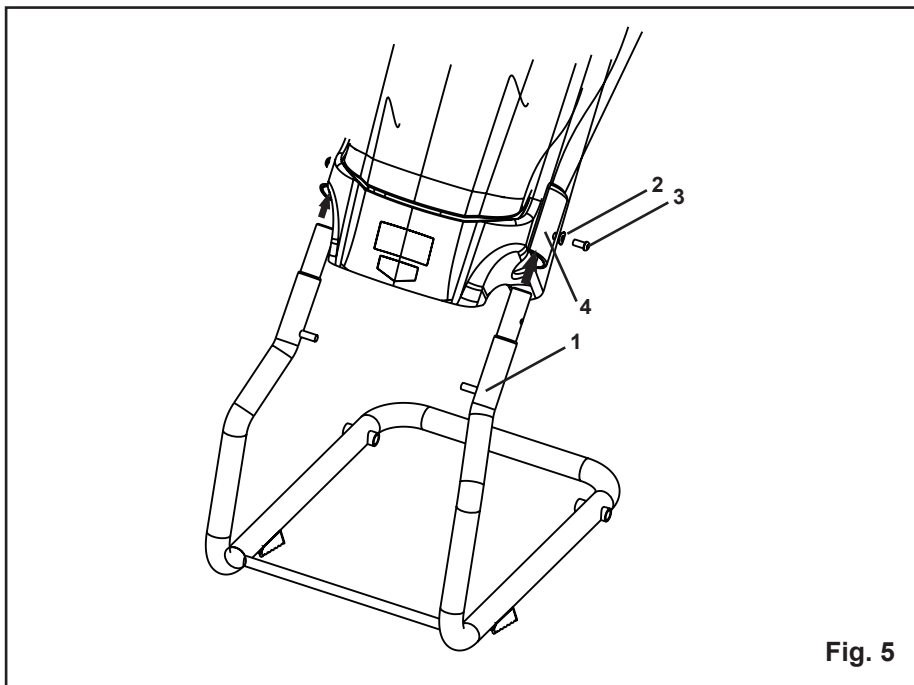


Fig. 5

OPERATION

STARTING AND STOPPING THE YARD CHIPPER (See Figure 6)

ON/OFF SWITCH:

The ON/OFF switch (1). A circuit breaker/reset button (2) is located beside the switch.

TO OPERATE THE CHIPPER:

- Plug the chipper into a properly grounded 3-prong outlet.
- Flip the switch (1) to the ON position. If the chipper does not start, flip the switch to the OFF position and press the reset button (2), then flip the switch to the ON position.
- Flip the switch (1) to the OFF position to turn off the chipper. Allow at least 5 seconds for the blade to stop rotating.

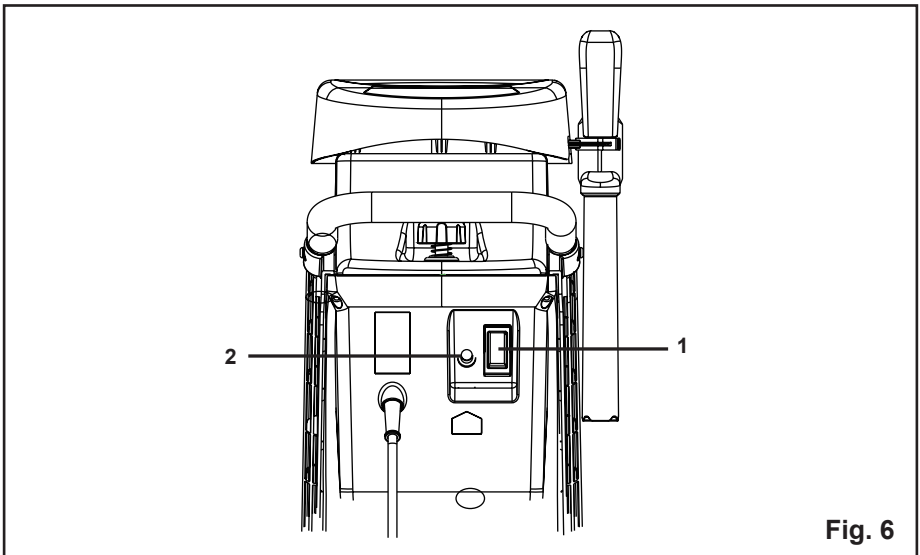


Fig. 6

⚠ WARNING

ALWAYS ALLOW 5 SECONDS OR MORE FOR THE BLADE TO STOP ROTATING AFTER TURNING OFF THE CHIPPER.

OPERATION

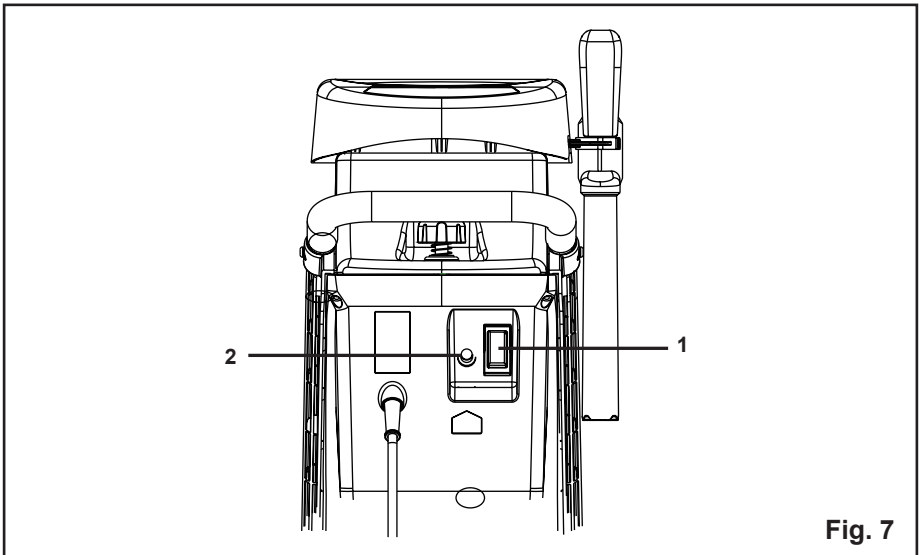
OVERLOAD PROTECTION (See Figure 7)

This yard chipper has a reset overload feature. The reset button will restart the motor after it shuts off due to overloading or low voltage. If the motor stops during operation:

- Turn the ON/OFF (1) switch to the OFF position.
- Wait about five minutes for the motor to cool.
- Push in on the reset button (2) .
- Turn the switch (1) to the ON position.

⚠ WARNING

TO PREVENT AN ACCIDENTAL START-UP IF THE RESET BUTTON IS PUSHED, THE ON/OFF SWITCH SHOULD BE IN THE OFF POSITION AND THE PLUG SHOULD BE REMOVED FROM THE POWER SOURCE WHILE COOL DOWN TAKES PLACE.



OPERATION

CHIPPING YARD WASTE (See Figure 8)

The chipper is designed to work on yard waste, debris, sticks and twigs up to 1-3/8" (35 mm) in diameter. The chipper material will accumulate directly on the ground under the chipper.

⚠ CAUTION

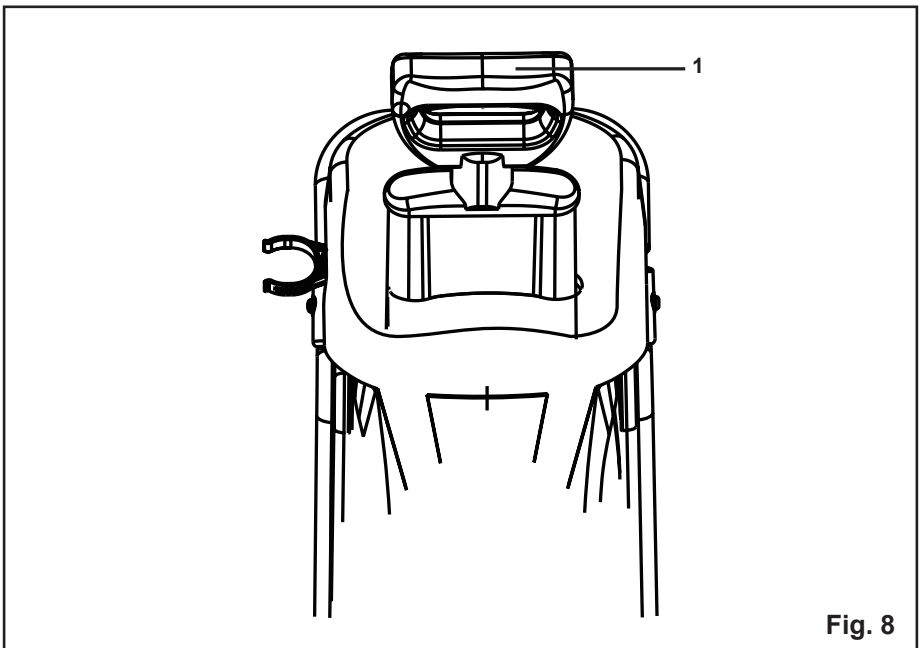
Do not attempt to chip material that exceeds the capacity of the chipper.

- Turn ON the chipper.
 - Place sticks in the narrow opening of the hopper. Do not place your hands inside the hopper.
 - Use the push paddle (1) only to help feed material into the hopper.
 - Turn the chipper OFF and allow it to come to a complete stop.
-

NOTE: This chipper is designed for dry material only. Never place green material into the chipper.

⚠ WARNING

DO NOT TRY TO CHIP ANY MATERIAL THAT EXCEEDS THE CAPACITY OF THIS TOOL. DOING SO MAY CAUSE THE MOTOR TO JAM AND OVERHEAT. NEVER PUT YOUR HANDS IN THE HOPPER OR NEAR THE BLADE WHEN THE TOOL IS RUNNING.



OPERATION

CONNECTING TO POWER SUPPLY (See Figure 9)

This product is designed with a cord lock that prevents the extension cord from being pulled loose during use.

- Form a loop with the end of the extension cord.
- Insert loop portion of extension cord through half moon shaped opening on the retainer and place over the rectangular tab on cord lock.
- Slowly pull loop against tab until all slack is removed.
- Plug product into extension cord.

NOTE: Failure to remove all excess cord slack from extension cord could result in plug loosening from receptacle.

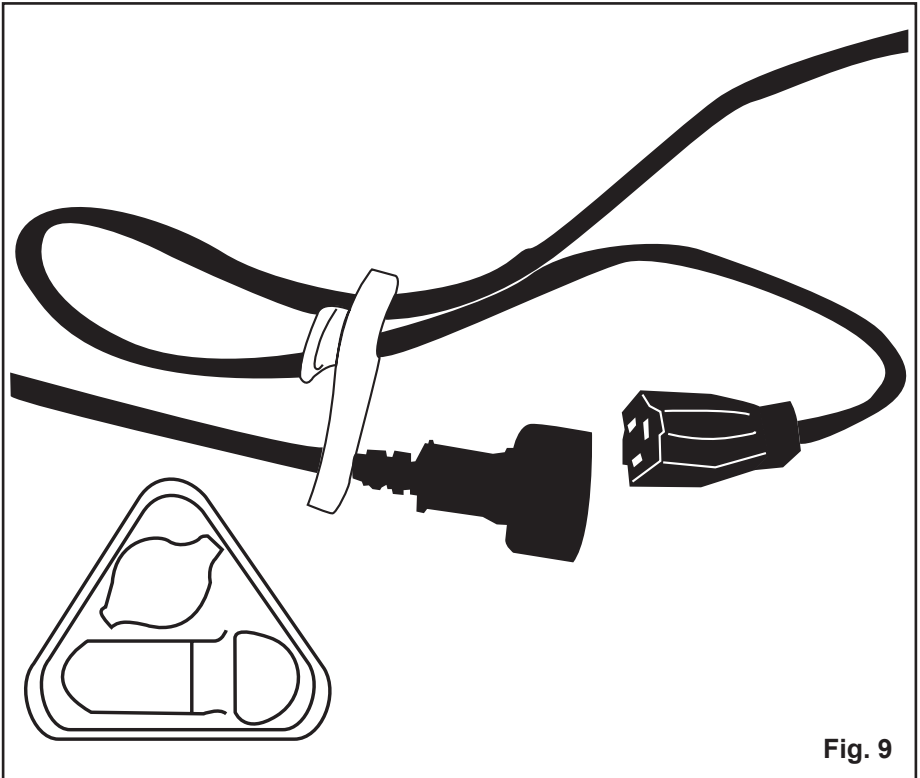


Fig. 9

MAINTENANCE

BLADE MAINTENANCE (See Figure 10)

⚠ WARNING

ALWAYS TURN OFF THE TOOL AND UNPLUG THE POWER CORD FROM THE OUTLET BEFORE MAINTAINING THE CHIPPER.

The chipper has two blades that are attached to a rotating support. When one side of a blade becomes dull, it can be turned to use the other side. Replace or properly sharpen dull blades.

REPLACE A BLADE

- Turn off the chipper and remove the plug from the outlet;
- Turn the upper housing's lock knob counterclockwise until the housing cover can be opened;
- Lift up the housing cover to expose the two blades (1);
- Using a metal pole like a screwdriver (2), put its front sides into the upper screw hole of the gear box through the blade gap of the blade support (4) to secure it and stop it from rotating;
- Use the 6mm "T" wrench (3) to loosen and remove the two screws (5) that hold each blade to the blade support;
- Take out the old blade. Either reinsert the blade with the sharp edge in position as the cutting surface or insert a replacement blade, and the same method to replace the other blade.
- Replace and tighten the two screws to secure the new blade to the support. Remove the blade nut (1), the square washer (2), the insulator washer (3), and the blade (4).

NOTE: Only for branch chipping, not for leaves or vines.

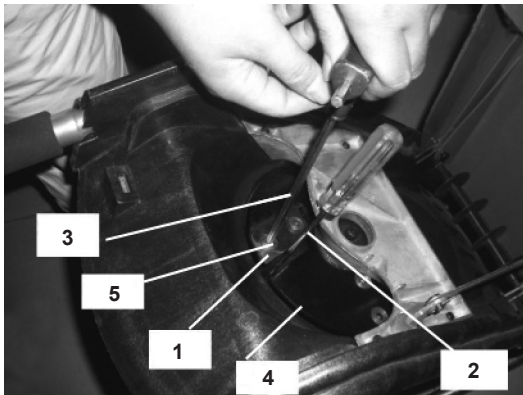


Fig. 10

MAINTENANCE

GENERAL MAINTENANCE

- Keep the chipper clean and in good repair for maximum performance and machine longevity.
- Before each use, inspect the switch and cord for damage.
- Check for damaged, missing, or worn parts. Check for loose screws, moving parts that are jammed or any other conditions that may affect the operation.
- If abnormal vibration or noise occurs, turn OFF the tool immediately and correct the problem before further use.
- Do not use the chipper until it is properly repaired or replaced.

CLEANING

WARNING

TO AVOID INJURY, ELECTRIC SHOCK, OR DAMAGE TO THE CHIPPER, NEVER ALLOW A LIQUID TO FLOW INSIDE THE TOOL.

- Wipe the outside of the chipper with a dry soft cloth.
 - Remove the hopper from the housing body before washing the inside of the hopper.
 - Do not hose down or wash the tool with water.
-

WARNING

TO AVOID DAMAGE OR ELECTRIC SHOCK, DO NOT USE STRONG SOLVENTS OR DETERGENTS ON THE PLASTIC HOUSING OR PLASTIC COMPONENTS. CERTAIN HOUSEHOLD CLEANERS MAY CAUSE DAMAGE AND MAY ALSO CAUSE A SHOCK HAZARD.

WARNING (PROPOSITION 65)

Some dust created by power sanding, sawing, grinding, drilling and other construction activities contains chemicals known to the state of California to cause cancer, birth defects or other reproductive harm. Some examples of these chemicals are:

- Lead from lead-based paints,
- Crystalline silica from bricks and cement and other masonry products, and
- Arsenic and chromium from chemically-treated lumber.

Your risk from these exposures varies, depending on how often you do this type of work. To reduce your exposure to these chemical: work in a well ventilated area, and work with approved safety equipment, such as those dust masks that are specially designed to filter out microscopic particles.

LIMITED FOUR-YEAR WARRANTY



GREENWORKS™ hereby warrants this product, to the original purchaser with **proof of purchase**, for a period of four (4) years against defects in materials, parts or workmanship. GREENWORKS™, at its own discretion will repair or replace any and all parts found to be defective, through normal use, free of charge to the customer. This warranty is valid only for units which have been used for personal use that have not been hired or rented for industrial/commercial use, and that have been maintained in accordance with the instructions in the owners' manual supplied with the product from new.

ITEMS NOT COVERED BY WARRANTY:

1. Any part that has become inoperative due to misuse, commercial use, abuse, neglect, accident, improper maintenance, or alteration; or
2. The unit, if it has not been operated and/or maintained in accordance with the owner's manual; or
3. Normal wear, except as noted below;
4. Routine maintenance items such as lubricants, blade sharpening;
5. Normal deterioration of the exterior finish due to use or exposure.

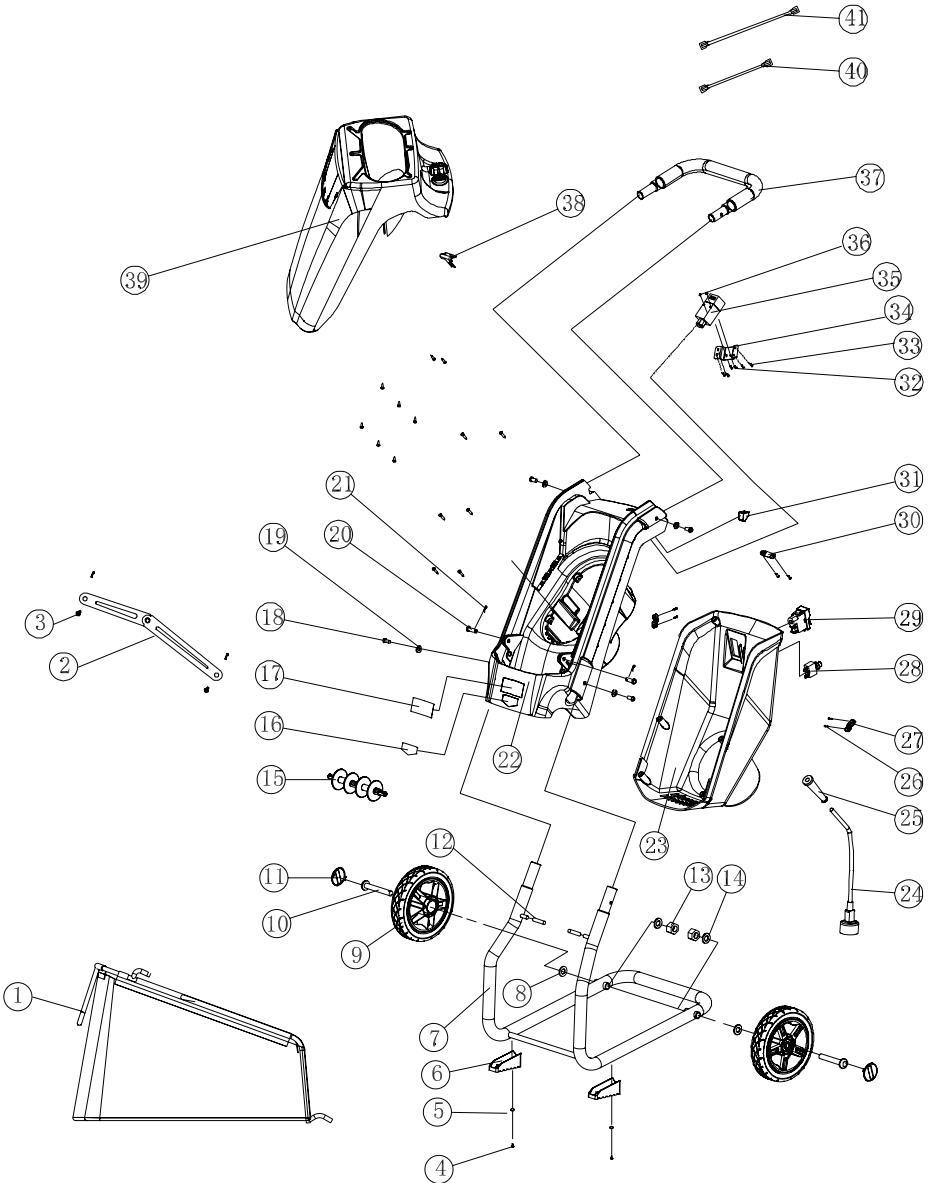
GREENWORKS HELPLINE (1 888 90WORKS):

Warranty service is available by calling our toll-free helpline, 9 a.m. to 5 p.m. EST. Monday – Friday at **1 888 909 6757 (1 888 90WORKS)**.

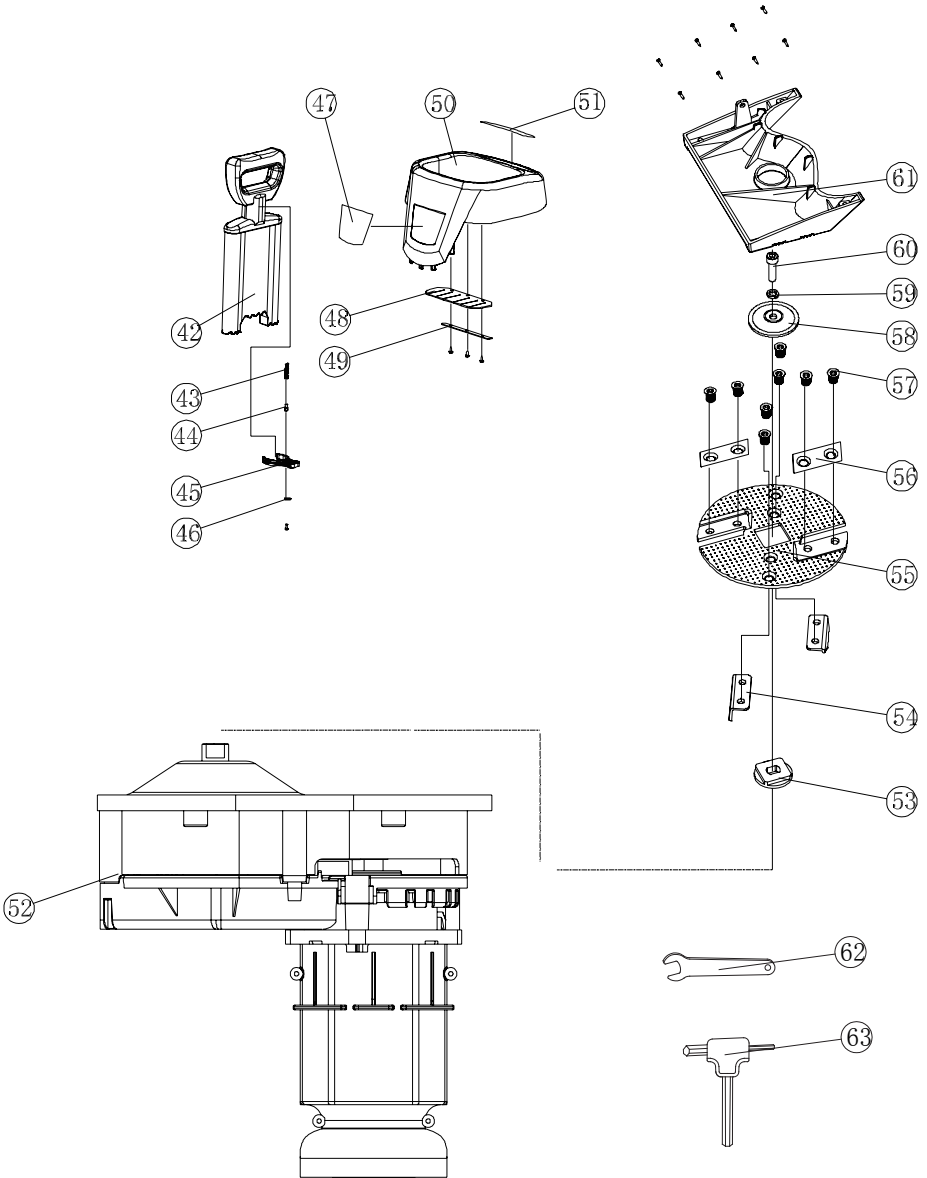
TRANSPORTATION CHARGES:

Transportation charges for the movement of any power equipment unit or attachment are the responsibility of the purchaser. It is the purchaser's responsibility to pay transportation charges for any part submitted for replacement under this warranty unless such return is requested in writing by GREENWORKS.

EXPLODED VIEW



EXPLODED VIEW



PARTS LIST

ITEM NO.	PART NO.	DESCRIPTION
1		Collector bag assembly
1.1	1722001	Collector bag
1.2	1721001	Collector bag support
2		Tie bar assembly
2.1	1721003	2tie bar 2
2.2	1721004	1tie bar 1
2.3	0011059	Rivet
3	1721002	Small swivel pin
4	0011017	Bolt
5	0011048	Flat washer
6	1722002	Leg stand base
7	1721006	Leg stand
8	0011044	Flat washer
9	1723001	7" wheel
10	1721007	Axle
11	1722003	7" wheel cover
12	1722004	Leg stand bushing
13	0011045	Lock nut
14	0011046	Flat washer
15	1722005	Rolling wheel
16	1722006	Label 1
17	1722007	Label 2
18	0011047	Bolt
19	1721005	Flat washer
20	1721008	Big swivel pin
21	0011049	R pin
22	1722008	Front housing
23	1722009	Bottom housing
24	1734001	Power cord
25	1722010	Power cord sheath
26	0011002	Bolt
27	1722011	Cord clamp plate
28	1734002	Overload protector
29	1734003	Electromagnetism switch
30	0172109	Nut clamp plate
31	1721010	Lock nut
32	0011050	Bolt
33	0011052	Bolt
34	1721011	Fixable support
35	1734004	Safe switch
36	0011016	Nut

PARTS LIST

ITEM NO.	PART NO.	DESCRIPTION
37		Upper handle assembly
37.1	1721012	Upper handle
37.2	1722012	Upper handle sponge
38	1721017	Switch retaining patch
39		Upper housing
39.1	1722020	Knob
39.1.1	1721020	Knob mount
39.2	1721018	Washer
39.3	0011051	Flat washer
39.4	1721019	Knob spring
40	1734005	Lead cord
41	1734006	Lead cord
42	1721013	Holder washer
43	1722014	Flat push sticker holder
44	1721014	Bulb
45	1721015	(holder) Spring
46	1722015	Flat push sticker
47	1721016	Clamp block
48	1722016	Flap
49	1722017	Label3
50	1722018	Feeder hopper
51	1722019	Label4
52		Motor drive assembly
52.1	1722021	Upper gearbox cover
52.2	0011053	Bolt
52.3	0011056	Spring check ring
52.4	1721028	Motor fan blade
52.5	0011057	Bolt
52.6	0011039	Spring washer
52.7	0011033	Flat washer
52.8	1722022	Motor back support
52.9	1734007	Stator assembly (include carbon brush)
53	0011058	Washer
53.1	0011060	Bearing
53.2	0011061	Spring check ring
53.3	1721029	Ecarbon brush spring
53.4	1734009	Armature
53.5	1721030	Bearing clamp plate
53.6	0011020	Bolt
53.7	0011062	Bearing
53.8	1722023	Left motor housing

PARTS LIST

ITEM NO.	PART NO.	DESCRIPTION
53.9	1721031	Small belt wheel
54	0011019	Screw
54.1	1722024	Right motor housing
54.2	1722025	Insulated baffle
54.3	0011063	Screw
54.4	0011064	Spring washer
54.5	1721032	Down gearbox cover
54.6	0011065	Bearing
54.7	1723003	Big belt wheel
54.8	1721033	Main shaft of big belt wheel
54.9	1722026	Belt
55	1721021	Drive block
56	1721022	Blade plate
57	1721023	Blade plate
58	1721024	Blade
59	1721025	Screw
60	1721026	Clamp block
61	0011054	Spring washer
62	0011055	Screw
63	1721027	Blade cover plate



TOLL-FREE HELPLINE: 1-888-90WORKS (888.909.6757)

Rev: 01 (01-27-2010)

 Printed in China on 100% Recycled Paper