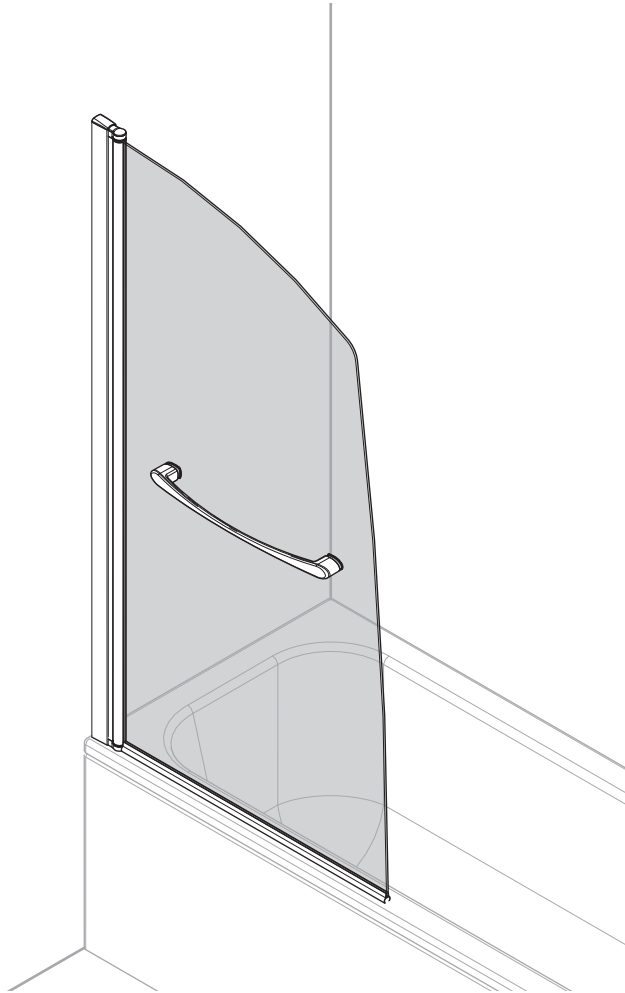


IN00379 (rev A)

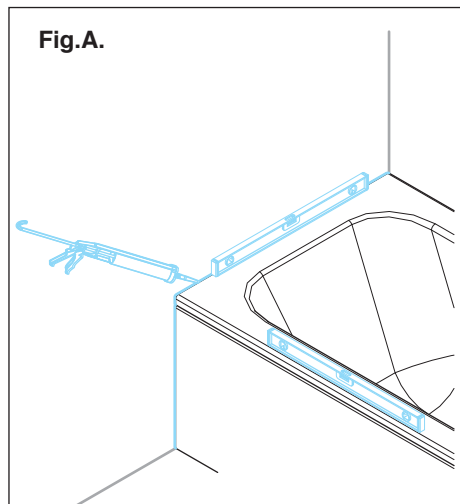
Bath Screen

- Instruction suitable for both Right and Left Hand Fixing
- Instruction suitable for Square, Sail, Oval and Radius Variants



Before You Start

- Check that the bath has been installed correctly and that it is level (Fig. A), tiled down onto and sealed to the manufacturer's guidelines. **Please Note:** All product supplied without bath.
- Check that there is sufficient space on the bath for the product and that the screen movement does not foul other items such as sinks and taps.
- Ensure the product is fitted to a non-porous surface ie. tiled. Check that the wall surface is flat.
- Unpack and check the product is complete and undamaged.
- Fixings are supplied for solid walls only. Ensure that the correct fixings are used for the wall type – if in doubt seek professional advice
- Ensure the area is clean, dry and dust free.
- Read the instructions in full.
- Have the correct tools available, (as shown below, see 'Tools Required').



Safety

- Handle all glass with care - support on cardboard to avoid risk of breakage.
- This product is heavy and requires 2 people to carry and install it.
- When drilling walls check first for hidden pipes and cables.
- All glass is toughened – it cannot be reworked or replaced by ordinary glass.
- Use safety eyewear when drilling.
- Use safety eyewear when handling glass.
- Keep all small parts away from children.

Disclaimer

- Please notify the retailer immediately of any damage or faults. The manufacturer cannot be held responsible for any installation costs that may arise from damaged or faulty product being installed.
- Please dispose of all packaging with due regard to the environment.

Tools Required (not supplied)

<p>Spirit Level</p>	<p>Screwdriver</p>	<p>Tape Measure</p>	<p>Pencil</p>	<p>Utility Knife</p>
<p>Junior Hacksaw</p>	<p>Silicone Gun & Sealant</p>	<p>Power Drill</p>	<p>Suitable Drill Bits</p> <p>6mm dia. *</p> <p>3mm dia. HSS</p>	<p>* Ensure drill bit used is suitable for wall surface</p>



Help Line: 0870 241 6131

Lines open: 8.30am - 5.00pm Monday to Friday
Standard National call charge rate from BT landlines

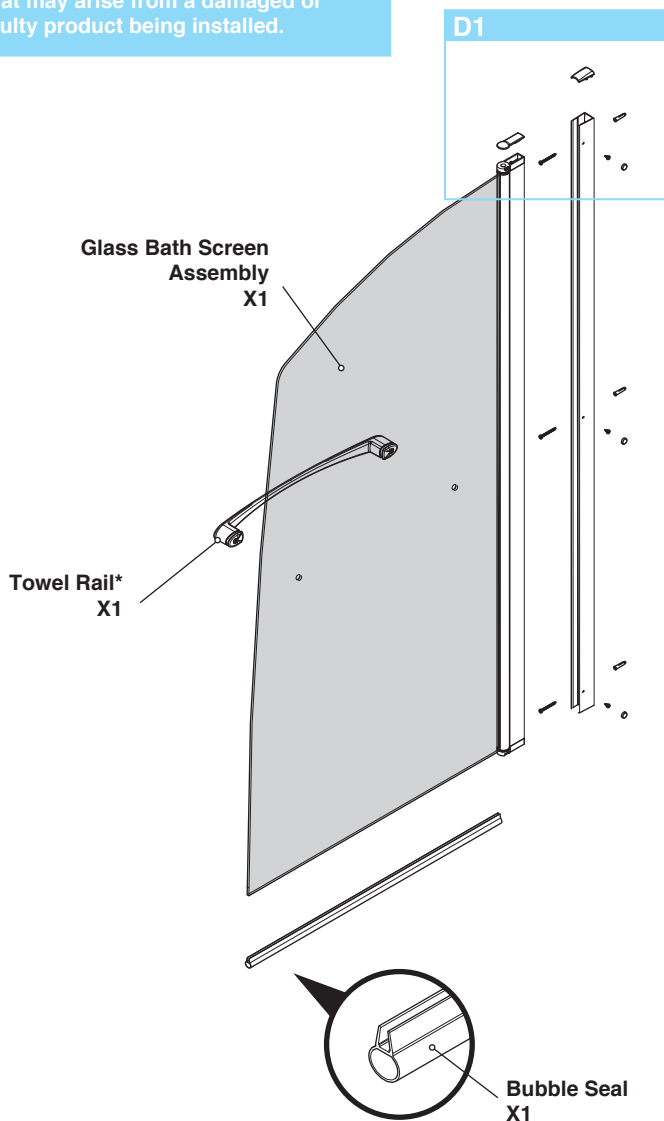
Parts & Fittings Supplied



Please notify the retailer immediately of any damage or faults. The manufacturer cannot be held responsible for any installation costs that may arise from a damaged or faulty product being installed.

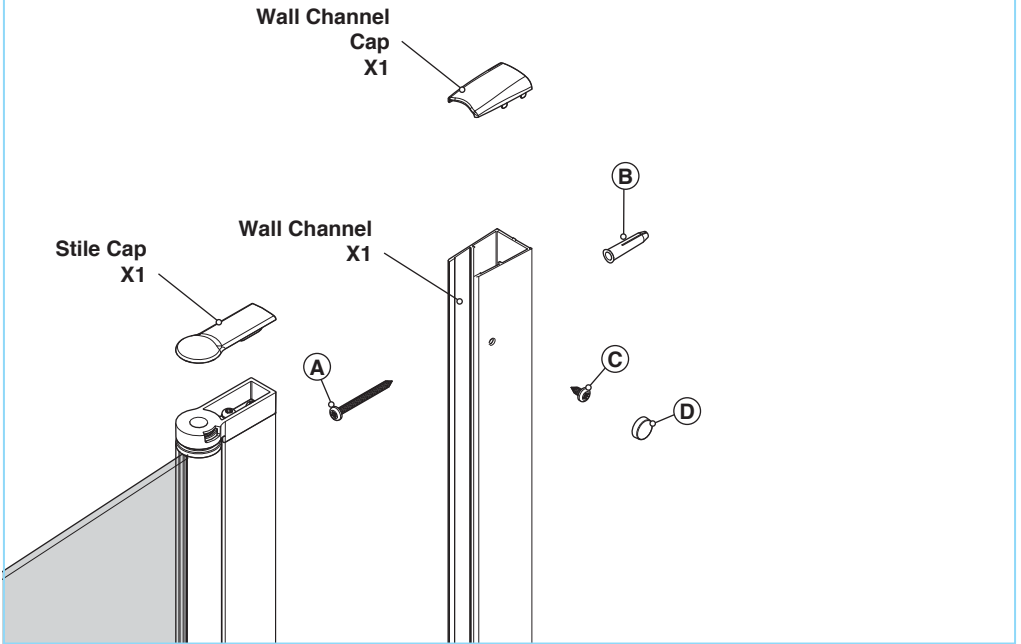


Keep small parts away from children

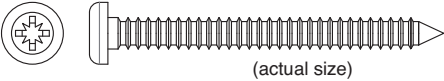


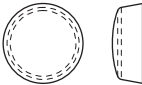


Please Note: Towel Rail design may vary.

D1

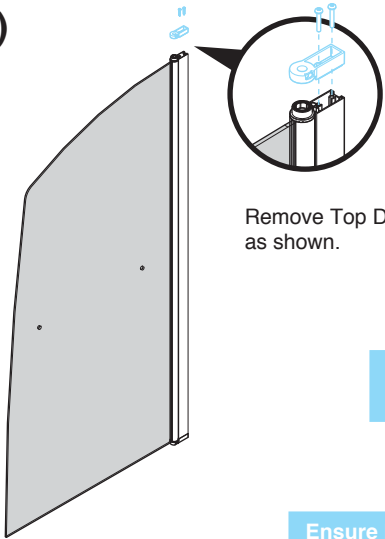


Loose Screws & Fittings Supplied

(A)	No.8 x 1 3/4" Pan Head Pozi Screws	 (actual size)	Qty x3
(B)	Wall Plugs	 (actual size)	Qty x3
(C)	No.8 x 3/8" Pan Head Pozi Screws	 (actual size)	Qty x3
(D)	Screw Cover Caps	 (actual size)	Qty x3

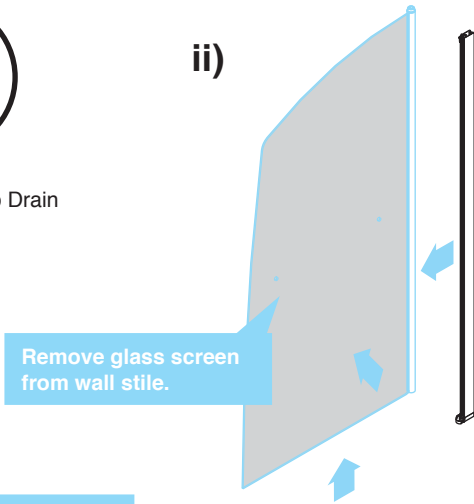
Important Note: Ensure that Drain holes are always facing inwards.
If Glass Screen is positioned with the drain holes not facing inwards, please adjust glass screen as detailed.

i)



Remove Top Drain
as shown.

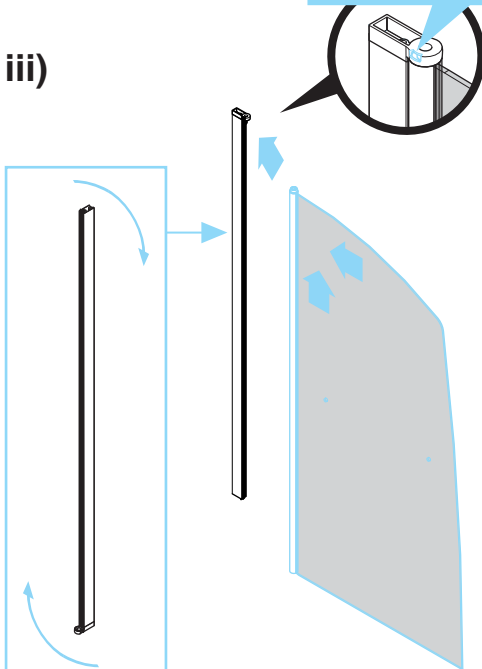
ii)



Remove glass screen
from wall stile.

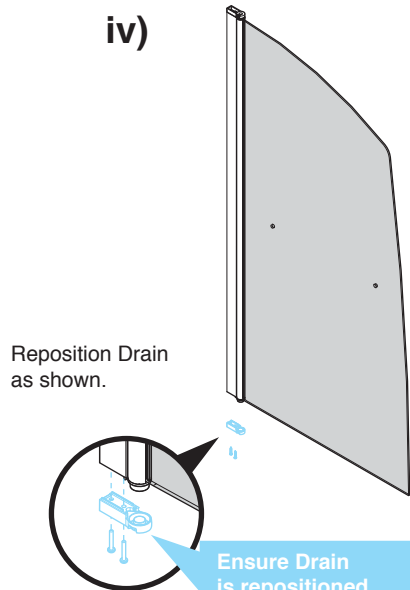
Ensure Drain
now at top is
facing INWARDS.

iii)



Rotate Wall
Stile

iv)



Reposition Drain
as shown.

Ensure Drain
is repositioned
facing INWARDS.

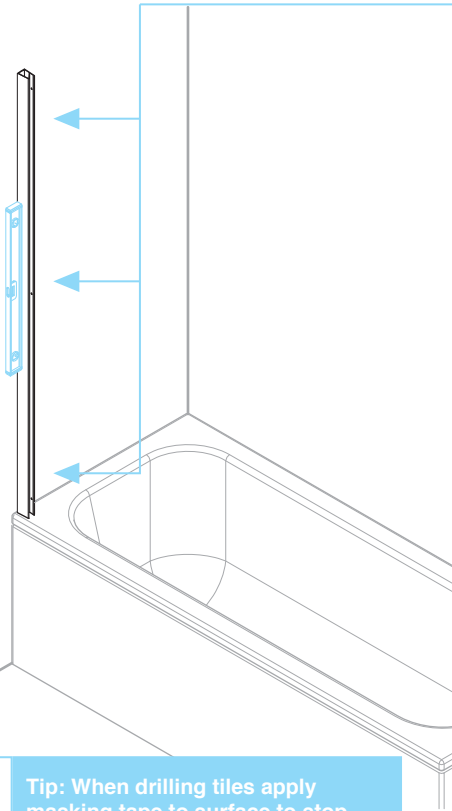


Wall plugs supplied are for solid walls only. Ensure correct wall plug for wall type is used. If in doubt seek professional advice.



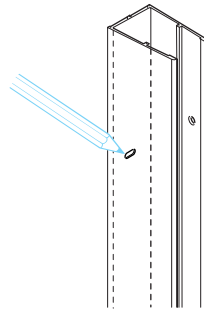
Position wall channel on wall. Ensure channel is vertically level and does not overhang the bath.

1



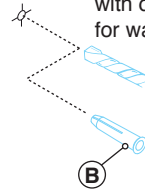
Tip: When drilling tiles apply masking tape to surface to stop drill bit slipping.

1.1



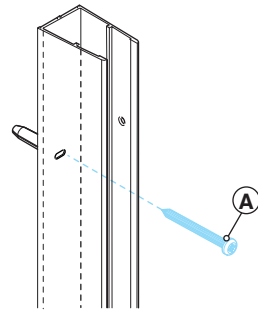
Mark position of pre-drilled channel holes.

1.2



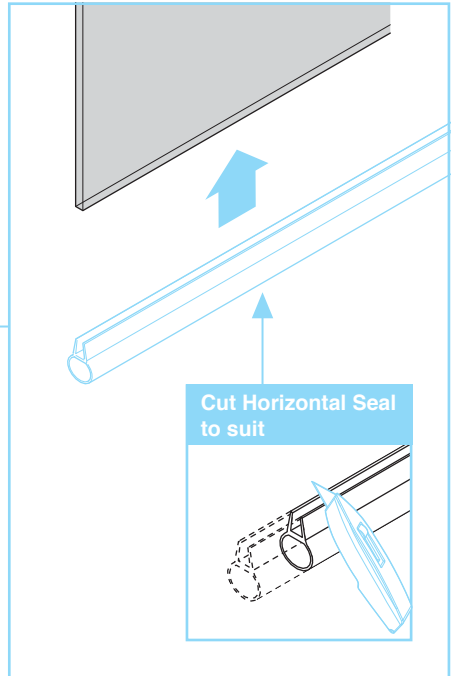
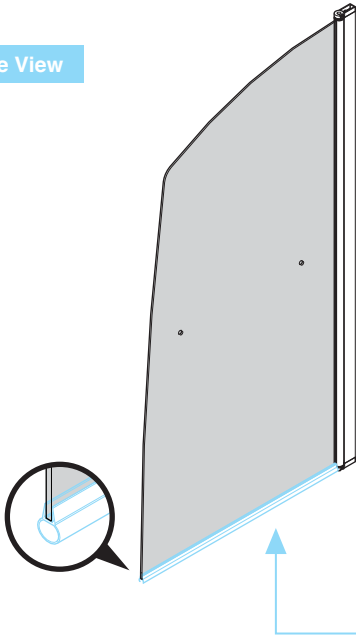
6mm dia. holes with drill bit suitable for wall surface.

1.3



Inside View

2



Tip:
Push fit Bubble Seal, start in the corner and work the seal across the Glass Panel.

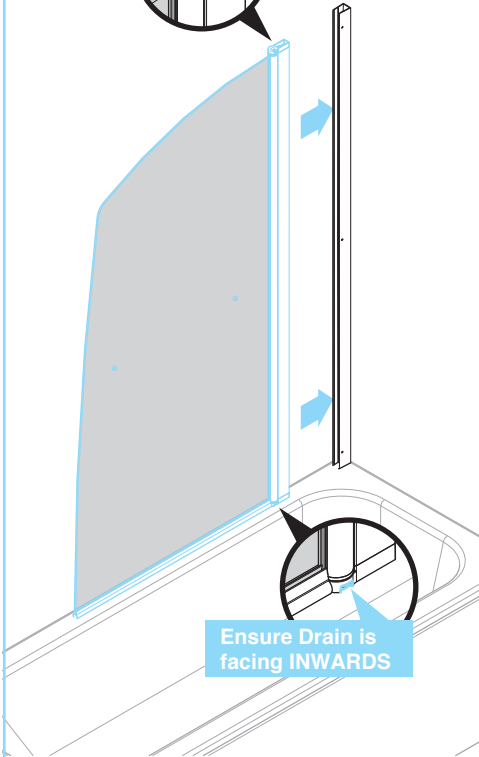


Cut Bubble Seal length to suit.

Inside View

3

Ensure Drain is facing INWARDS



Ensure Drain is facing INWARDS



Handle unframed glass with care - support on cardboard to avoid risk of breakage.

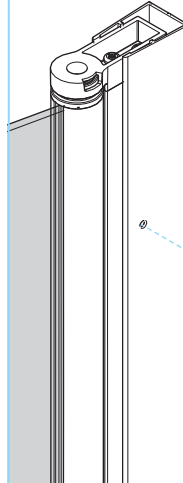


Ensure drain holes are facing INWARDS. If not, please back to page 5 to change Bath Screen handing. Drain holes must be facing inwards as shown.



Ensure Glass Screen is Level.

Inside View



*3mm dia. holes through pre-drilled holes using HSS drill bit.

4.1*

4.2

C

4.3

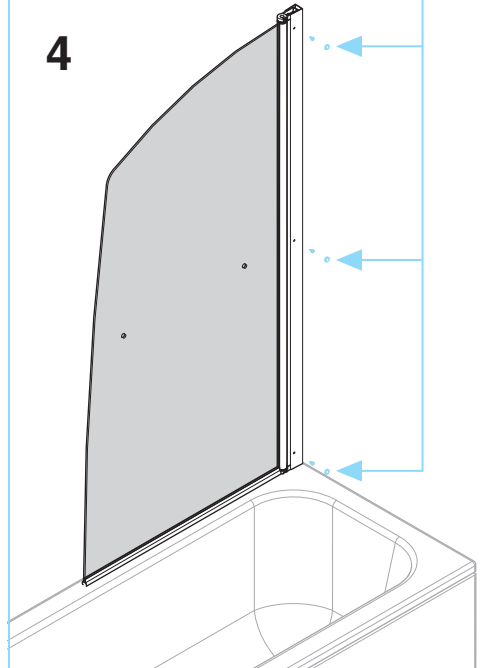
D



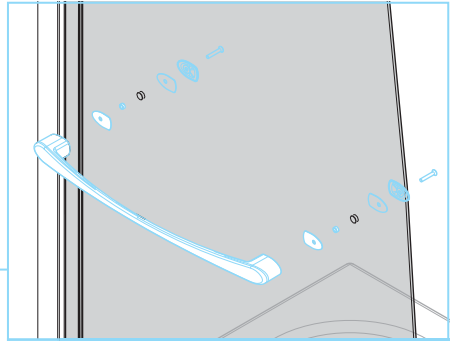
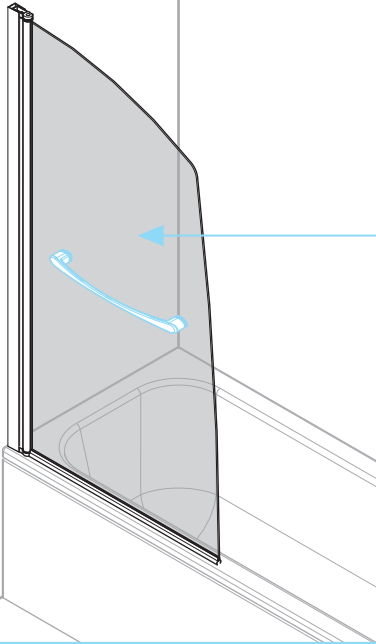
Ensure Bath Screen is level prior to fixing, adjust to suit.

Inside View

4



5

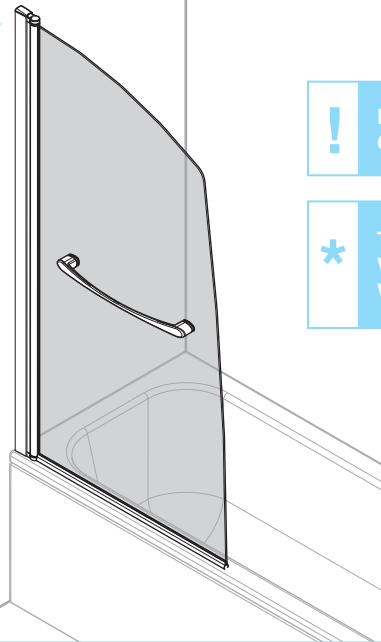
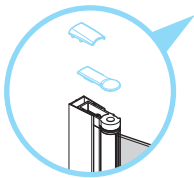


Please Note:
Towel Rail is supplied assembled.
Disassemble part and then
reassemble onto Glass Panel as
shown.



Please Note:
Towel Rail design may vary.

6

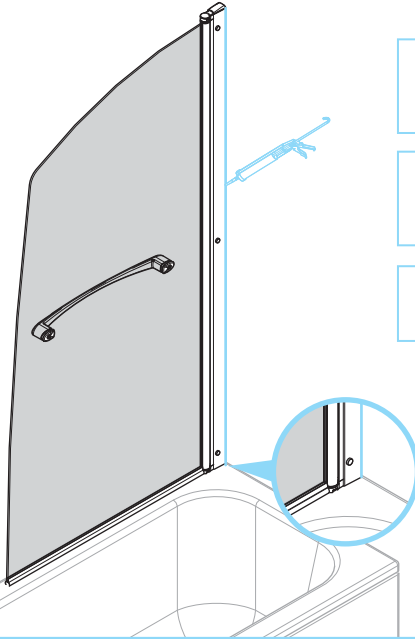


Push fit Stile Cap and Wall
Channel Cap into position.



Take Care not to let Stile Cap or
Wall Channel Cap slip down the
Wall Channel.

7



Apply Silicone Sealant vertically between Wall Channel and Wall only.

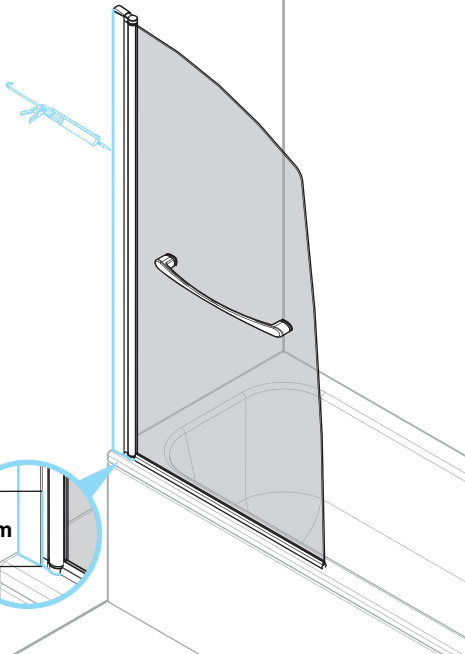


DO NOT apply Silicone Sealant around drain hole. Ensure drain hole is clear.



Apply Silicone Sealant, (not supplied).

8



Product Care:
Use a non abrasive cleaner. Water marks may be removed with a proprietary limescale remover or household vinegar.



Apply Silicone Sealant, (not supplied).



150mm

Notes:

Notes: