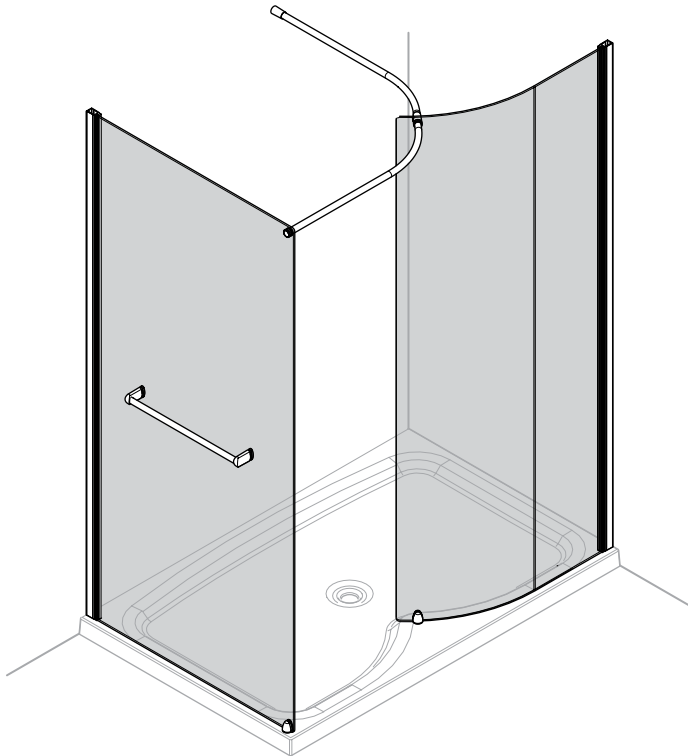


IN00269 (rev C)

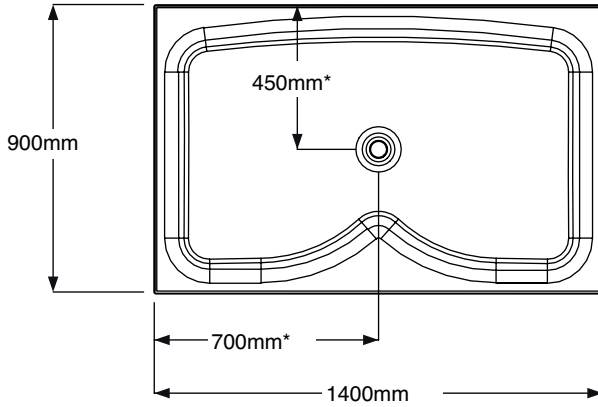
# Walk In

- Instruction suitable for both Right and Left Hand fixing variations.

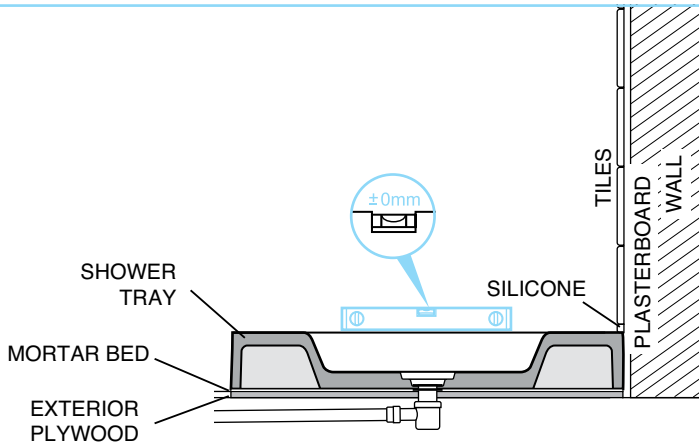


**WARNING: These Shower Trays are fragile! HANDLE WITH CARE**  
Check you have the correct handed Shower Tray before you start.

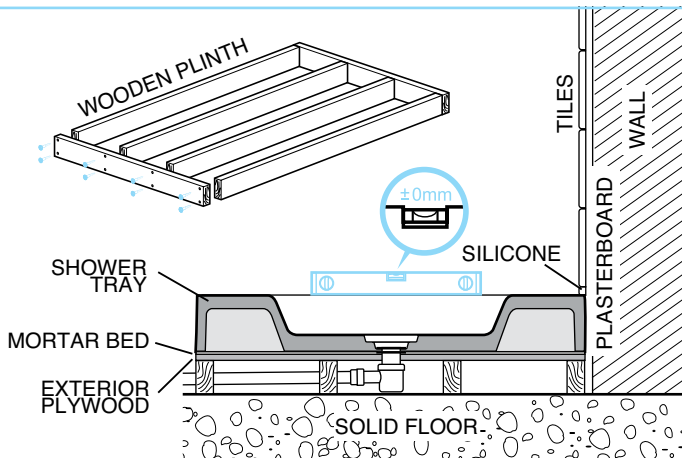
- The shower tray should be protected with cardboard, cloth or other similar soft material whilst work is in progress.
- It is essential that the shower tray is installed with the edges level and totally supported to prevent movement or rocking when used.
- Remove the protective film and check all surfaces for chips, marks or cracks. Once the product installation has commenced the manufacturer can take no responsibility for damage to the product, with the exception of porosity.
- Place the shower tray on a flat surface and check that it is not twisted, and that the Walk-in shower panel(s) will sit on the surface when fitted.
- Please note: The tray needs to be fitted directly to a solid floor, or alternatively onto 12mm (1/2") thick exterior plywood, which can either be surface mounted or inlaid to joist level for suspended floors, see diagram 1.
- Stone or cement floors, see diagram 2: A wooden plinth to suit base of the shower tray should be built. Ensure that the depth is adequate to accommodate the waste trap. Secure a piece of 20mm exterior plywood of a suitable size to the top of the plinth.
- Set up the tray and carefully mark a circle through the waste outlet hole with a pencil.
- Remove the tray and cut a suitable sized hole to take the waste trap fitment. Make certain that neither the waste pipe nor trap will be obstructed as this may cause leakage. Care should be taken to keep the size of the hole to a minimum, so as to maximise an even loading over the base of the tray.
- Fit the waste trap, using silicone sealant and PTFE tape where applicable.
- Mix a stiff 5/1 composition of sand and cement mortar, or use ready mixed sand and cement, prepared to manufacturers instructions and spread it evenly over the area that the base of the tray will sit.
- Place tray onto mortar bed, then using a spirit level make sure it is absolutely level, see diagrams 1 & 2.
- Connect the waste pipe, and then water test the tray and pipe connection.
- When tiling down to the tray, leave a 3 - 4mm gap to allow a good sized silicone sealing bead. Use a waterproof tile adhesive and anti-fungicidal grout.
- Alternatively, use a cladding solution, fitted to the manufacturer's recommendations.
- Make sure that the surfaces are clean, dry and dust free then generously seal the joint between the tray and tiles/cladding with an anti-fungicidal silicone.
- **A COMPLETE WATERTIGHT SEAL IS ESSENTIAL AS ANY LEAKAGE COULD DAMAGE THE FLOOR OR PLYWOOD SUPPORT.**
- **Wait 24 hours before standing on the tray, to allow the mortar to fully set and the silicone to cure.**
- Wooden support plinth (diagram 2) - When the shower tray has been installed we recommend that the faces of the plinth are fully tiled.
- **CLEANING AND GENERAL CARE** – Clean the tray with soapy water using a soft, bristle brush for the crevices, then rinse and dry. Finish off with a soft clean towel. Avoid all abrasives and harsh detergents.



1.



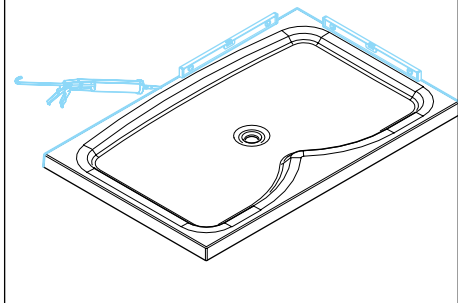
2.



## Before You Start

- Check that the tray has been installed correctly and that it is level (Fig. A), tiled down onto and sealed to the manufacturer's guidelines. **Please Note:** Refer to pages 2-3 for details of tray installation.
- Ensure the product is fitted to a non-porous surface ie. tiled. Check that the wall surface is flat.
- Unpack and check the product is complete and undamaged.
- Fixings are supplied for solid walls only. Ensure that the correct fixings are used for the wall type – if in doubt seek professional advice.
- Ensure the area is clean, dry and dust free.
- Read the instructions in full.
- Have the correct tools available, (as shown below, see 'Tools Required').

Fig.A.




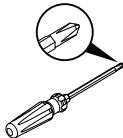
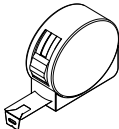
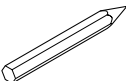
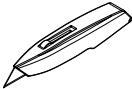
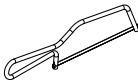
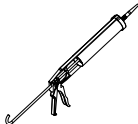
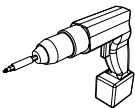
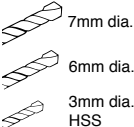
## Safety

- Handle all glass with care - support on cardboard to avoid risk of breakage.
- This product is heavy and requires 2 people to carry and install it.
- When drilling walls check first for hidden pipes and cables.
- All glass is toughened – it cannot be reworked or replaced by ordinary glass.
- Use safety eyewear when drilling.
- Use safety eyewear when handling glass.
- Keep all small parts away from children.

## Disclaimer

- Please notify the retailer immediately of any damage or faults. The manufacturer cannot be held responsible for any installation costs that may arise from damaged or faulty product being installed.
- Please dispose of all packaging with due regard to the environment.

## Tools Required (not supplied)

<p>Spirit Level</p> 	<p>Screwdriver</p> 	<p>Tape Measure</p> 	<p>Pencil</p> 	<p>Utility Knife</p> 
<p>Junior Hacksaw</p> 	<p>Silicone Gun &amp; Sealant</p> 	<p>Power Drill</p> 	<p>Suitable Drill Bits</p>  <p>7mm dia. 6mm dia. * 3mm dia. HSS</p>	<p>* Ensure drill bit used is suitable for wall surface</p>



Help Line: 0870 241 6131

Lines open: 8.30am - 5.00pm Monday to Friday  
Standard National call charge rate from BT landlines

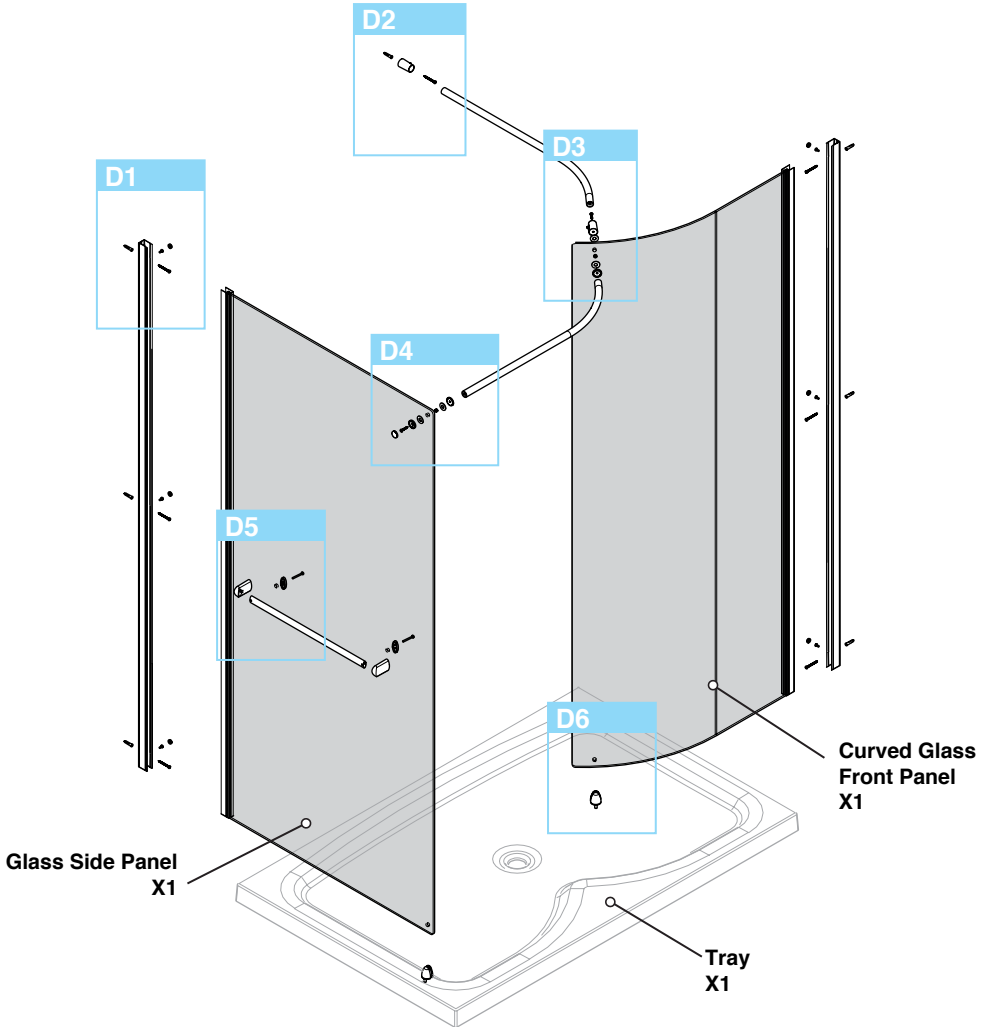
# Parts & Fittings Supplied



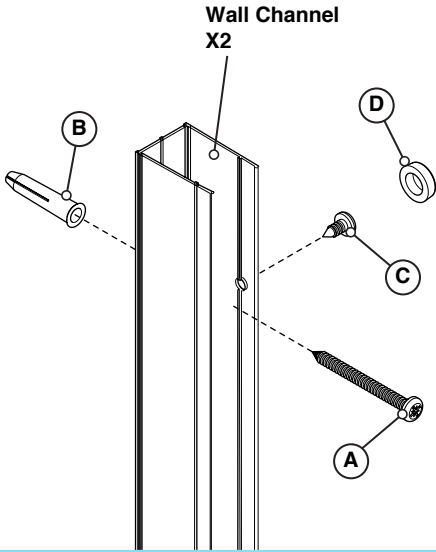
Please notify the retailer immediately of any damage or faults. The manufacturer cannot be held responsible for any installation costs that may arise from a damaged or faulty product being installed.



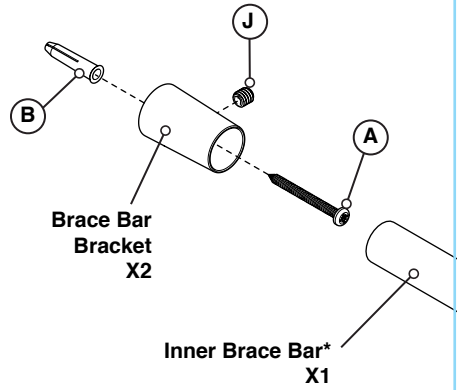
Keep small parts away from children



D1

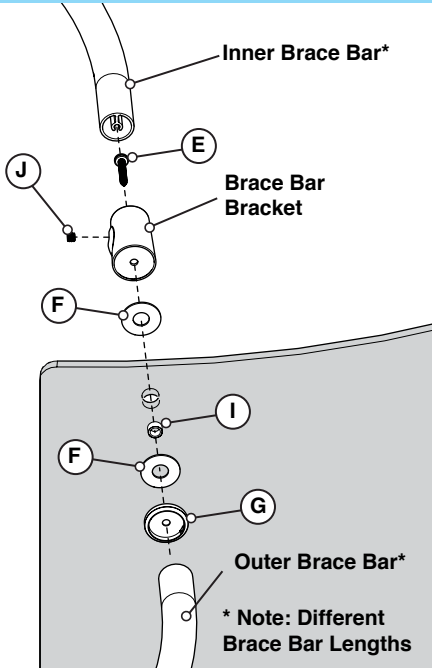


D2



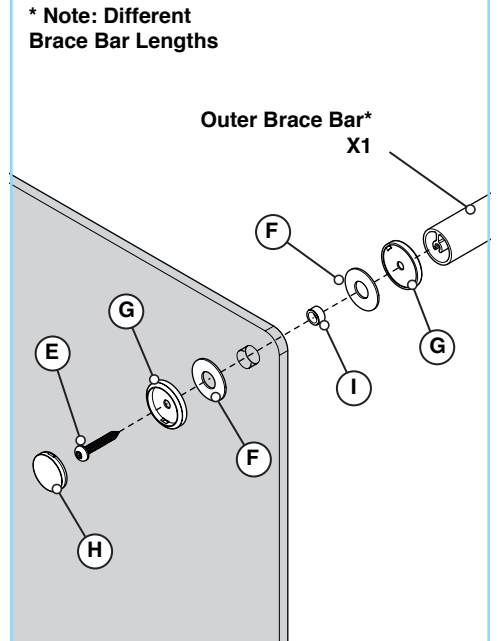
\* Note: Different Brace Bar Lengths

D3



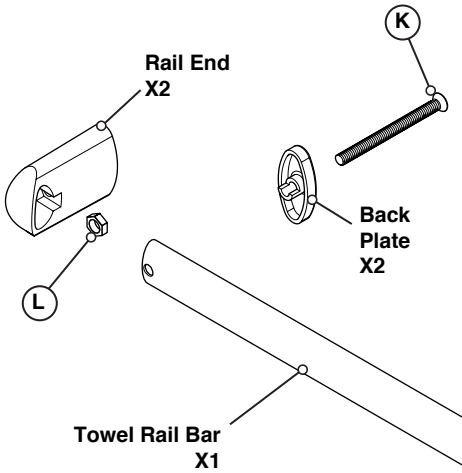
\* Note: Different Brace Bar Lengths

D4

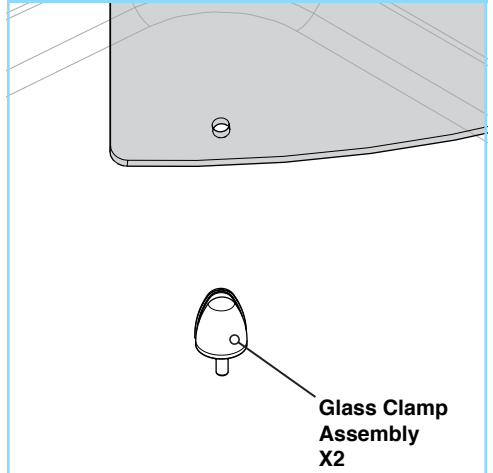


\* Note: Different Brace Bar Lengths

D5

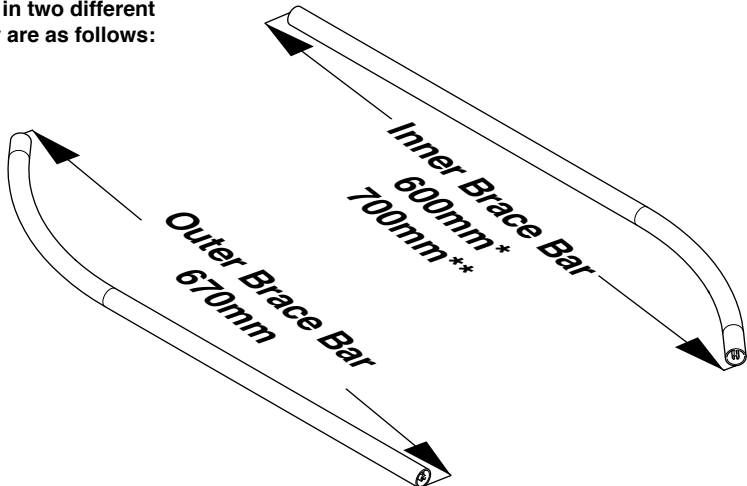


D6



## Please Note: Bar Variants

Inner Brace Bar (shown D2) and Outer Brace Bar (shown D4) are identified in two different lengths. They are as follows:



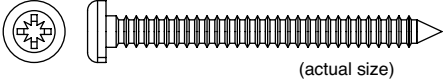
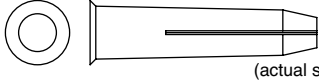
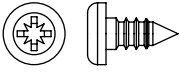

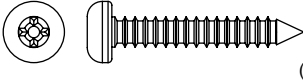
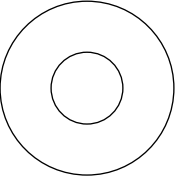
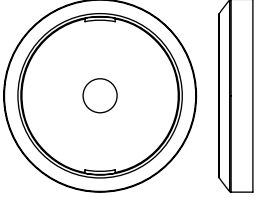
Please Note:

\* 1400 x 800 Walk-In

\*\* 1400 x 900 Walk-In

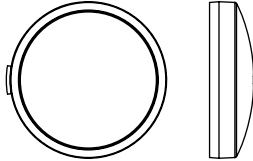




Ensure correct Brace Bar is used.

# Loose Screws & Fittings Supplied

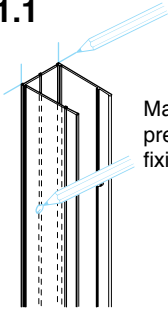
<b>(A)</b>	No.8 x 1 $\frac{3}{4}$ " Pan Head Pozi Screws	 (actual size)	Qty <b>x7</b>
<b>(B)</b>	Wall Plugs	 (actual size)	Qty <b>x7</b>
<b>(C)</b>	No.8 x $\frac{3}{8}$ " Pan Head Pozi Screws	 (actual size)	Qty <b>x6</b>
<b>(D)</b>	Screw Snap Cap	 (actual size)	Qty <b>x6</b>
<b>(E)</b>	No.8 x 1" Pan Head Pozi Screws	 (actual size)	Qty <b>x2</b>
<b>(F)</b>	Bearing Glass Pad	 (actual size)	Qty <b>x4</b>
<b>(G)</b>	Glass Pad Bracket	 (actual size)	Qty <b>x3</b>



# Loose Screws & Fittings Supplied

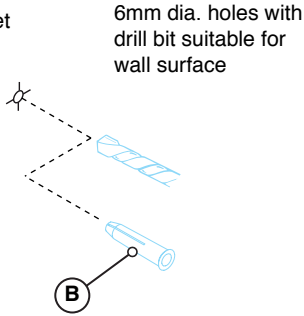
<p><b>(H)</b></p>	<p>Brace Bar Cover Cap</p>	 <p>(actual size)</p>	<p>Qty</p> <p><b>x1</b></p>
<p><b>(I)</b></p>	<p>M5 Screw Bushing</p>	 <p>(actual size)</p>	<p>Qty</p> <p><b>x2</b></p>
<p><b>(J)</b></p>	<p>M5 x 5 Socket Set Grub Screw</p>	 <p>(actual size)</p>	<p>Qty</p> <p><b>x2</b></p>
<p><b>(K)</b></p>	<p>M5 x 60 Csk Machine Screws</p>	 <p>(actual size)</p>	<p>Qty</p> <p><b>x2</b></p>
<p><b>(L)</b></p>	<p>M5 Nut</p>	 <p>(actual size)</p>	<p>Qty</p> <p><b>x2</b></p>

1.1



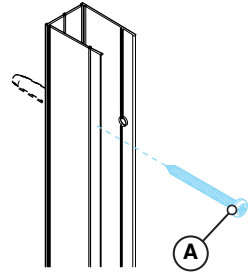
Mark position of pre-drilled bracket fixing hole

1.2

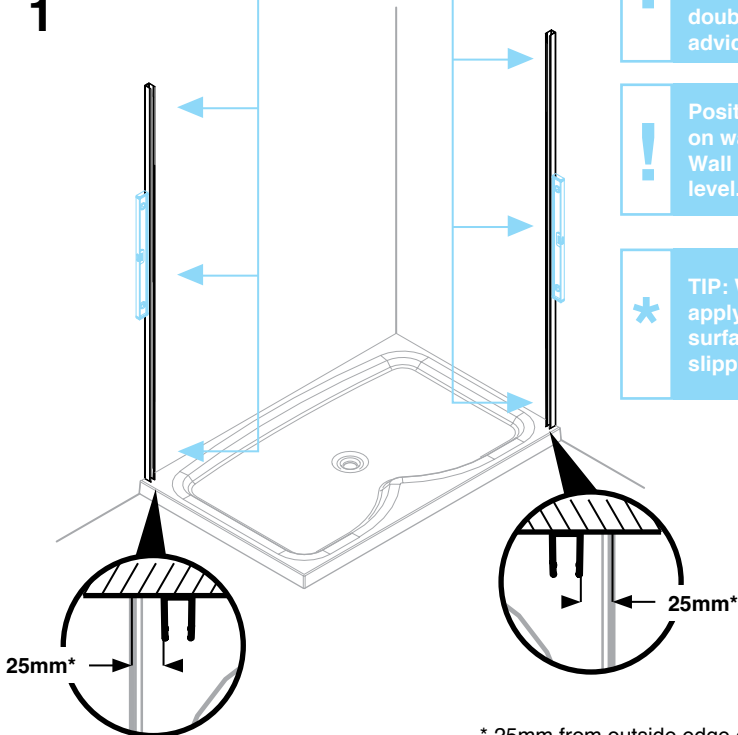


6mm dia. holes with drill bit suitable for wall surface

1.3



1



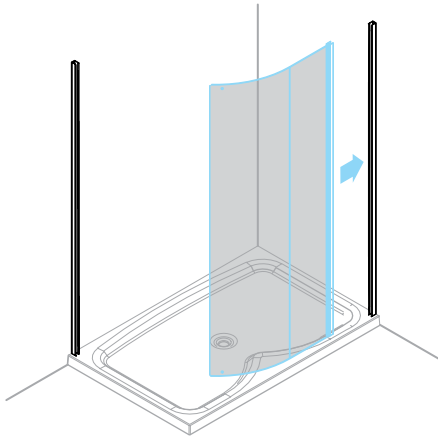
! Wall plugs supplied are for solid walls only. Ensure correct wall plug for wall type is used. If in doubt seek professional advice.

! Position Wall Channel on wall as shown ensure Wall Channel is fixed level.

\* TIP: When drilling tiles apply masking tape to surface to stop drill bit slipping.

\* 25mm from outside edge of Tray to outside edge of wall channel

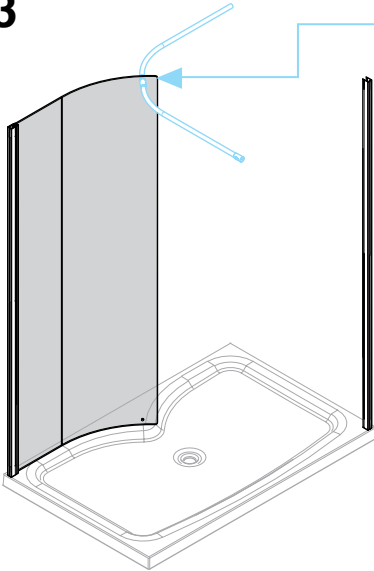
2



**!** Positioned Curved Glass Front Panel into Wall Channel as shown. DO NOT fix at this stage.

Inside View

3



**!** Ensure correct Brace Bar type is used.

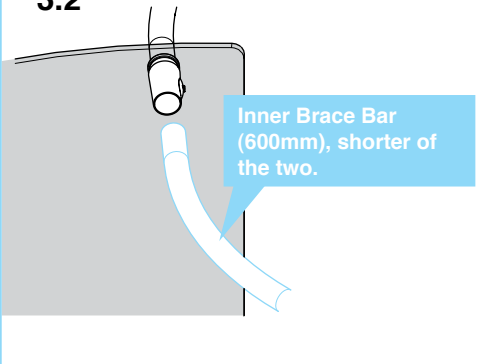
**\*** Tip: When inserting screws apply a small amount of oil to the screw thread to allow easier fixing.

Inside View

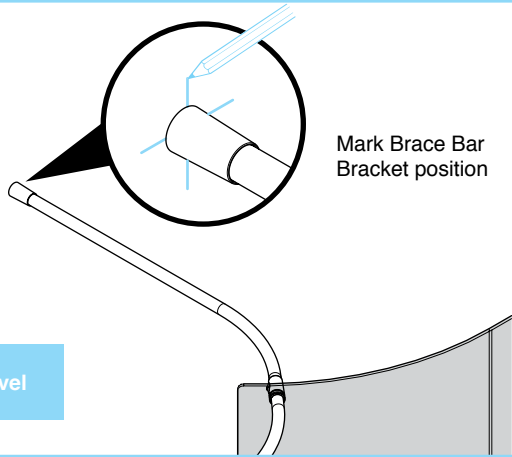
3.1



3.2



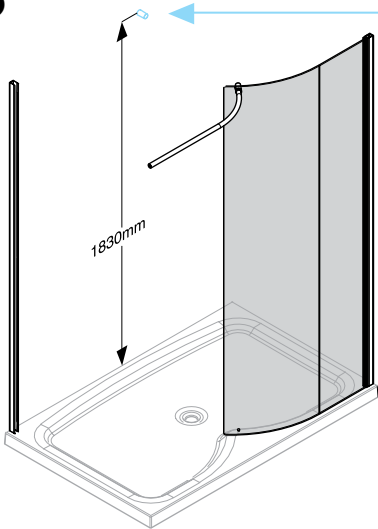
4



**!** Ensure Brace Bar is Level

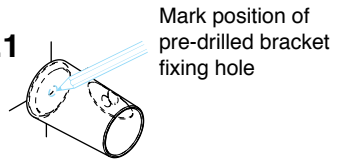
**!** Wall plugs supplied are for solid walls only. Ensure correct wall plug for wall type is used. If in doubt seek professional advice.

5

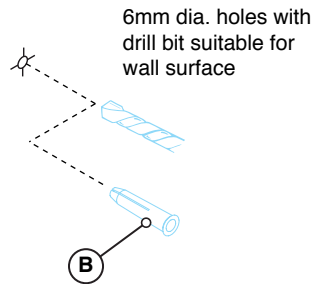


**\*** TIP: When drilling tiles apply masking tape to surface to stop drill bit slipping.

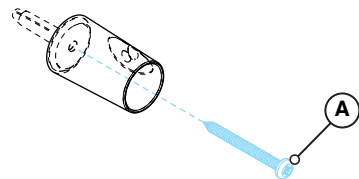
5.1



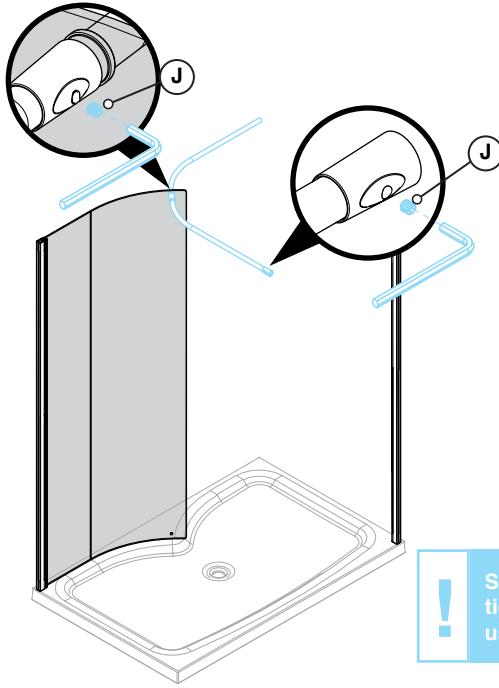
5.2



5.3



6

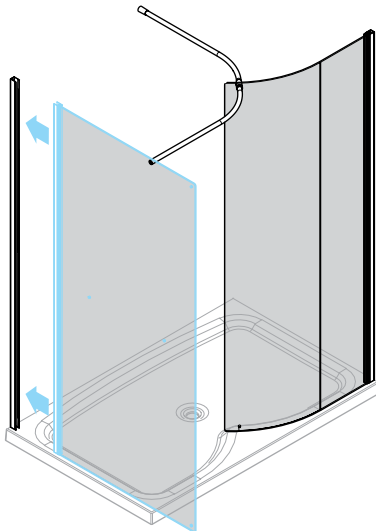


Ensure Glass Panel and  
Brace Bars are level.



Secure Brace Bar Bracket by  
tightening grub screw (pre-fitted)  
using 3mm Allen key supplied.

7

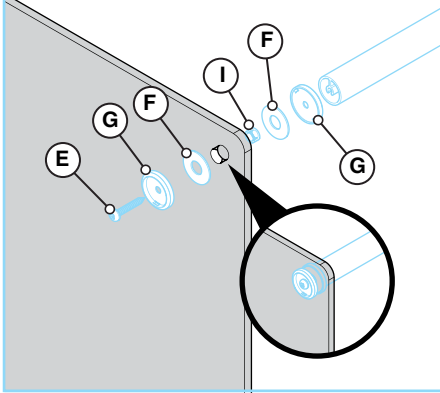


Positioned Glass Side Panel into  
Wall Channel as shown.

8



**DO NOT** fix Brace Bar Cover Cap this stage



**Tip:**  
When inserting screws apply a small amount of oil to the screw thread to allow easier fixing.



**IMPORTANT NOTE:**  
Ensure that you happy with the position of the Glass Panels in relation to the Tray, (see Fig B. below for details).  
Adjust Glass Screen positions as necessary.

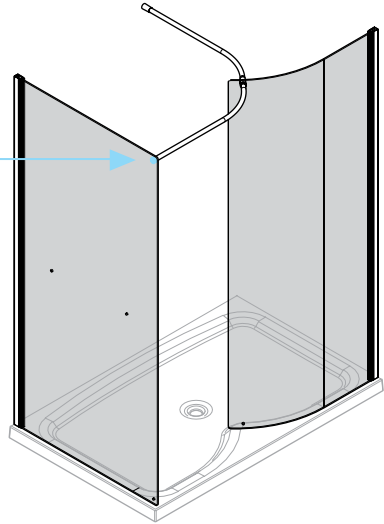
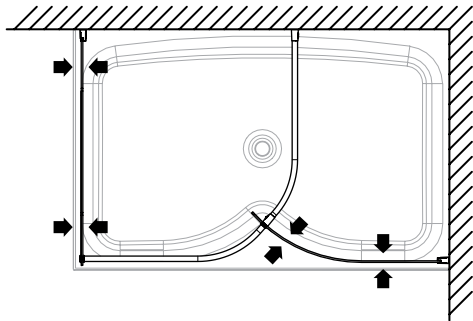


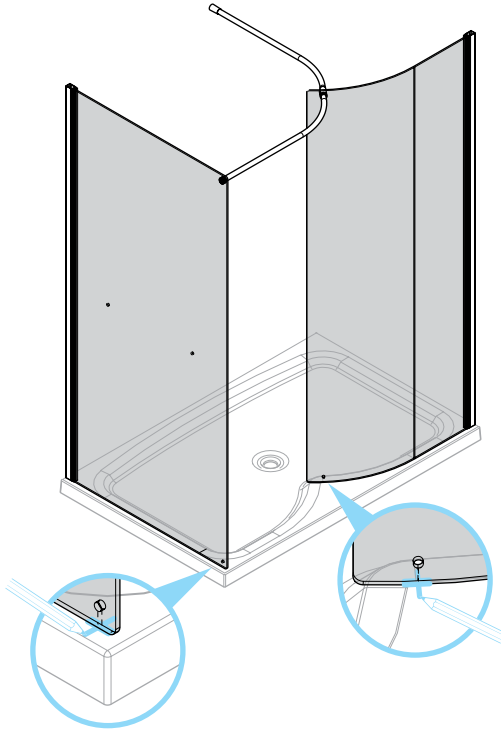
Fig. B: Plan View



**IMPORTANT NOTE:**  
Ensure Glass Panels are positioned straight and in-line with tray.



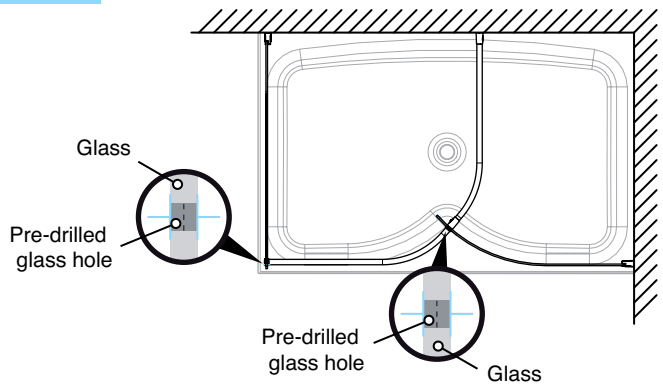
9



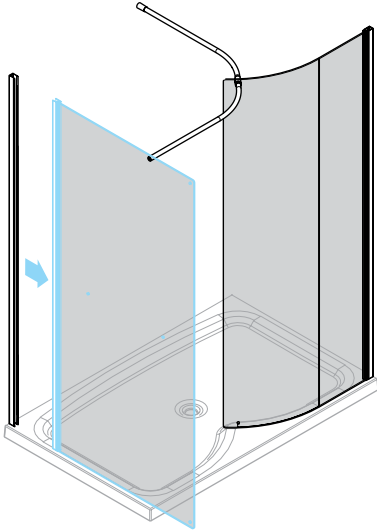
Mark Tray as shown.

Ensure panels are level.

Plan View

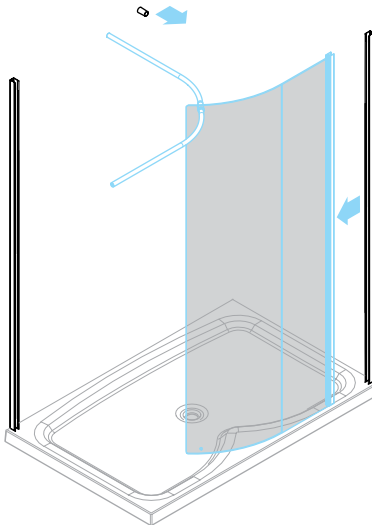


## 10.1



Remove Glass Panels as shown.

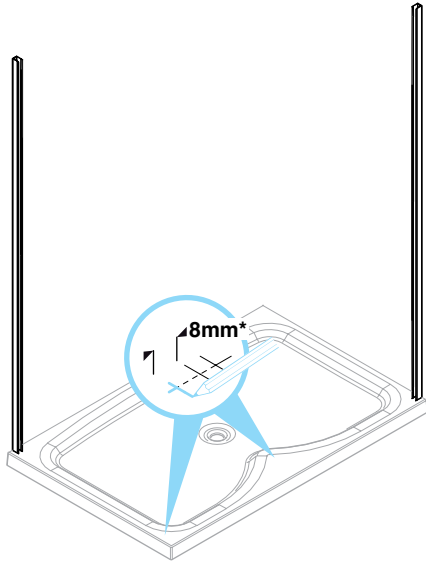
## 10.2



Remove Glass Panels as shown.

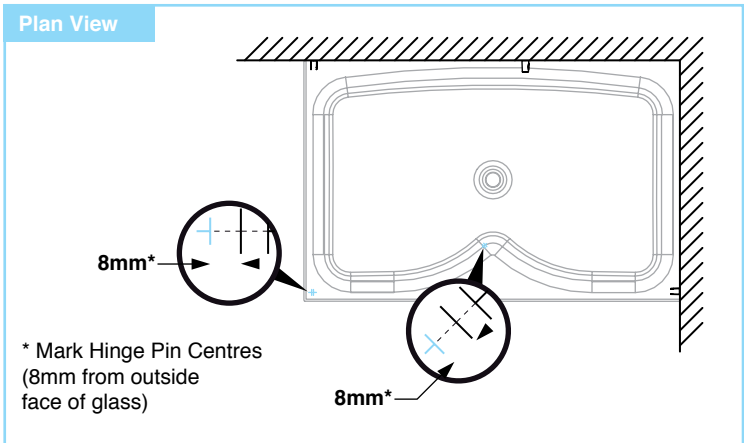


# 10.3

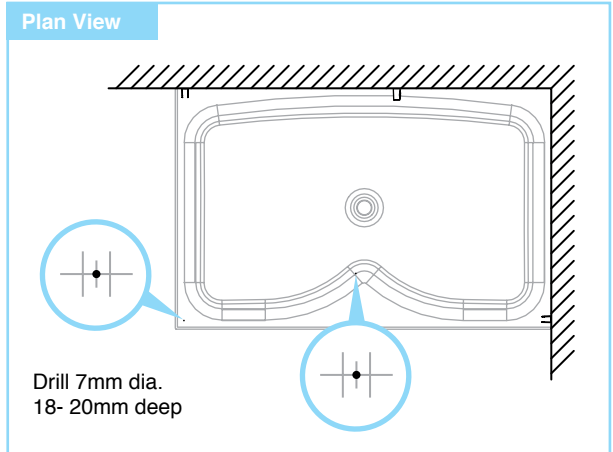
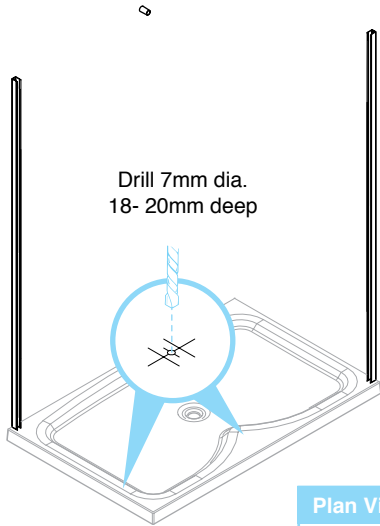


**!** Mark centre holes as shown.

\* Mark Hinge Pin Centres

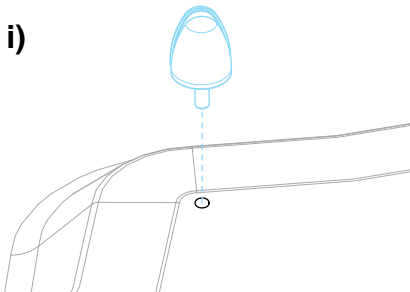


# 11

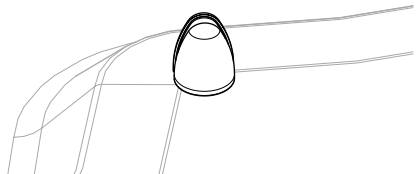


## Test Hinge Pin fits in to drilled Tray Hole

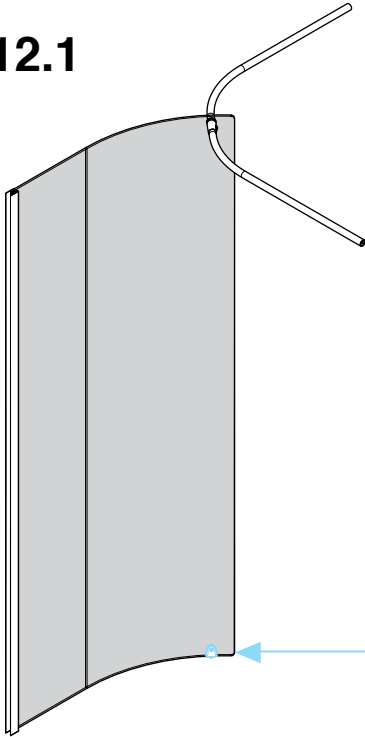
i)



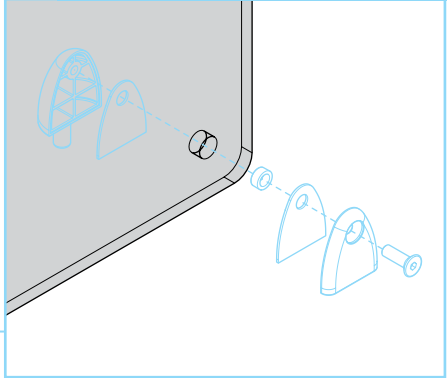
ii)



# 12.1

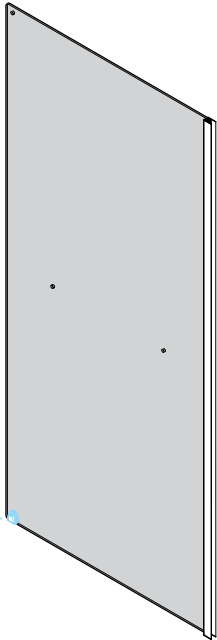
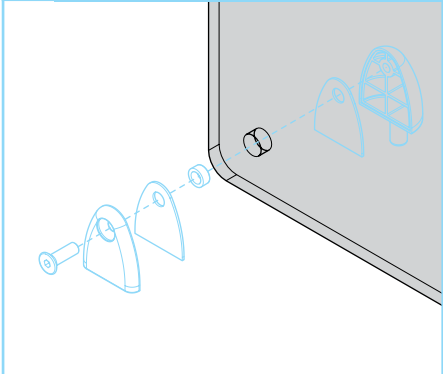


**!** Please Note:  
Glass Clamps are supplied assembled.  
Use Allen Key supplied to disassemble then reassemble onto Glass Panel as shown.

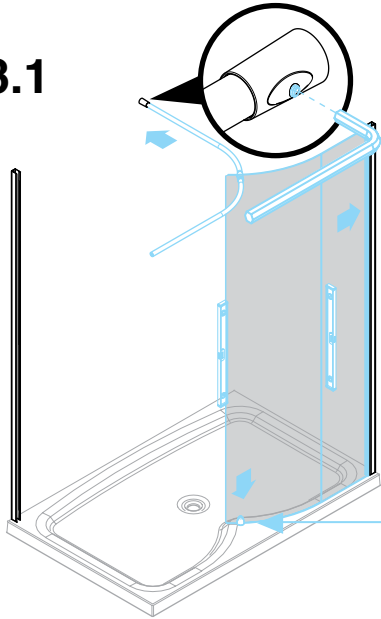


# 12.2

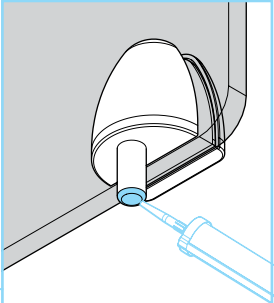
**!** Please Note:  
Glass Clamps are supplied assembled.  
Use Allen Key supplied to disassemble then reassemble onto Glass Panel as shown.



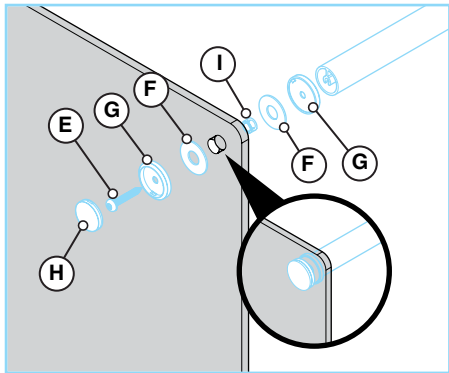
# 13.1



**!** Ensure Curved Glass Front Panel is level before refixing.

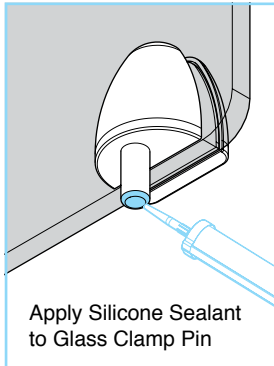
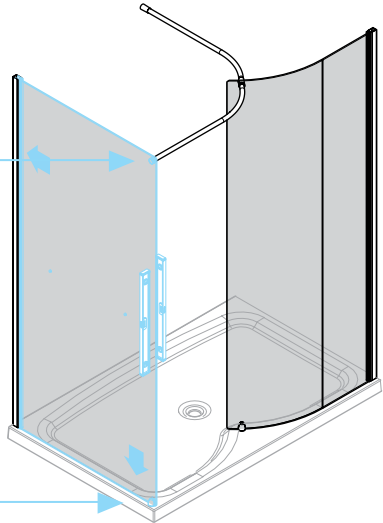


Apply Silicone Sealant to Glass Clamp Pin



**!** Ensure Curved Glass Front Panel is level before refixing.

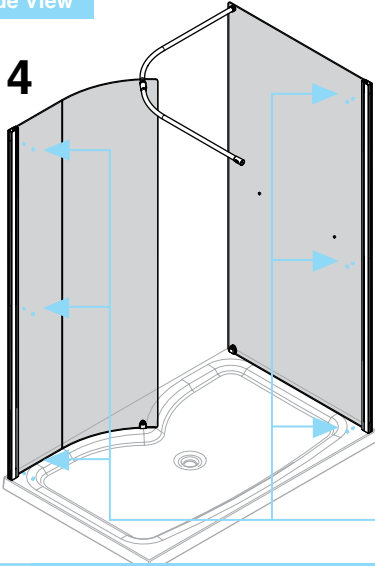
# 13.2



Apply Silicone Sealant to Glass Clamp Pin

Inside View

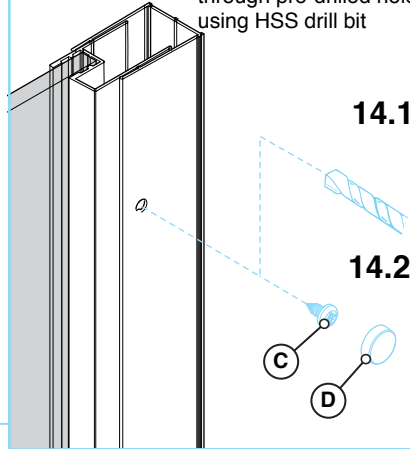
14



Ensure glass is positioned straight and is parallel with tray.

Inside View

\*3mm dia. holes through pre-drilled holes using HSS drill bit



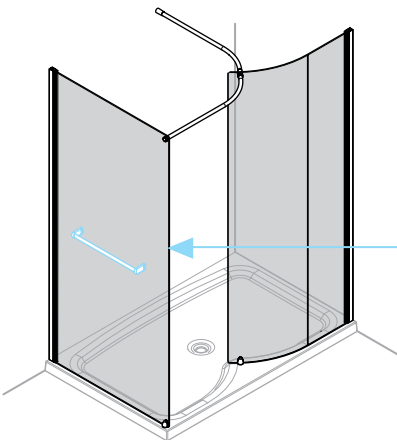
14.1\*

14.2



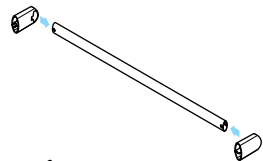
Tip: When inserting screws apply a small amount of oil to the screw thread to allow easier fixing.

15

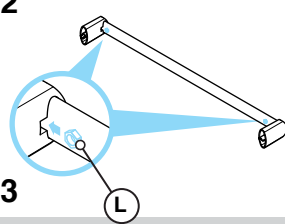


Inside View

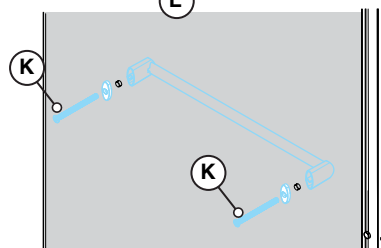
15.1



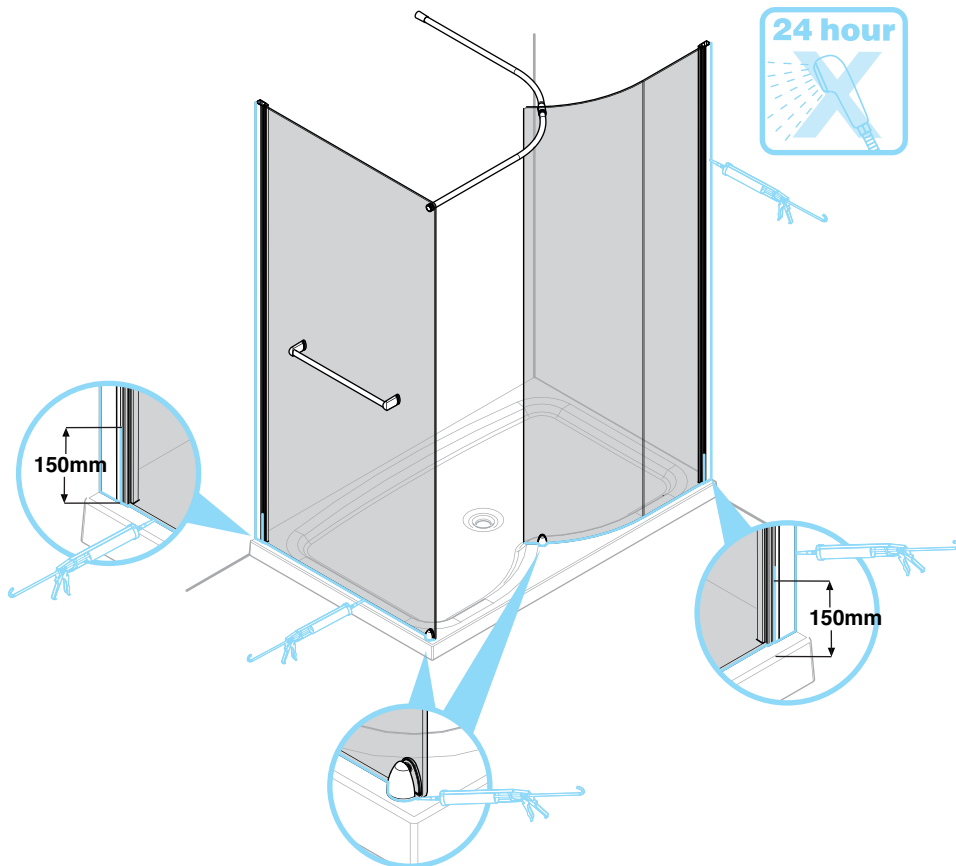
15.2



15.3



# 16



Apply Silicone Sealant, (not supplied).



Only apply silicone sealant to the outside of the enclosure. **DO NOT** use silicone sealant on inside of the enclosure.



**Product Care:**  
Use a non-abrasive cleaner.  
Water marks may be removed with a proprietary limescale remover or household vinegar.