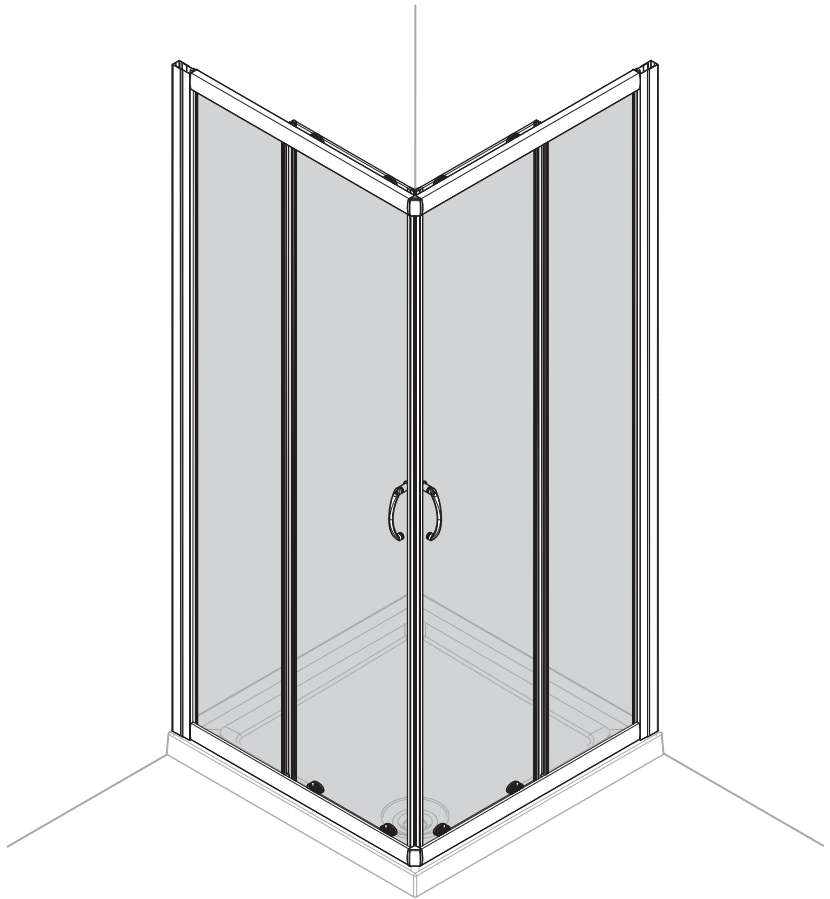


IN00271 (rev B)

Corner Entry

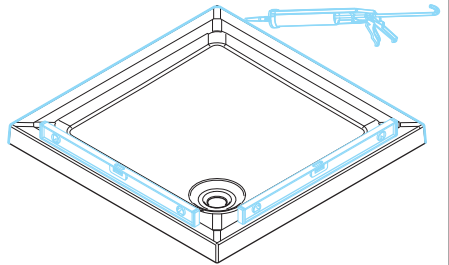
- Instruction suitable for both Right and Left Hand fixing variations.



Before You Start

- Check that the tray has been installed correctly and that it is level (Fig. A), tiled down onto and sealed to the manufacturer's guidelines. **Please Note:** All product supplied without tray.
- Ensure the product is fitted to a non-porous surface ie. tiled. Check that the wall surface is flat.
- Unpack and check the product is complete and undamaged.
- Fixings are supplied for solid walls only. Ensure that the correct fixings are used for the wall type – if in doubt seek professional advice.
- Ensure the area is clean, dry and dust free.
- Read the instructions in full.
- Have the correct tools available, (as shown below, see 'Tools Required').

Fig.A.




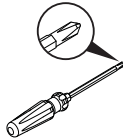
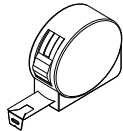
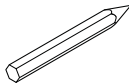
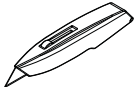
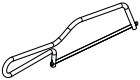

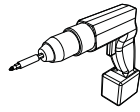
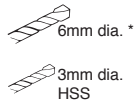
Safety

- Handle all glass with care - support on cardboard to avoid risk of breakage.
- This product is heavy and requires 2 people to carry and install it.
- When drilling walls check first for hidden pipes and cables.
- All glass is toughened – it cannot be reworked or replaced by ordinary glass.
- Use safety eyewear when drilling.
- Use safety eyewear when handling glass.
- Keep all small parts away from children.

Disclaimer

- Please notify the retailer immediately of any damage or faults. The manufacturer cannot be held responsible for any installation costs that may arise from damaged or faulty product being installed.
- Please dispose of all packaging with due regard to the environment.

Tools Required (not supplied)

<p>Spirit Level</p> 	<p>Screwdriver</p> 	<p>Tape Measure</p> 	<p>Pencil</p> 	<p>Utility Knife</p> 
<p>Junior Hacksaw</p> 	<p>Silicone Gun & Sealant</p> 	<p>Power Drill</p> 	<p>Suitable Drill Bits</p>  <p>6mm dia. *</p> <p>3mm dia. HSS</p>	<p>* Ensure drill bit used is suitable for wall surface</p>



Help Line: 0870 241 6131

Lines open: 8.30am - 5.00pm Monday to Friday
Standard National call charge rate from BT landlines

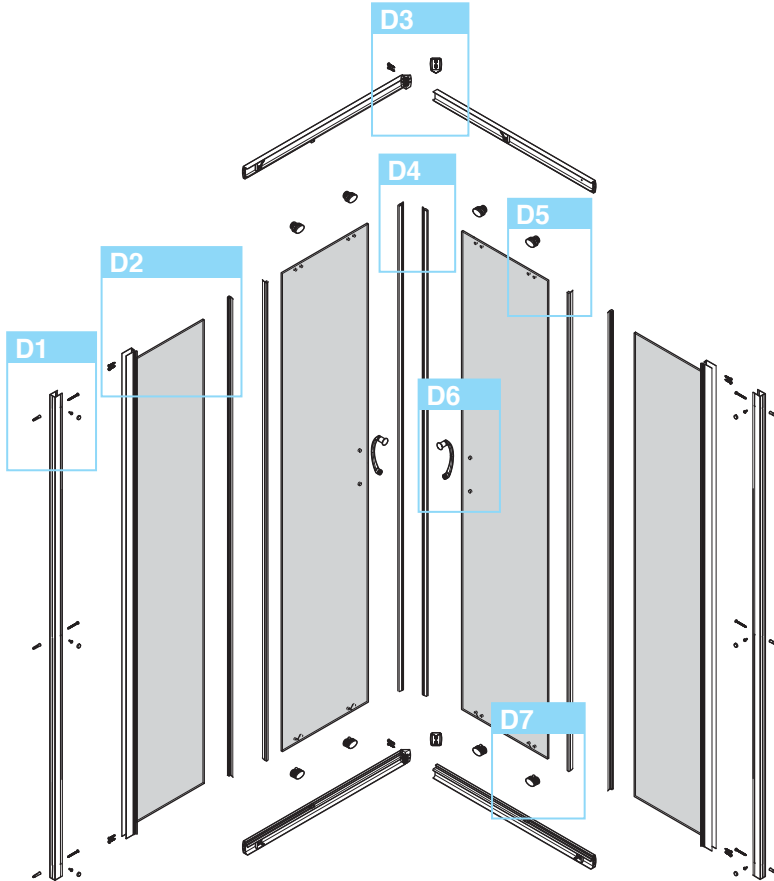
Parts & Fittings Supplied



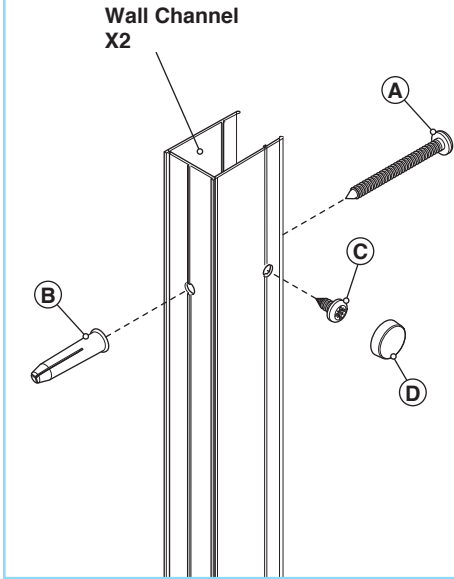
Please notify the retailer immediately of any damage or faults. The manufacturer cannot be held responsible for any installation costs that may arise from a damaged or faulty product being installed.



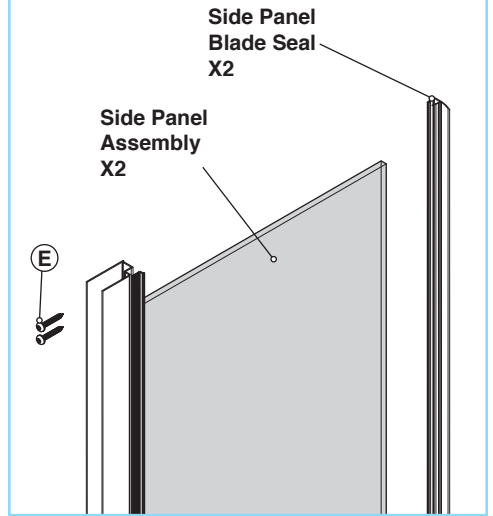
Keep small parts away from children



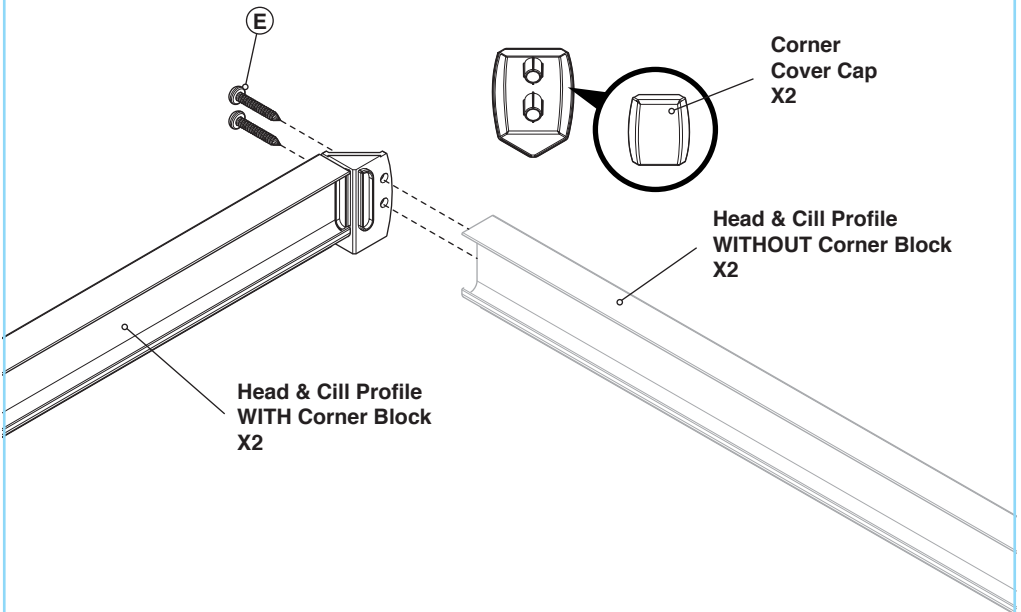
D1



D2

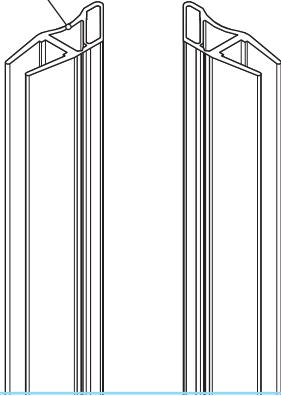


D3



D4

**Magnet Seal
X2**

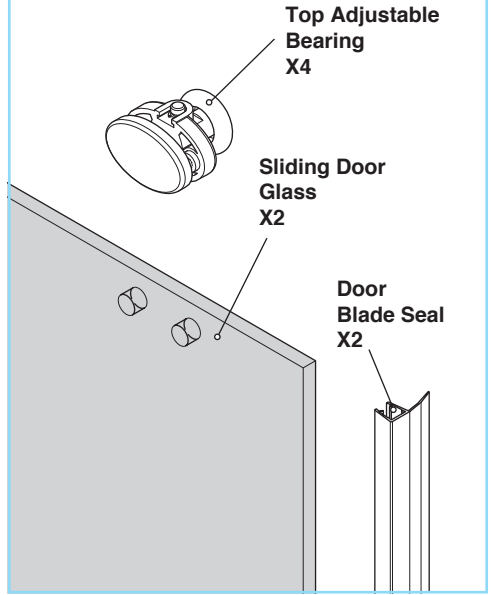


D5

**Top Adjustable
Bearing
X4**

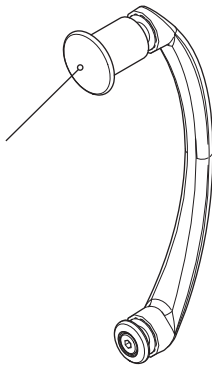
**Sliding Door
Glass
X2**

**Door
Blade Seal
X2**



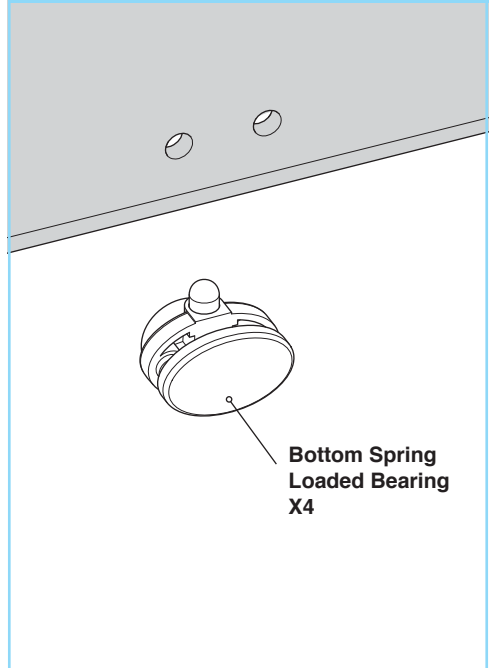
D6

**Door Handle
Assembly
X2**

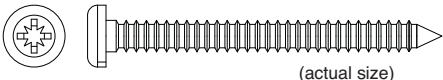
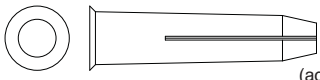
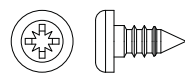

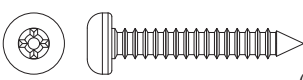


D7

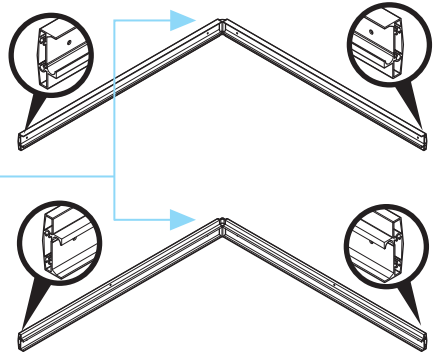
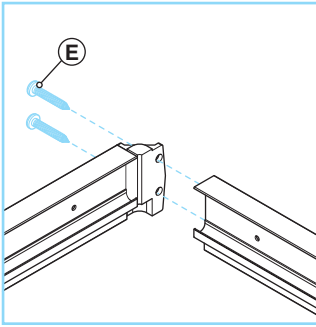
**Bottom Spring
Loaded Bearing
X4**



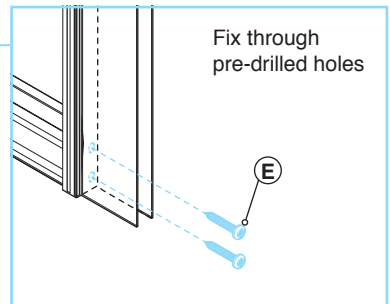
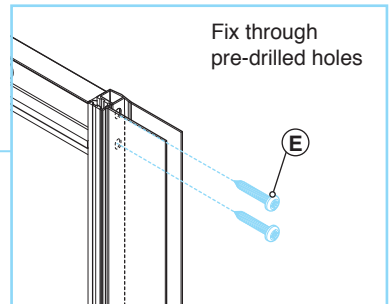
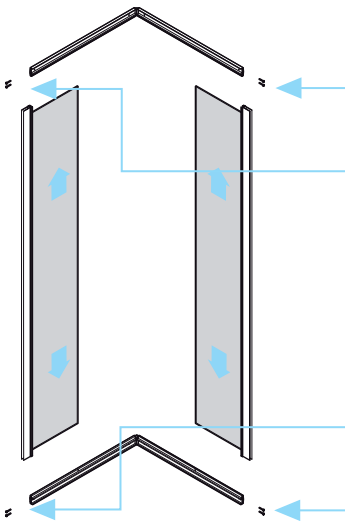
Loose Screws & Fittings Supplied

(A)	No.8 x 1 $\frac{3}{4}$ " Pan Head Pozi Screws	 (actual size)	Qty x6
(B)	Wall Plugs	 (actual size)	Qty x6
(C)	No.8 x $\frac{3}{8}$ " Pan Head Pozi Screws	 (actual size)	Qty x6
(D)	Screw Snap Cap	 (actual size)	Qty x6
(E)	No.8 x 1" Pan Head Pozi Screws	 (actual size)	Qty x12

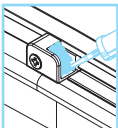
1.1



1.2



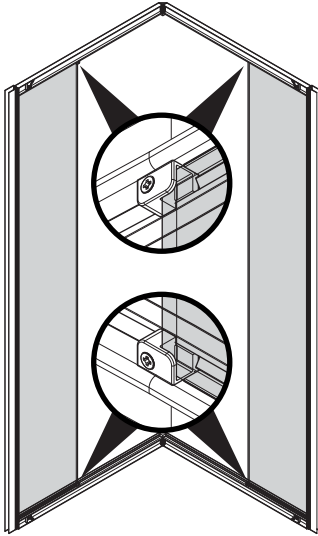
Tip: Assemble frame vertically.



Tip:
Apply a small amount of silicone sealant
to glass holder on **BOTTOM CILL
PROFILE ONLY** before positioning glass.

Inside View

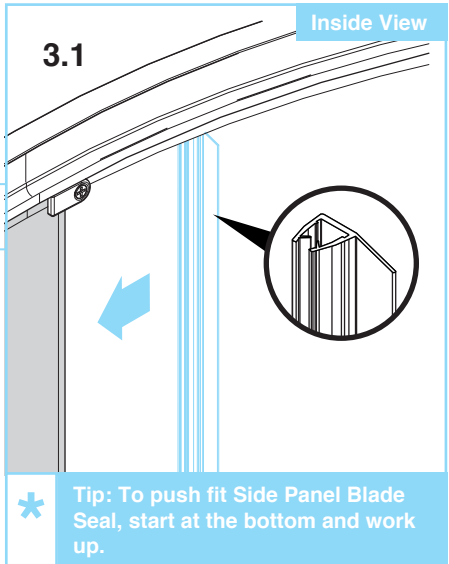
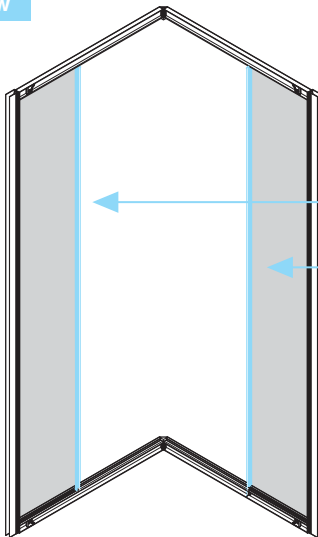
2



Ensure Glass Side Panels are located into pre-fitted glass holders as shown.

Inside View

3

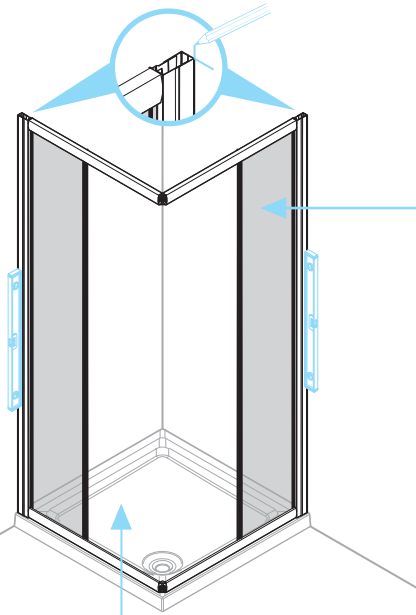


Tip: To push fit Side Panel Blade Seal, start at the bottom and work up.

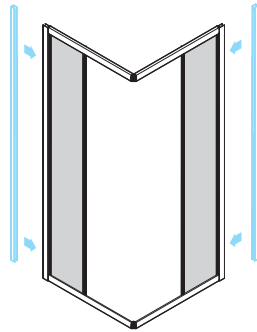


Note:
Two different Seal, lengths supplied. Use Shorter of the two seal lengths at this stage.

4

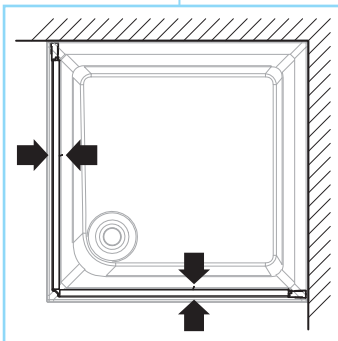
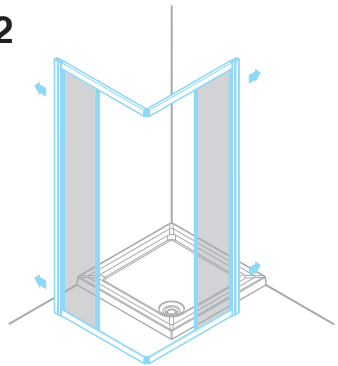


4.1



Do NOT fix Wall Channels at this stage. Ensure Wall Channel is level and mark position.

4.2



IMPORTANT NOTE
Ensure glass is positioned straight and is parallel with tray.



Tip:
When drilling tiles apply masking tape to surface to stop drill bit slipping.

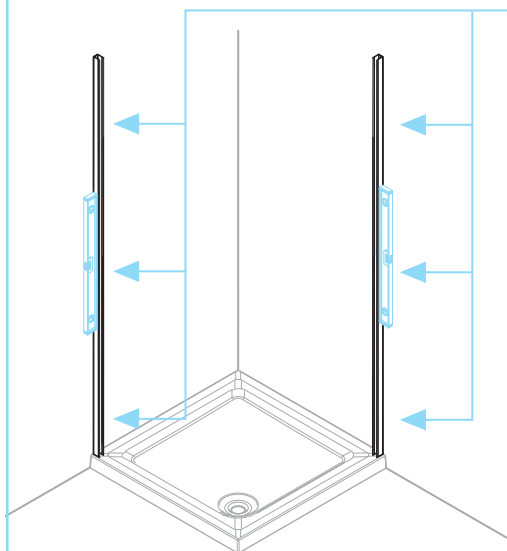


Wall plugs supplied are for solid walls only. Ensure correct wall plug for wall type is used. If in doubt seek professional advice.

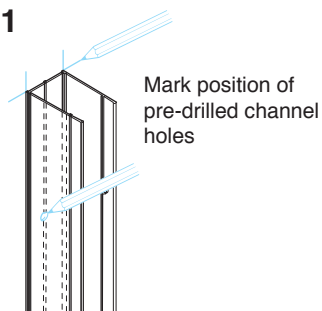


Position wall channel on wall. Ensure channel is vertically level and does not overhang the shower tray.

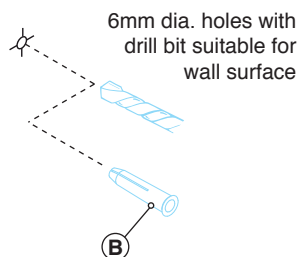
5



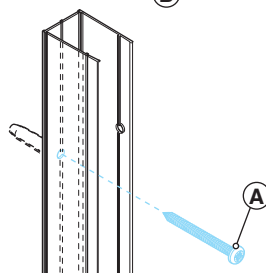
5.1



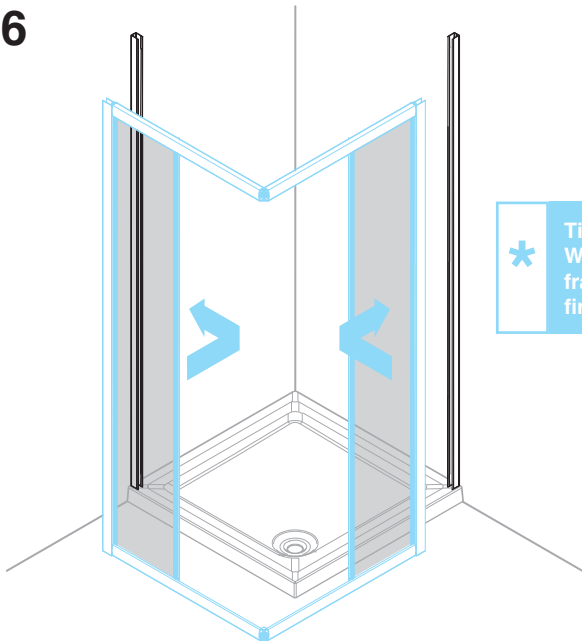
5.2



5.3



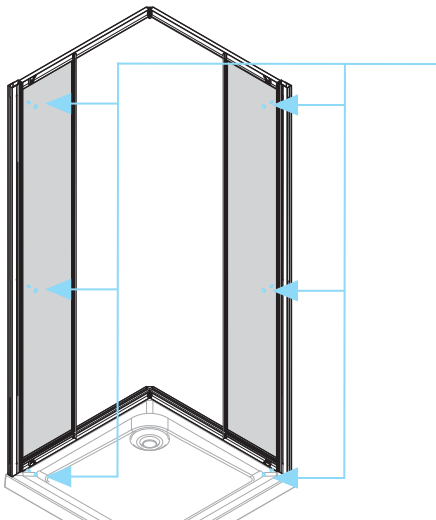
6



* Tip: When positioning frame, hold frame and position bottom corners first.

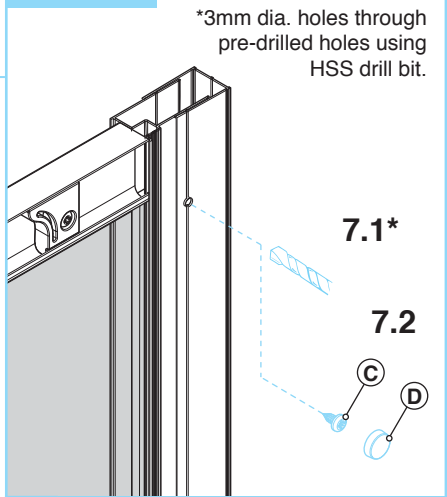
Inside View

7



! Ensure glass is positioned straight and is parallel with tray.

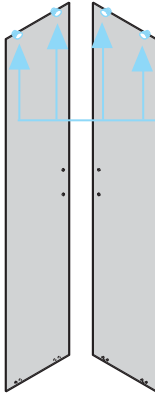
Inside View



* Tip: When inserting screws apply a small amount of oil to the screw thread to allow easier fixing.

Inside View

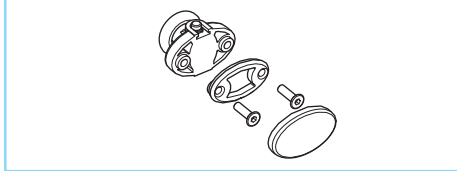
8



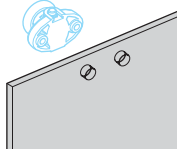
! Please Note: Top Adjustable Bearings are supplied fully assembled. Disassemble part prior to fixing.

! Please Note: Top adjustable Bearing and Bottom Spring Loaded Bearing variations. Use TOP ADJUSTABLE BEARING only.

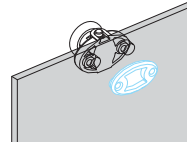
Top Adjustable Bearing Fixing Preparation



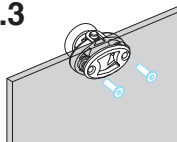
8.1



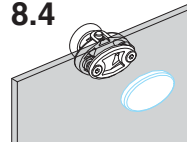
8.2



8.3

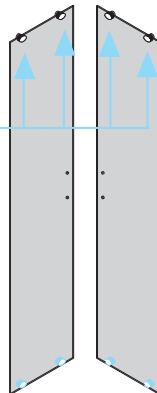


8.4

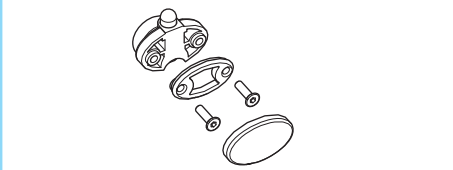


Inside View

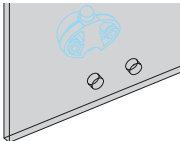
9



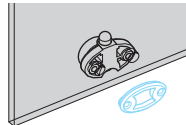
Bottom Spring Loaded Bearing Fixing Preparation



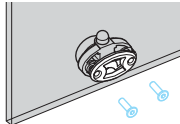
9.1



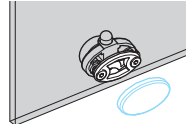
9.2



9.3



9.4

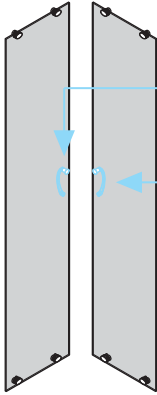


! Please Note: Bottom Spring Loaded Bearings are supplied fully assembled. Disassemble part prior to fixing.

! Please Note: Bottom Spring Loaded Bearing and Top adjustable Bearing variations. Use BOTTOM SPRING LOADED BEARING only.

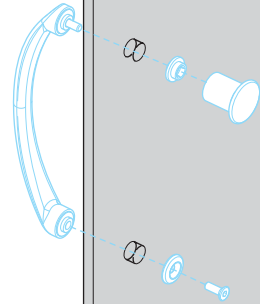
Inside View

10



Inside View

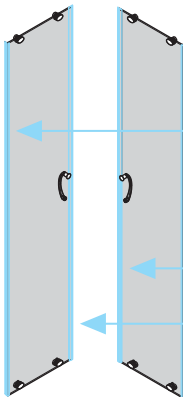
10.1



Please Note: Door Handles are supplied assembled. Using Allen key supplied, disassemble part and then re-assemble as shown. Ensure all screw heads are on the enclosure interior. DO NOT overtighten.

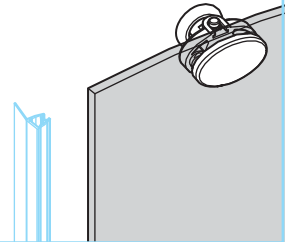
Inside View

11



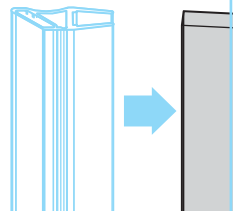
Inside View

11.1



Inside View

11.2



Ensure Door Blade Seal is fitted with blade facing away from enclosure, (as Shown).



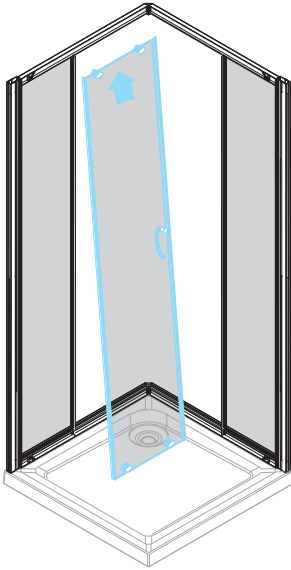
Note: Two different Blade Seal lengths supplied. Use longer of the two versions at this stage.



Tip: Push fit Magnet Seal, start at the bottom and work up.

Inside View

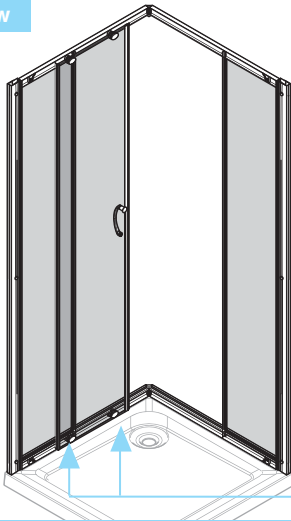
12



Tip:
Locate bearing wheels on the top rail first.

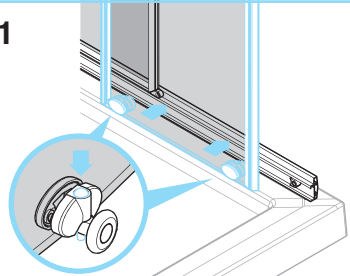
Inside View

13

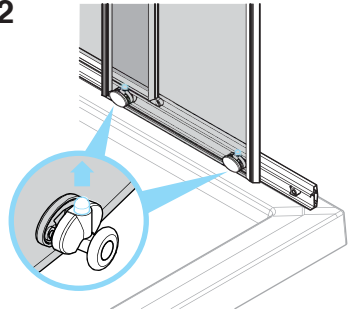


Tip:
Push button down and mount bearing wheels from the outside of enclosure onto the rail, then release button to lock into place.

13.1

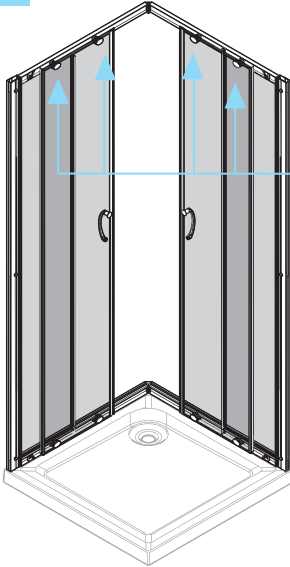


13.2

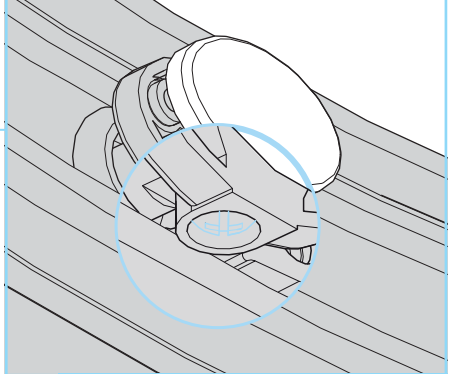


Inside View

14



Inside, Underside View

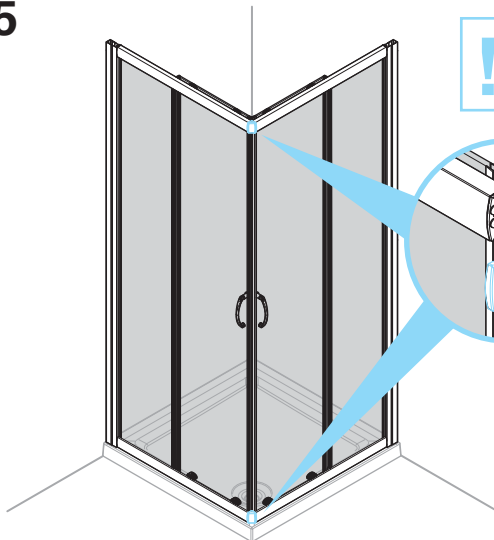


***** Tip:
When door is correctly located, door position can be adjusted up and down using Top Bearing adjustment screws (above).

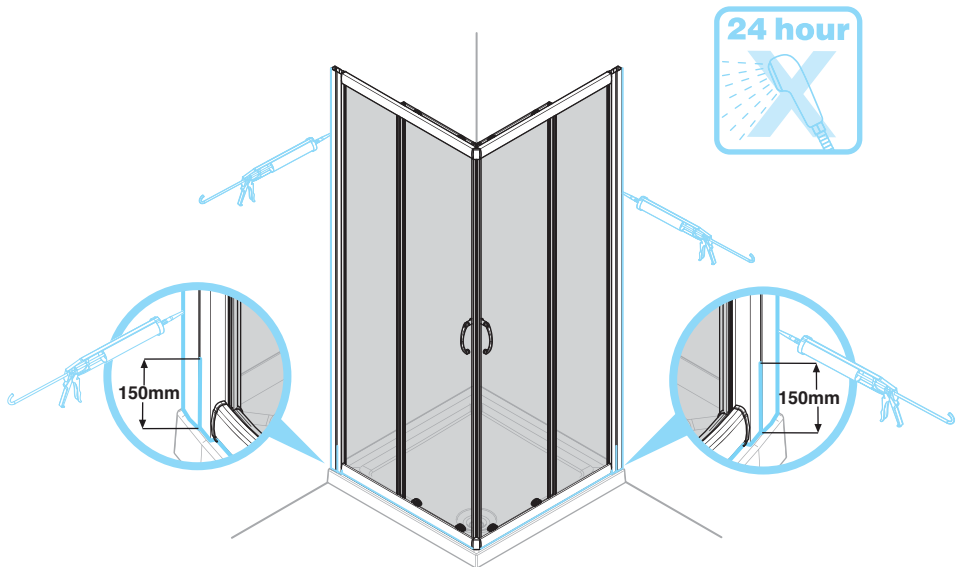
! Ensure free movement of door. Adjust to suit.

Inside View

15



! Push fit Corner Cover Caps into position



Apply Silicone Sealant, (not supplied).



Only apply silicone sealant to the outside of the enclosure. **DO NOT** use silicone sealant on inside of the enclosure.



Product Care:
Use a non-abrasive cleaner.
Water marks may be removed with a proprietary limescale remover or household vinegar.