

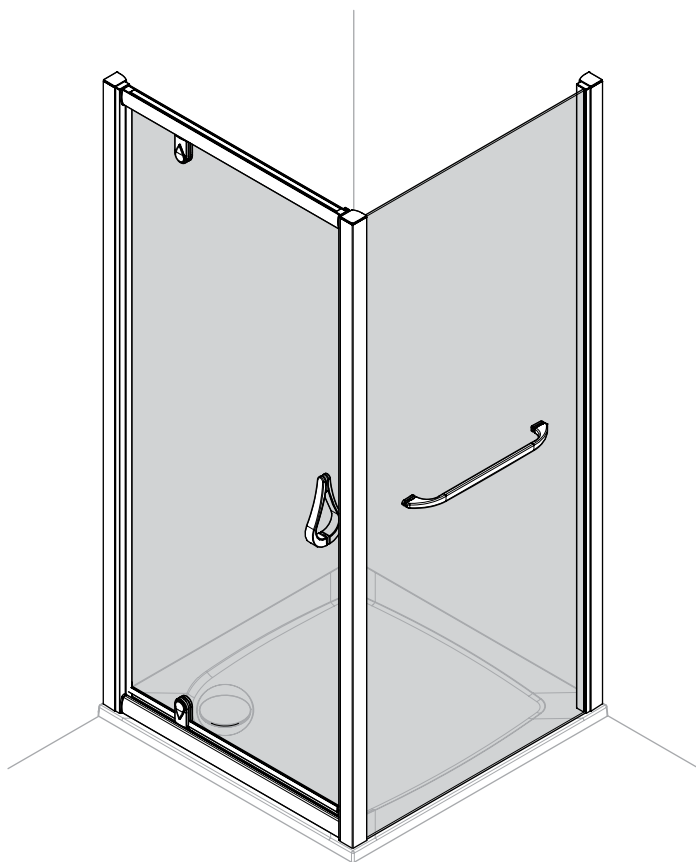
IN00418 (rev A)

# Aqua 6 Pivot Door & Side Panel

**AQUA 6**  
DESIGNED AROUND YOU

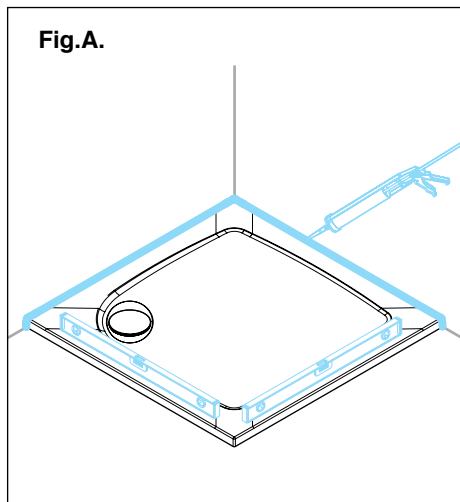
- Instruction suitable for both Right and Left Hand fixing variations.

**IMPORTANT:** If installing a Pivot Door only; ie. a recess installation, please refer to alternative fixing details on the document reverse.



## Before You Start

- Check that the tray has been installed correctly and that it is level (Fig. A), tiled down onto and sealed to the manufacturer's guidelines. **Please Note:** All product supplied without tray.
- Ensure the product is fitted to a non-porous surface ie. tiled. Check that the wall surface is flat.
- Unpack and check the product is complete and undamaged.
- Fixings are supplied for solid walls only. Ensure that the correct fixings are used for the wall type – if in doubt seek professional advice.
- Ensure the area is clean, dry and dust free.
- Read the instructions in full.
- Have the correct tools available, (as shown below, see 'Tools Required').
- It is recommended to situate the showerhead and door adjacent to each other in order to allow any water spray to be on the side panel or upstanding wall.




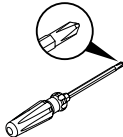
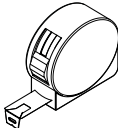
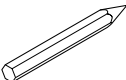
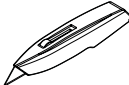
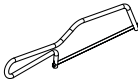
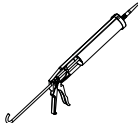
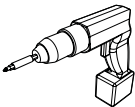

## Safety

- Handle all glass with care - support on cardboard to avoid risk of breakage.
- This product is heavy and requires 2 people to carry and install it.
- When drilling walls check first for hidden pipes and cables.
- All glass is toughened – it cannot be reworked or replaced by ordinary glass.
- Use safety eyewear when drilling.
- Use safety eyewear when handling glass.
- Keep all small parts away from children.

## Disclaimer

- Please notify the retailer immediately of any damage or faults. The manufacturer cannot be held responsible for any installation costs that may arise from damaged or faulty product being installed.
- Please dispose of all packaging with due regard to the environment.

## Tools Required (not supplied)

<p>Spirit Level</p> 	<p>Screwdriver</p> 	<p>Tape Measure</p> 	<p>Pencil</p> 	<p>Utility Knife</p> 
<p>Junior Hacksaw</p> 	<p>Silicone Gun &amp; Sealant</p> 	<p>Power Drill</p> 	<p>Suitable Drill Bits</p> 	<p>* Ensure drill bit used is suitable for wall surface</p>



Help Line: 0870 241 6131

Lines open: 8.30am - 5.00pm Monday to Friday  
Standard National call charge rate from BT landlines

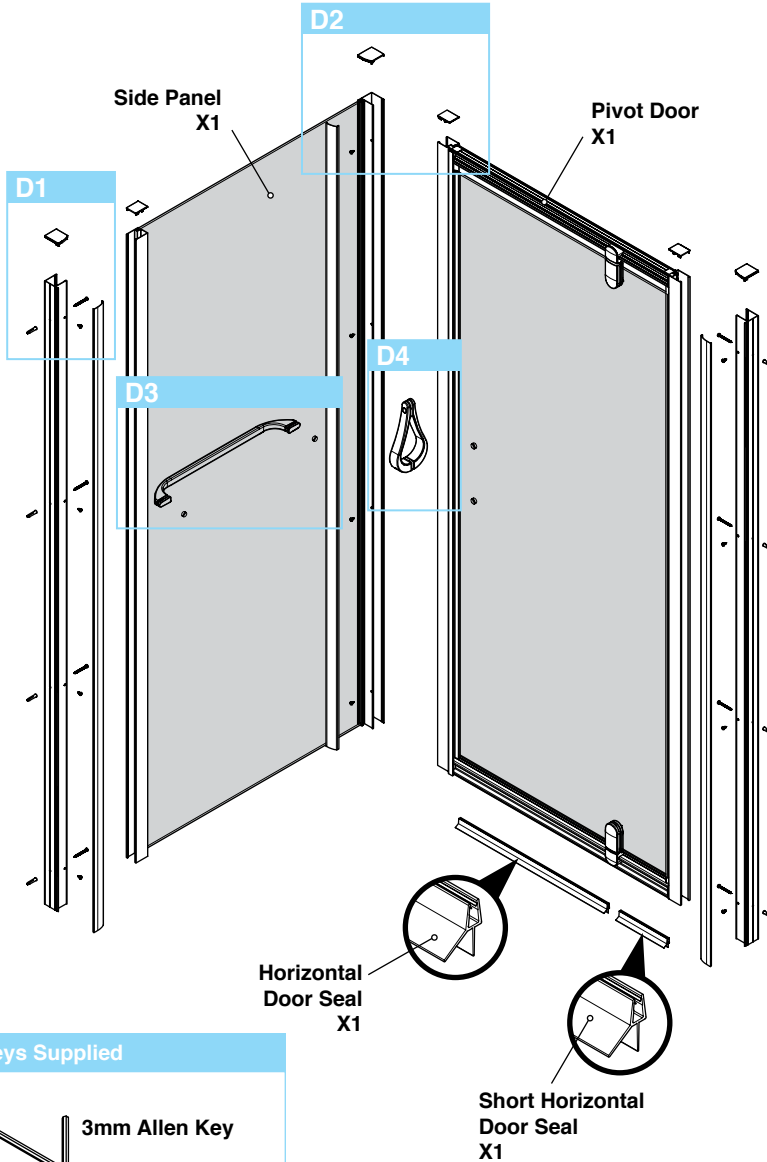
# Parts & Fittings Supplied



Please notify the retailer immediately of any damage or faults. The manufacturer cannot be held responsible for any installation costs that may arise from a damaged or faulty product being installed.



Keep small parts away from children



## Allen Keys Supplied

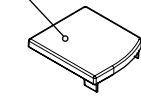


3mm Allen Key

Short Horizontal Door Seal X1

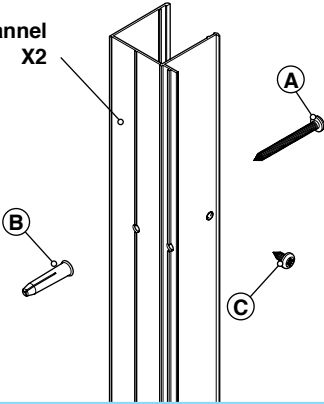
# D1

Wall Channel  
Top Cap\*  
X2



\*Left and right hand variants supplied

Wall Channel  
X2

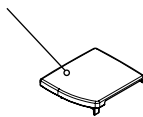


Wall Channel  
Trim  
X2

**Note:** All components are supplied with Pivot Door Pack

# D2

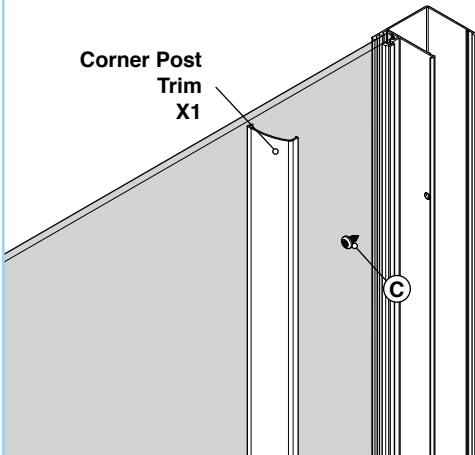
Corner Post Top Cap\*  
X1



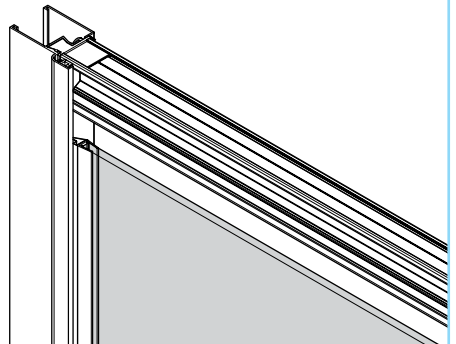
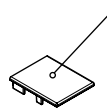
\*Left and right hand variants supplied

\*\* 1 no. cap supplied with side panel pack

Corner Post  
Trim  
X1

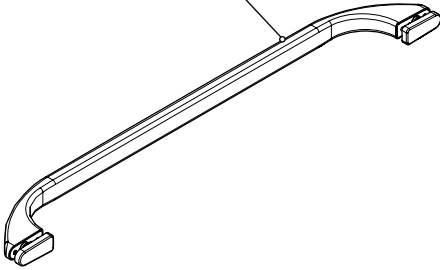


Stile Cap\*\*  
X3



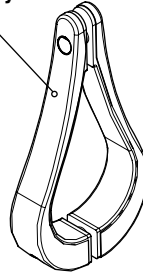
D3

Towel Rail Assembly  
X1

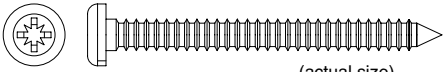
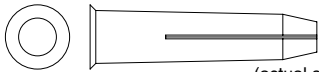
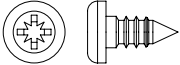


D4

Door Handle Assembly  
X1



### Loose Screws & Fittings Supplied

<b>A</b>	No.8 x 1 $\frac{3}{4}$ " Pan Head Pozi Screws	 <p>(actual size)</p>	Qty <b>x8</b>
<b>B</b>	Wall Plugs	 <p>(actual size)</p>	Qty <b>x8</b>
<b>C</b>	No.8 x $\frac{3}{8}$ " Pan Head Pozi Screws	 <p>(actual size)</p>	Qty <b>x12</b>

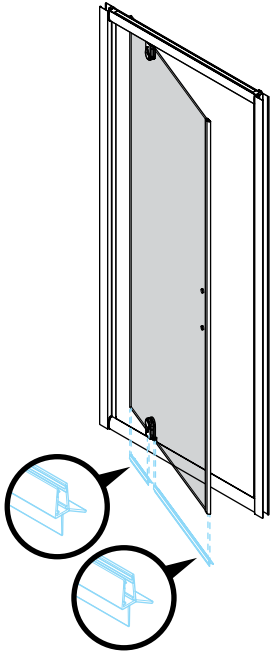
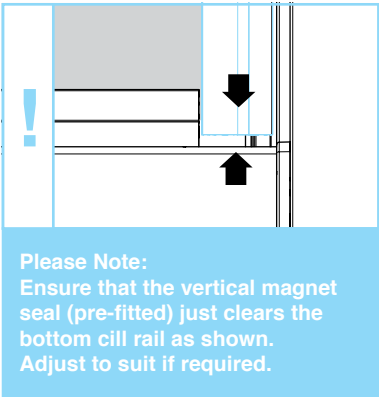
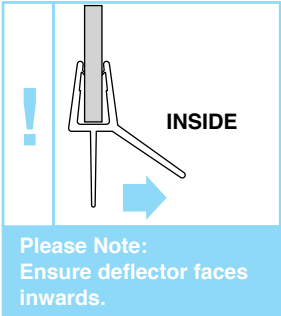
**IMPORTANT NOTE:**

This installation instruction is shown with a right hand entry to the enclosure and a right hand side panel. If you would like to build your product as a variation of this (i.e. Left hand entry with left hand side panel) please mirror the details as necessary.

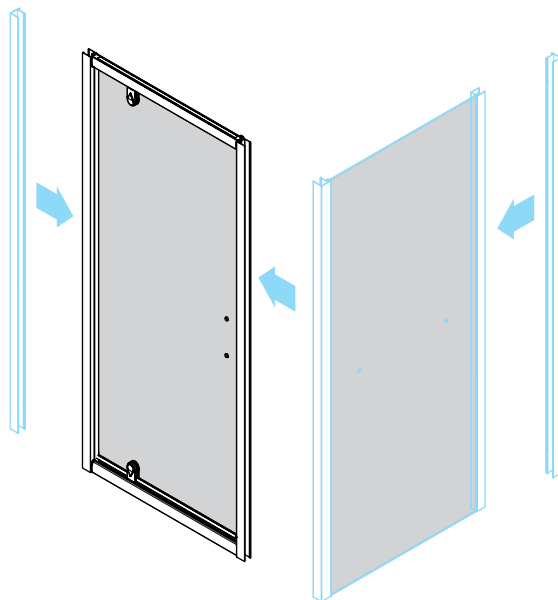
If in doubt please seek advise before commencing with the installation.

**!** Please Note:  
Door opens **OUTWARDS** only.

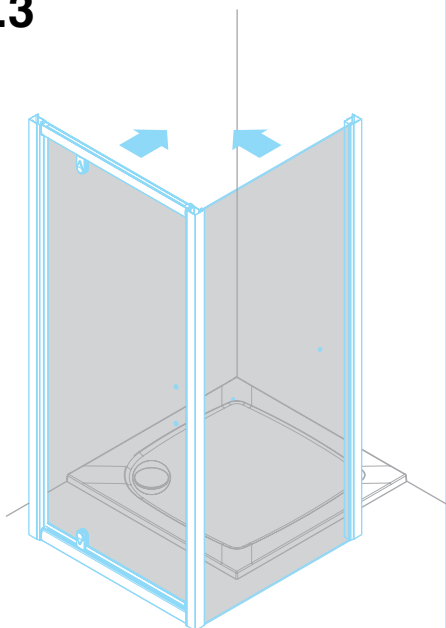
# 1.1



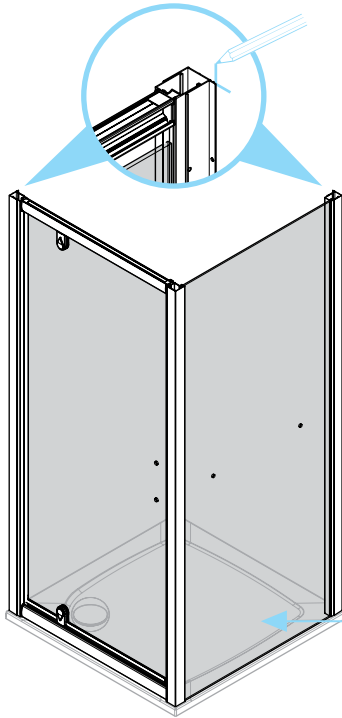
**1.2**



**1.3**

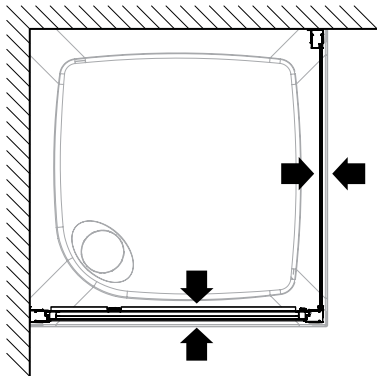


# 1.4



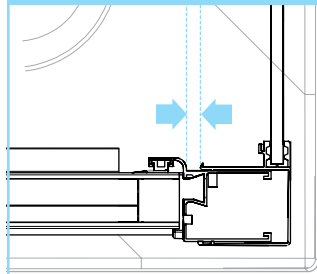
Mark position of  
Wall Channels

## Plan View



Ensure glass is positioned  
straight and is parallel with  
tray.

## IMPORTANT NOTE:



Ensure adequate gap between  
corner post (on Side Panel)  
and Closing Stile (on Pivot  
Door) so that the Corner Post  
Trim can be fitted afterwards  
in step 8.



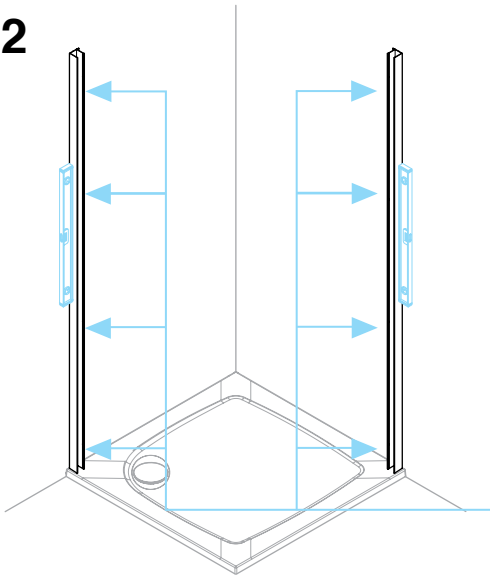


Wall plugs supplied are for solid walls only. Ensure correct wall plug for wall type is used. If in doubt seek professional advice.



Position Wall Channel on wall as shown, ensure Wall Channel is fixed level.

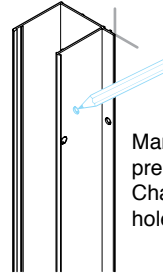
**2**



Tip: When drilling tiles apply masking tape to surface to stop drill bit slipping.

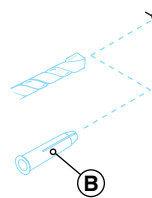
**2.1**

Inside View



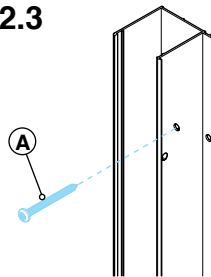
Mark position of pre-drilled Wall Channel fixing hole

**2.2**



6mm dia. holes with drill bit suitable for wall surface

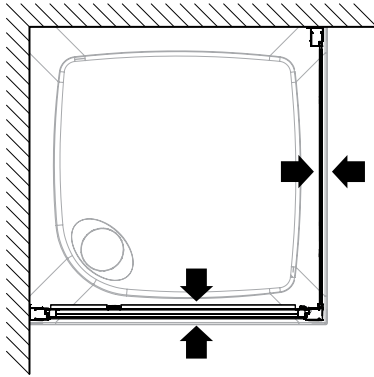
**2.3**



Fix through pre-drilled Wall Channel fixing hole

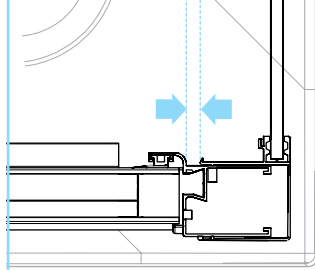
Plan View

3



Ensure glass is positioned straight and is parallel with tray.

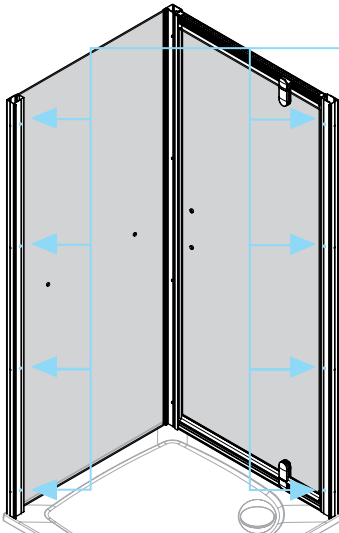
IMPORTANT NOTE:



Ensure adequate gap between corner post (on Side Panel) and Closing Stile (on Pivot Door) so that the Corner Post Trim can be fitted afterwards in step 8.

Inside View

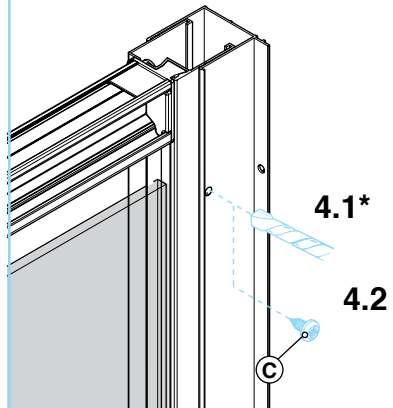
4



Ensure glass is positioned straight and is parallel with tray.

Inside View

\*3mm dia. holes through pre-drilled holes using HSS drill bit

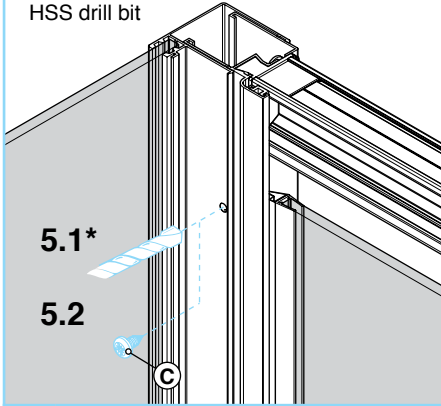


Tip: When inserting screws apply a small amount of oil to the screw thread to allow easier fixing.

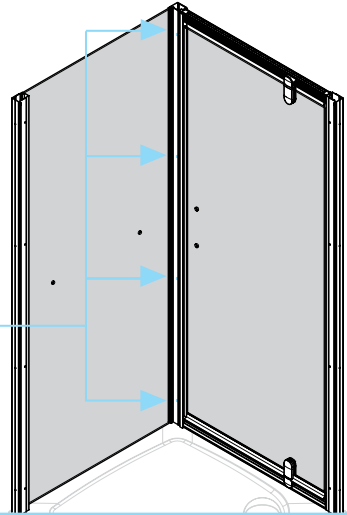
5

\* 3mm dia. holes through pre-drilled holes using HSS drill bit

Inside View



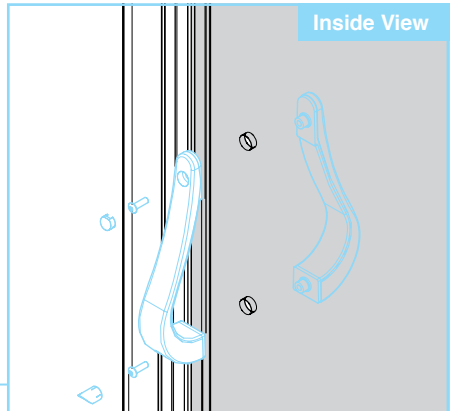
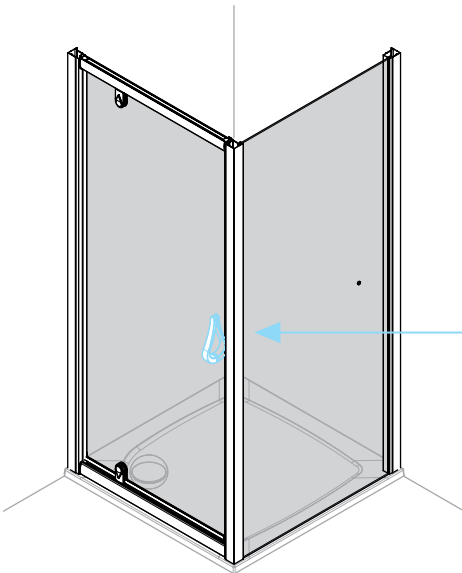
Ensure adequate gap between corner post profile and vertical pivot door stile so that Corner Post Trim can be fitted afterwards in Step 8.



Tip: When inserting screws apply a small amount of oil to the screw thread to allow easier fixing.

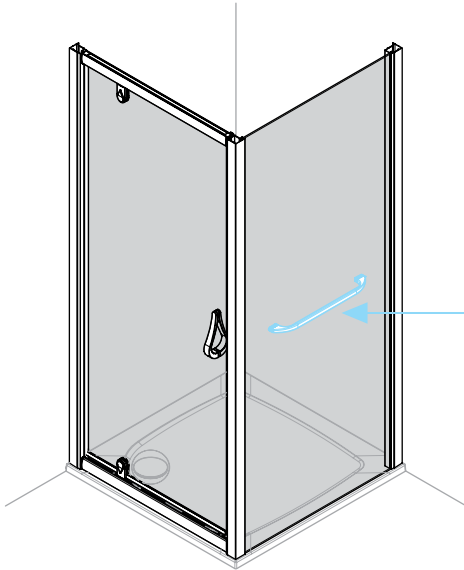
6

Inside View

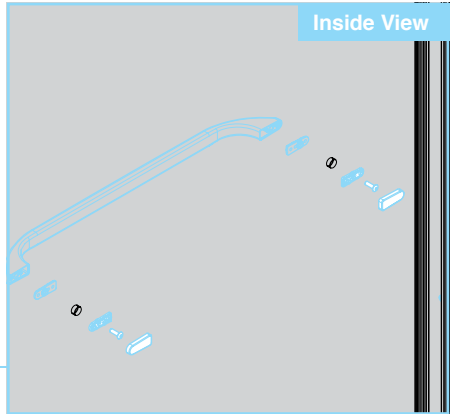


Please Note: Door Handle is supplied assembled. Using Allen key supplied, disassemble part and then re-assemble as shown. Ensure all screw heads are on the enclosure interior. DO NOT overtighten.

7



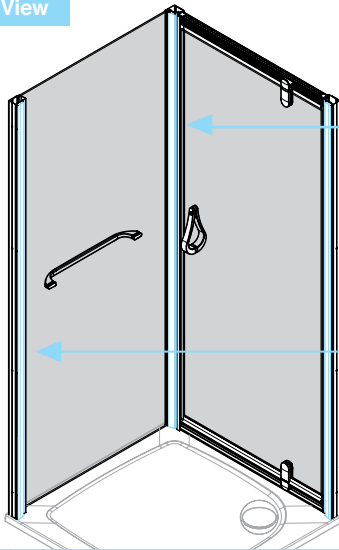
Inside View



**!** Please Note: Towel Rail is supplied assembled. Using Allen key supplied, disassemble part and then re-assemble as shown. Ensure all screw heads are on the enclosure interior. DO NOT overtighten.

Inside View

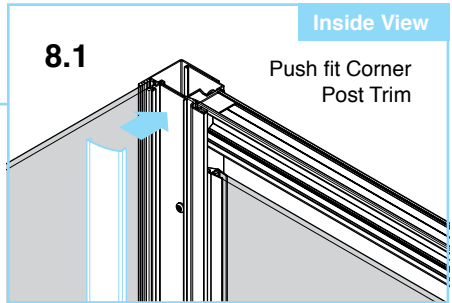
8



Inside View

8.1

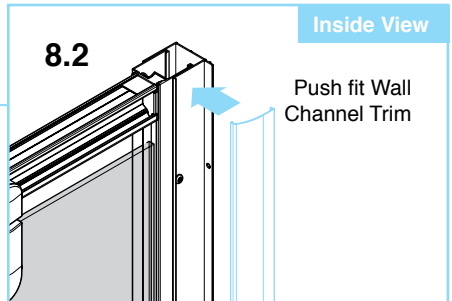
Push fit Corner Post Trim



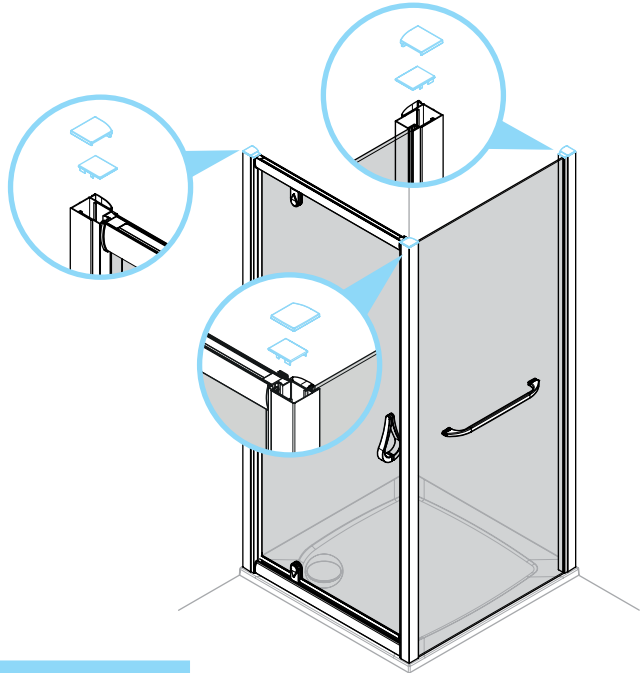
Inside View

8.2

Push fit Wall Channel Trim



Please Note: Wall Channel Trim and Corner Post Trim are different, ensure correct trim type is used.



\* Take care not to let Wall Channel End Caps or Stile End Caps slip down the Wall Channel.

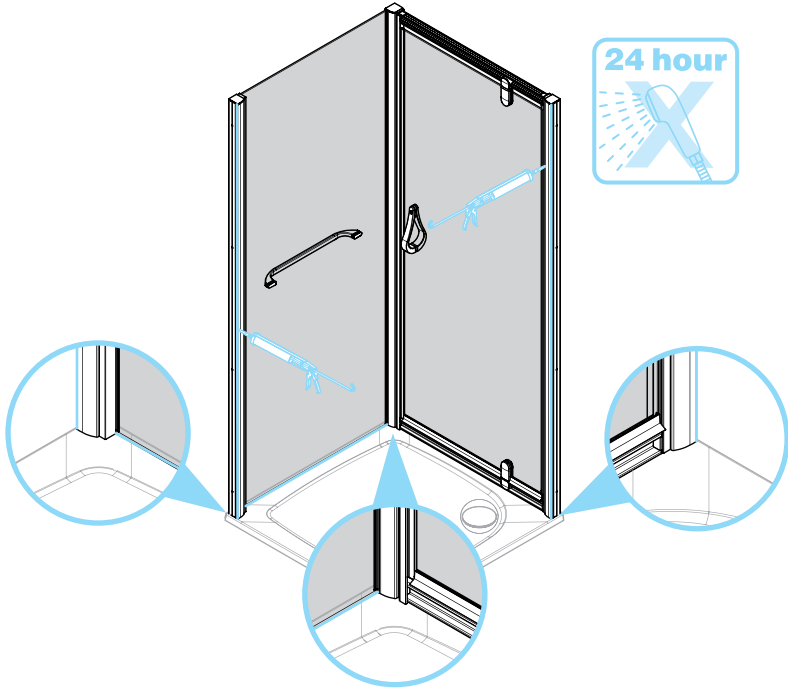
\* For best results, locate Stile Caps at the back edge first in the 'U' feature.

! Push fit Wall Channel End Cap and Stile End Cap into position.

# 10

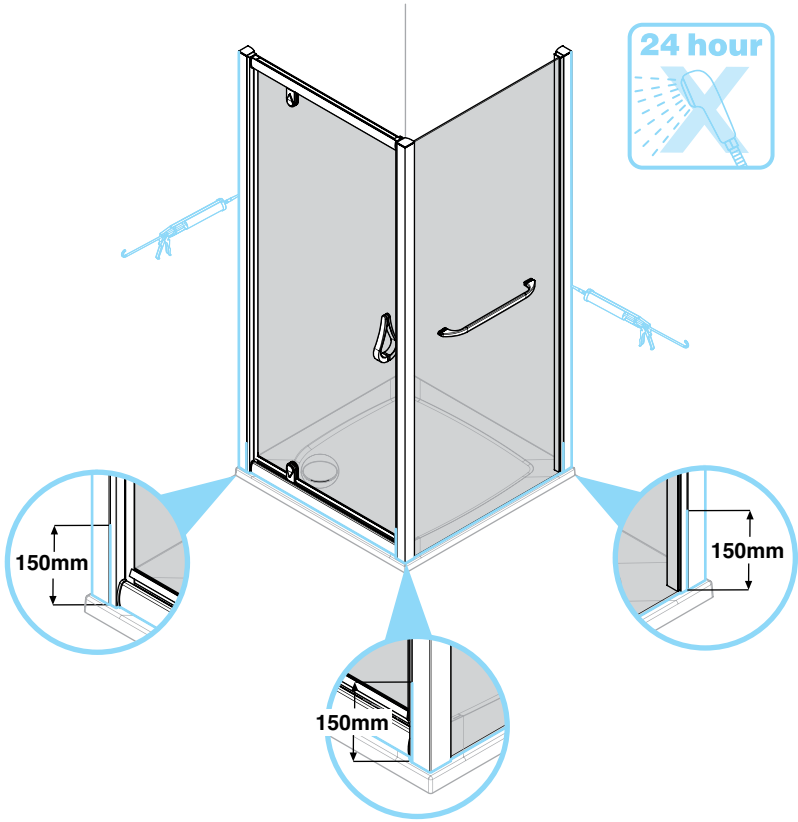
**!** Apply Silicone Sealant, (not supplied) horizontally between glass and tray only.

**!** Apply Silicone Sealant, (not supplied) vertically between wall channel and wall only.



11

**!** Apply Silicone Sealant, (not supplied).



**\*** Product Care:  
Use a non-abrasive cleaner.  
Water marks may be removed with a proprietary limescale remover or household vinegar.

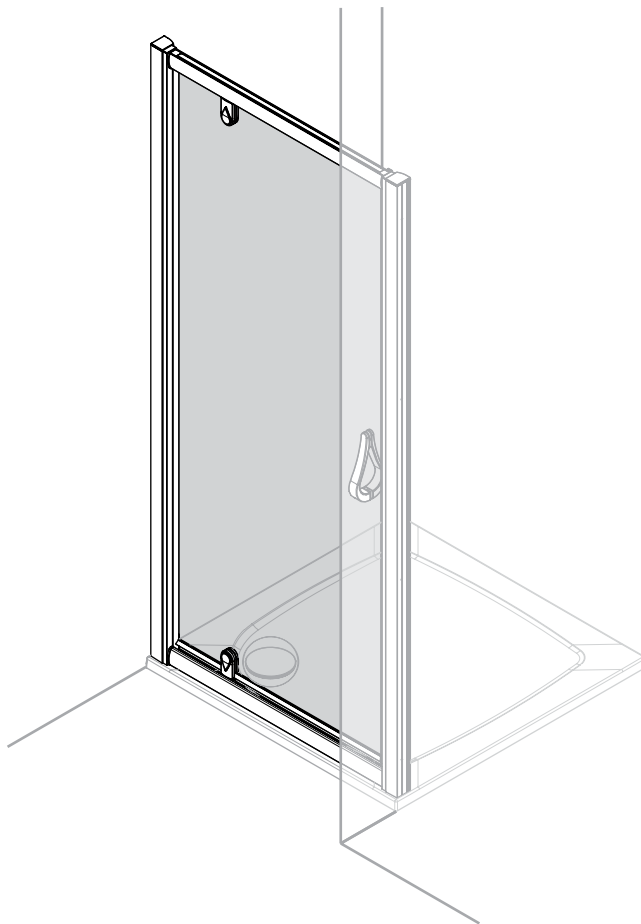
IN00418 (rev A)

# Aqua 6 Pivot Door

• Instruction suitable for both Right and Left Hand fixing variations.

**AQUA** 6  
DESIGNED AROUND YOU

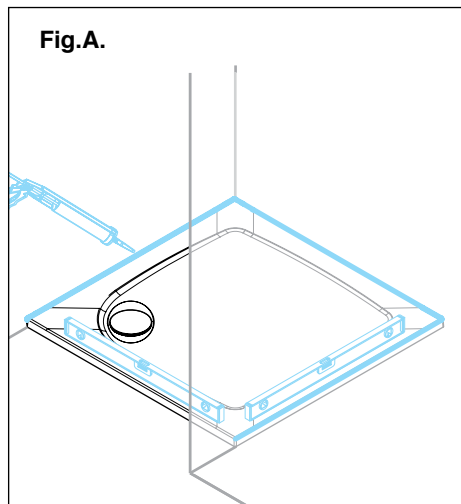
**IMPORTANT:** If installing a Pivot Door and Side Panel; ie. a corner installation, please refer to alternative fixing details on the document reverse.





## Before You Start

- Check that the tray has been installed correctly and that it is level (Fig. A), tiled down onto and sealed to the manufacturer's guidelines. **Please Note:** All product supplied without tray.
- Ensure the product is fitted to a non-porous surface ie. tiled. Check that the wall surface is flat.
- Unpack and check the product is complete and undamaged.
- Fixings are supplied for solid walls only. Ensure that the correct fixings are used for the wall type – if in doubt seek professional advice.
- Ensure the area is clean, dry and dust free.
- Read the instructions in full.
- Have the correct tools available, (as shown below, see 'Tools Required').
- It is recommended to situate the showerhead and door adjacent to each other in order to allow any water spray to be on the side panel or upstanding wall.



## Safety

- Handle all glass with care - support on cardboard to avoid risk of breakage.
- This product is heavy and requires 2 people to carry and install it.
- When drilling walls check first for hidden pipes and cables.
- All glass is toughened – it cannot be reworked or replaced by ordinary glass.
- Use safety eyewear when drilling.
- Use safety eyewear when handling glass.
- Keep all small parts away from children.

## Disclaimer

- Please notify the retailer immediately of any damage or faults. The manufacturer cannot be held responsible for any installation costs that may arise from damaged or faulty product being installed.
- Please dispose of all packaging with due regard to the environment.

## Tools Required (not supplied)

<p>Spirit Level</p>	<p>Screwdriver</p>	<p>Tape Measure</p>	<p>Pencil</p>	<p>Utility Knife</p>
<p>Junior Hacksaw</p>	<p>Silicone Gun &amp; Sealant</p>	<p>Power Drill</p>	<p>Suitable Drill Bits</p> <p>* Ensure drill bit used is suitable for wall surface</p>	



Help Line: 0870 241 6131

Lines open: 8.30am - 5.00pm Monday to Friday  
Standard National call charge rate from BT landlines

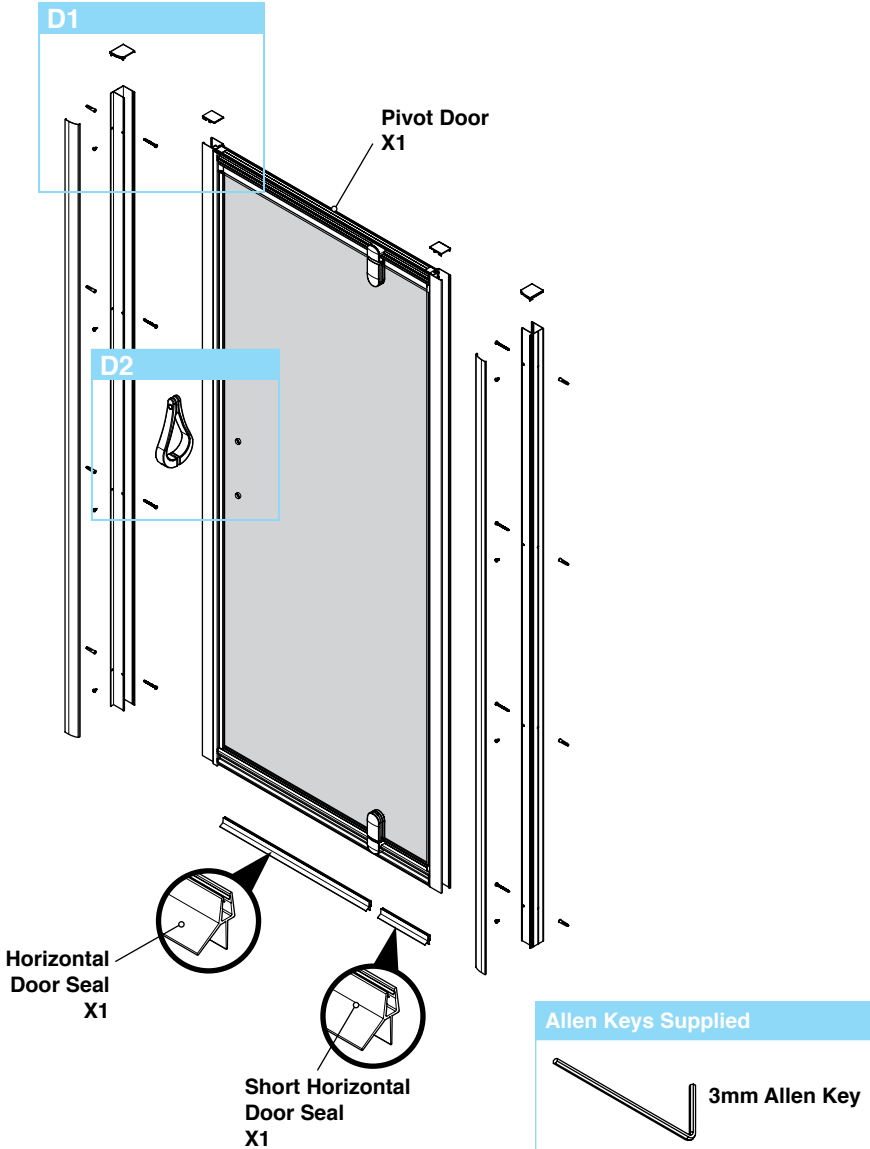
# Parts & Fittings Supplied



Please notify the retailer immediately of any damage or faults. The manufacturer cannot be held responsible for any installation costs that may arise from a damaged or faulty product being installed.



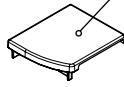
Keep small parts away from children



# D1

\*Left and right hand variants supplied

Wall Channel  
Top Cap\*  
X2



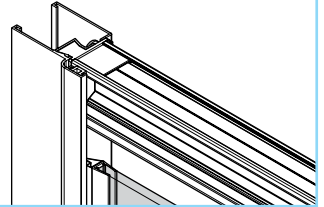
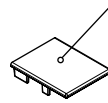
Wall Channel  
X2



Wall Channel  
Trim  
X2

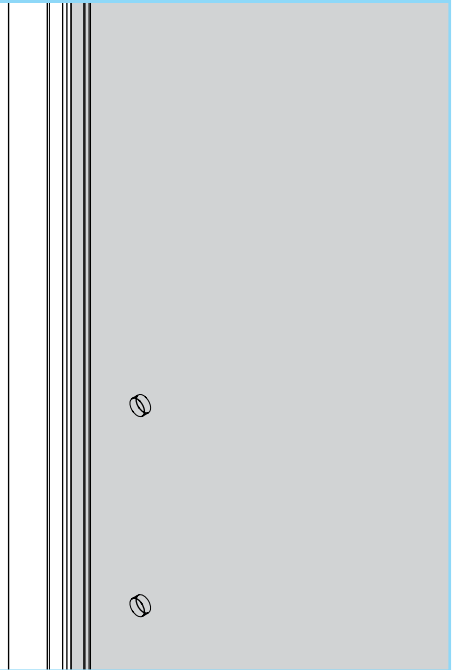
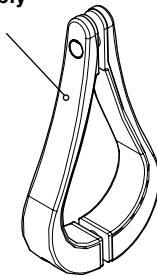


Wall Channel  
Stile Cap  
X2

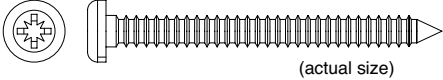


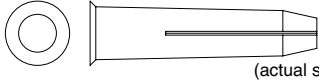
# D2

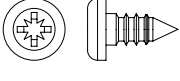
Door Handle  
Assembly  
X1



## Loose Screws & Fittings Supplied

<b>(A)</b> No.8 x 1¼" Pan Head Pozi Screws	 (actual size)	Qty
		<b>x8</b>

<b>(B)</b> Wall Plugs	 (actual size)	Qty
		<b>x8</b>

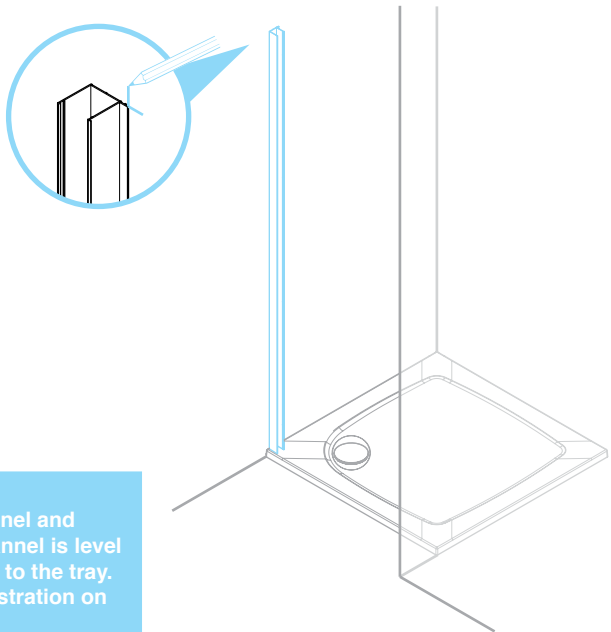
<b>(C)</b> No.8 x ¾" Pan Head Pozi Screws	 (actual size)	Qty
		<b>x8</b>

### IMPORTANT NOTE:

This installation instruction is shown with a right hand entry to the enclosure. If you would like to build your product as a variation of this (i.e. left hand entry) please mirror the details as necessary.

If in doubt please seek advise before commencing with the installation.

## 1.1

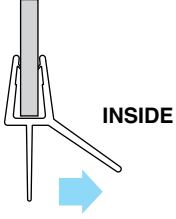


**!** Please Note:  
Position one wall channel and mark. Ensure Wall Channel is level and in correct location to the tray.  
(If in doubt refer to illustration on step 2).

**!** Please Note:  
Door opens **OUTWARDS** only.

# 1.2

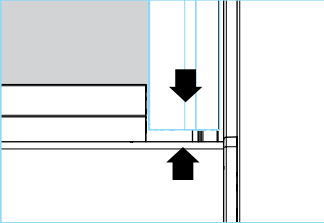
**!**



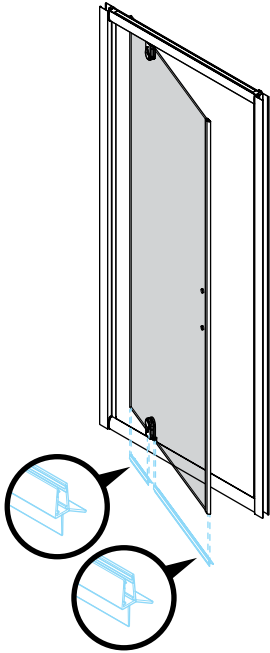
**INSIDE**

Please Note:  
Ensure deflector faces  
inwards.

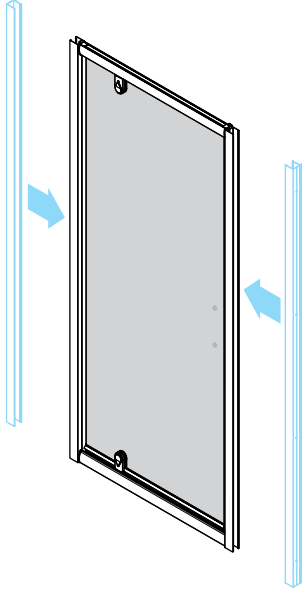
**!**



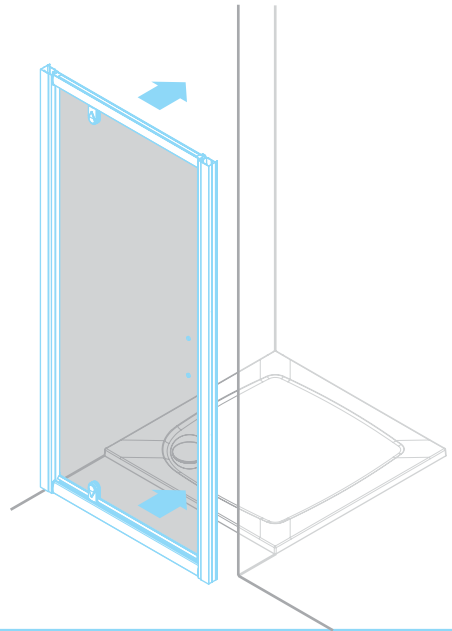
Please Note:  
Ensure that the vertical magnet  
seal (pre-fitted) just clears the  
bottom cill rail as shown.  
Adjust to suit if required.



1.3

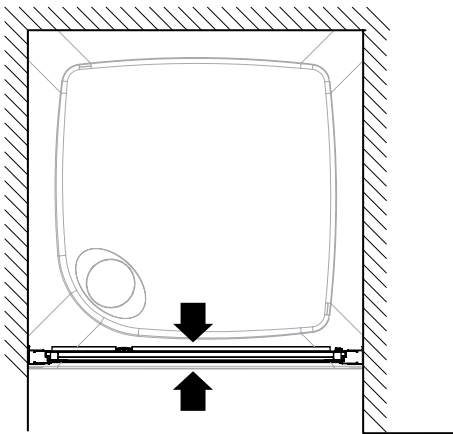


1.4



Plan View

2



Ensure glass is positioned straight and is parallel with tray.



**IMPORTANT:** Ensure Door is not twisted.  
For best results fix one side wall channel, and check door is level before continuing to fix second wall channel.



Position Wall Channel on wall as shown, ensure Wall Channel is fixed level.

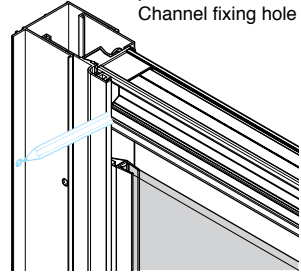


Wall plugs supplied are for solid walls only. Ensure correct wall plug for wall type is used. If in doubt seek professional advice.

### Inside View

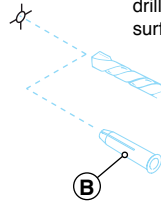
**3.1**

Mark position of pre-drilled Wall Channel fixing hole



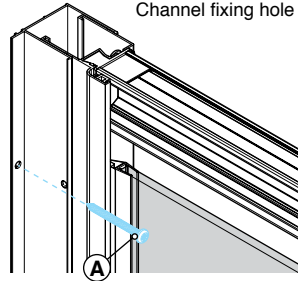
**3.2**

6mm dia. holes with drill bit suitable for wall surface

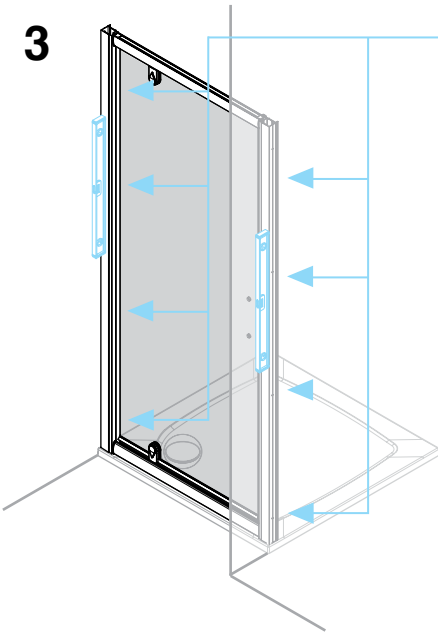


**3.3**

Fix through pre-drilled Wall Channel fixing hole



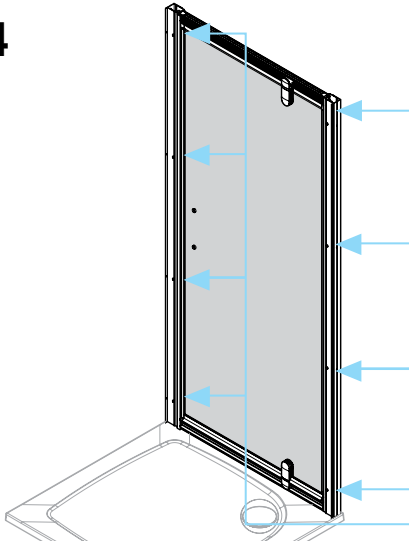
**3**



**Tip:** When drilling tiles apply masking tape to surface to stop drill bit slipping.

Inside View

4



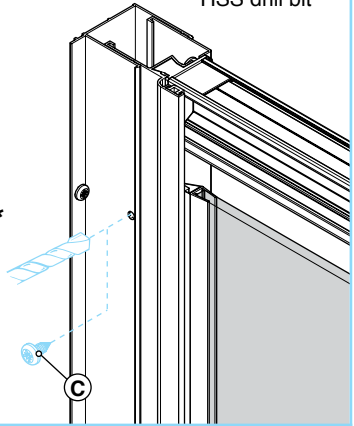
Ensure gap from the front of the tray to the front of the enclosure is a equal size all the way around.

Inside View

\*3mm dia. holes through pre-drilled holes using HSS drill bit

4.1\*

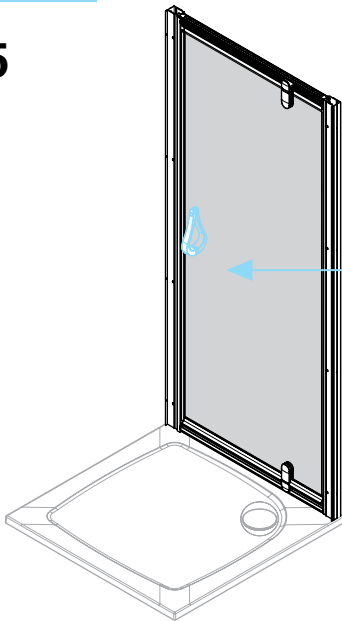
4.2



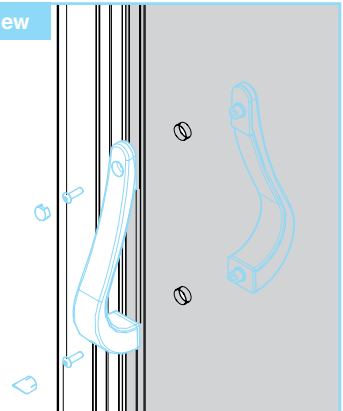
Tip: When inserting screws apply a small amount of oil to the screw thread to allow easier fixing.

Inside View

5



Inside View

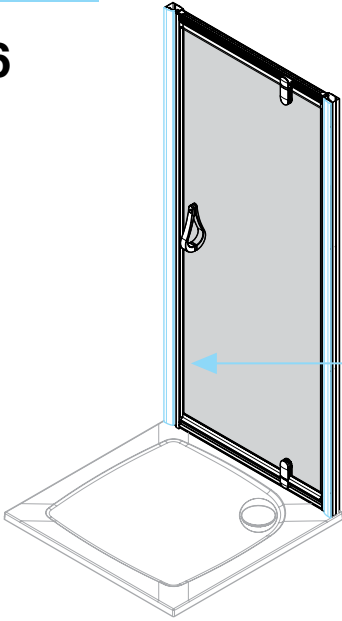


Please Note: Door Handles are supplied assembled. Using Allen key supplied, disassemble part and then re-assemble as shown. Ensure all screw heads are on the enclosure interior. DO NOT overtighten.



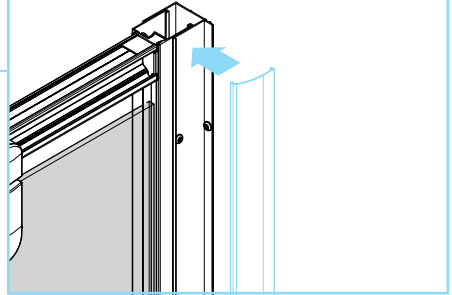
Inside View

6

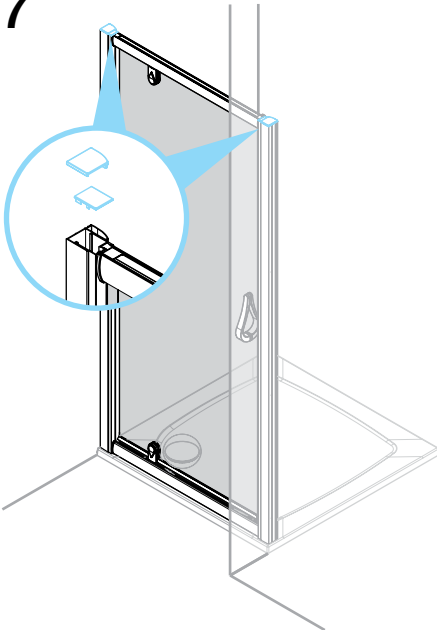


Inside View

Push fit Wall Channel Trim



7



Push fit Wall Channel End Cap and Stile End Cap into position.



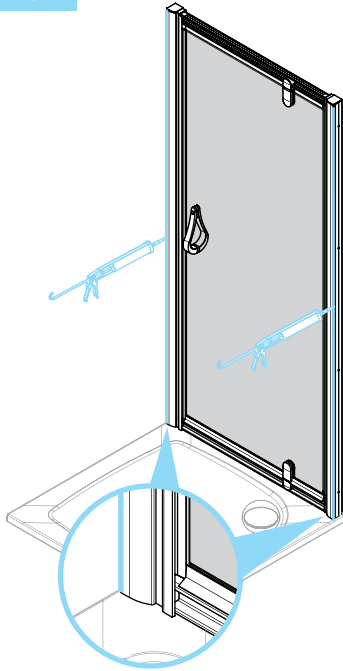
For best results, locate Stile Caps at the back edge first in the 'U' feature.



Take care not to let Wall Channel End Caps or Stile End Caps slip down the Wall Channel.

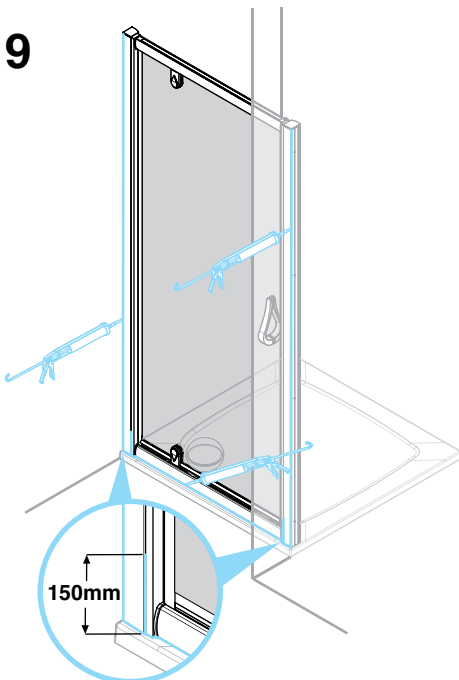
Inside View

8



Apply Silicone Sealant, (not supplied) vertically between wall channel and wall only.

9



Apply Silicone Sealant, (not supplied).



Product Care:  
Use a non-abrasive cleaner.  
Water marks may be removed with a proprietary limescale remover or household vinegar.



