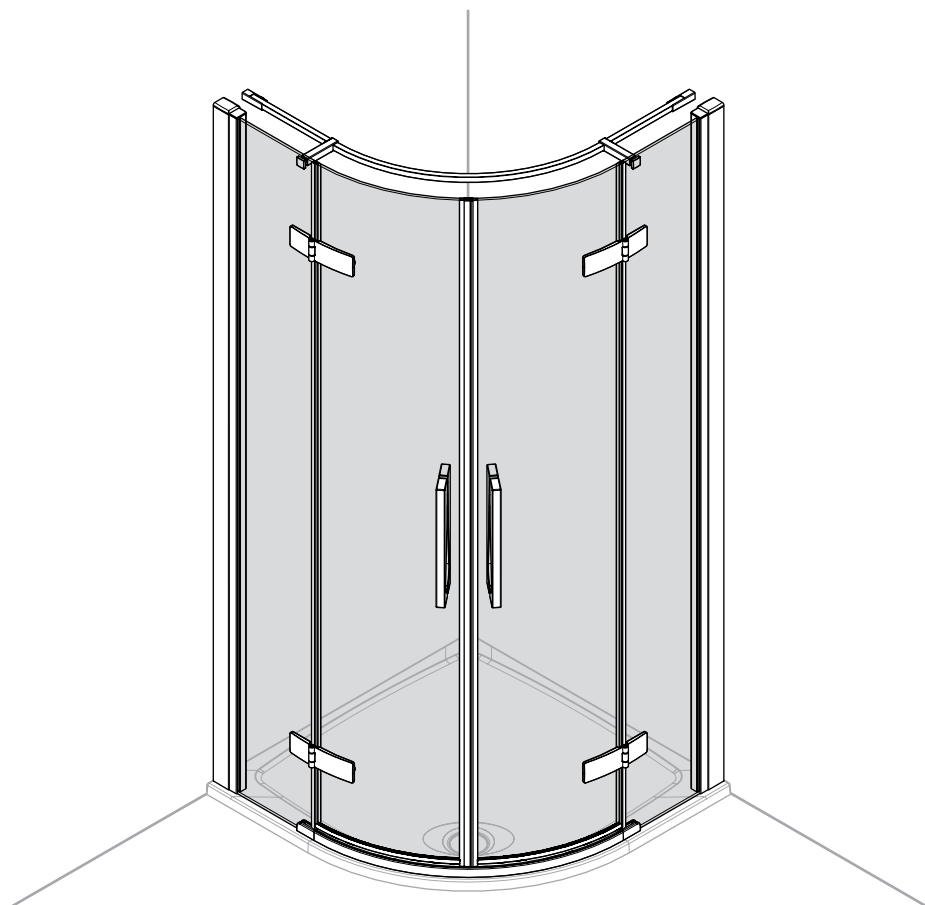


IN00428 (rev B)

Aqua 8 Hinge Quadrant

• Door is designed to open outwards only

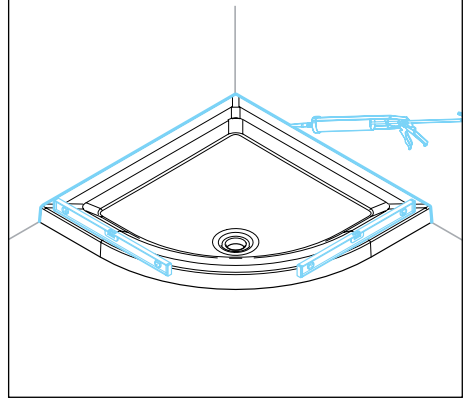
AQUA 8
DESIGNED AROUND YOU



Before You Start

- Check that the tray has been installed correctly and that it is level (Fig. A), tiled down onto and sealed to the manufacturer's guidelines. **Please Note:** All product supplied without tray.
- Ensure the product is fitted to a non-porous surface ie. tiled. Check that the wall surface is flat.
- Unpack and check the product is complete and undamaged.
- Fixings are supplied for solid walls only. Ensure that the correct fixings are used for the wall type – if in doubt seek professional advice.
- Ensure the area is clean, dry and dust free.
- Read the instructions in full.
- Have the correct tools available, (as shown below, see 'Tools Required').
- It is recommended to situate the showerhead and door adjacent to each other in order to allow any water spray to be on the side panel or upstanding wall.

Fig.A.



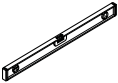
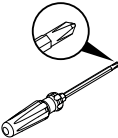
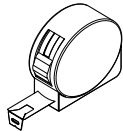
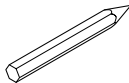
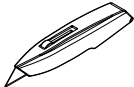
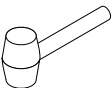

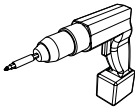

Safety

- Handle all glass with care - support on cardboard to avoid risk of breakage.
- This product is heavy and requires 2 people to carry and install it.
- When drilling walls check first for hidden pipes and cables.
- All glass is toughened – it cannot be reworked or replaced by ordinary glass.
- Use safety eyewear when drilling.
- Use safety eyewear when handling glass.
- Keep all small parts away from children.

Disclaimer

- Please notify the retailer immediately of any damage or faults. The manufacturer cannot be held responsible for any installation costs that may arise from damaged or faulty product being installed.
- Please dispose of all packaging with due regard to the environment.

Tools Required (not supplied)

<p>Spirit Level</p> 	<p>Screwdriver</p> 	<p>Tape Measure</p> 	<p>Pencil</p> 	<p>Utility Knife</p> 
<p>Rubber Mallet</p> 	<p>Silicone Gun & Sealant</p> 	<p>Power Drill</p> 	<p>Suitable Drill Bits</p>  <p>6mm dia. *</p>	<p>* Ensure drill bit used is suitable for wall surface</p>



Help Line: 0870 241 6131

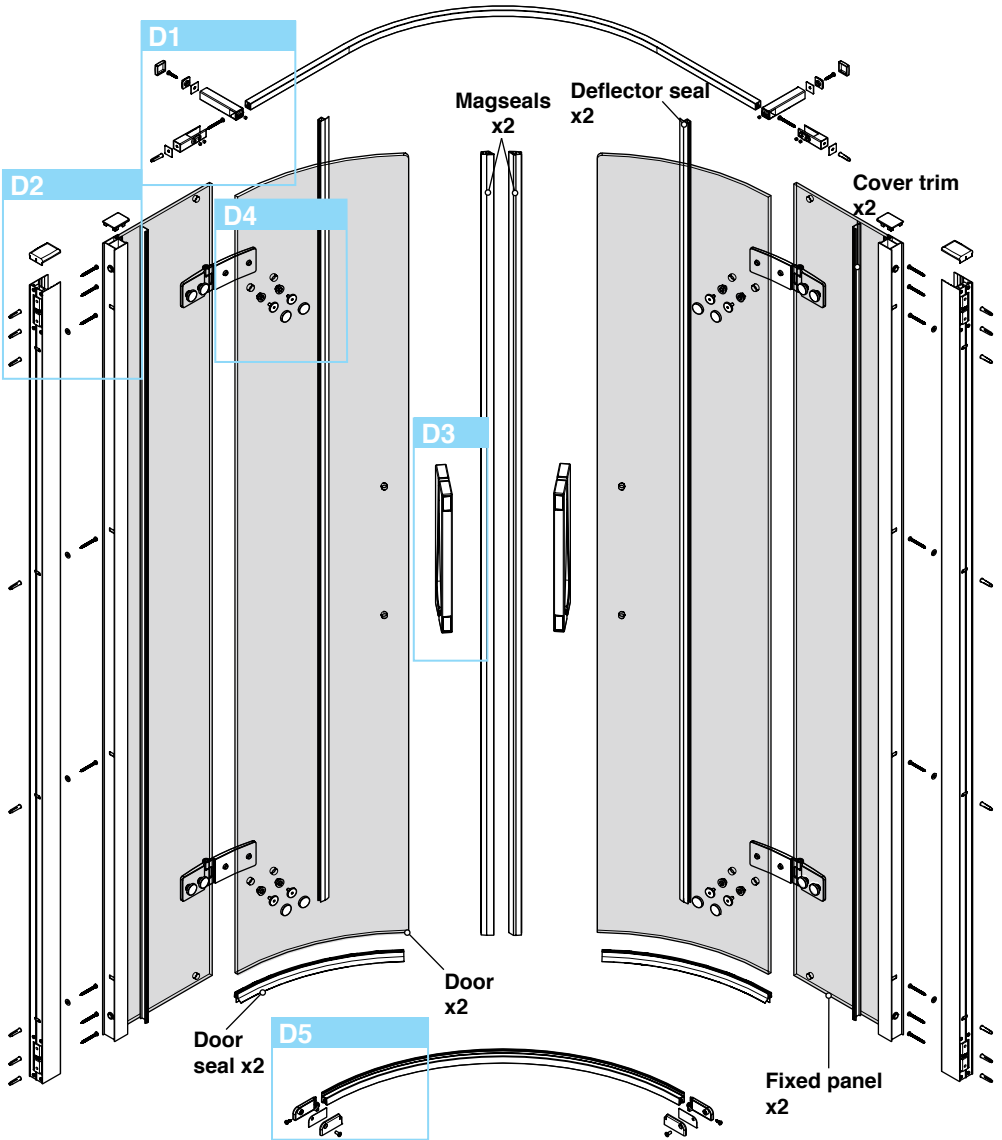
Lines open: 8.30am - 5.00pm Monday to Friday
Standard National call charge rate from BT landlines

Parts & Fittings Supplied

Please notify the retailer immediately of any damage or faults. The manufacturer cannot be held responsible for any installation costs that may arise from a damaged or faulty product being installed.



Keep small parts away from children



Allen Keys Supplied



3mm Allen Key

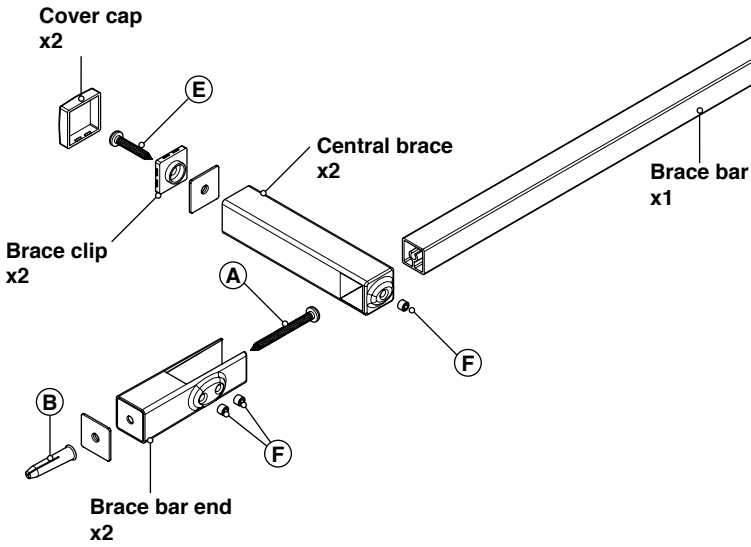


4mm Allen Key

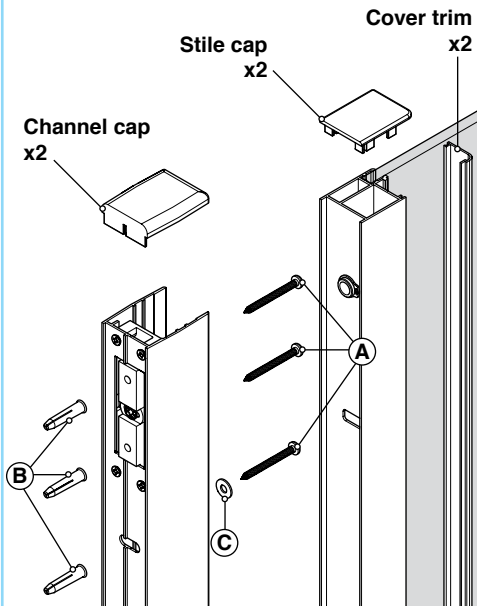


10mm Allen Key

D1

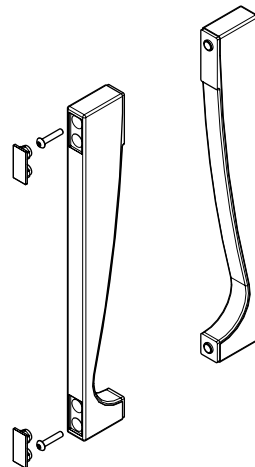


D2

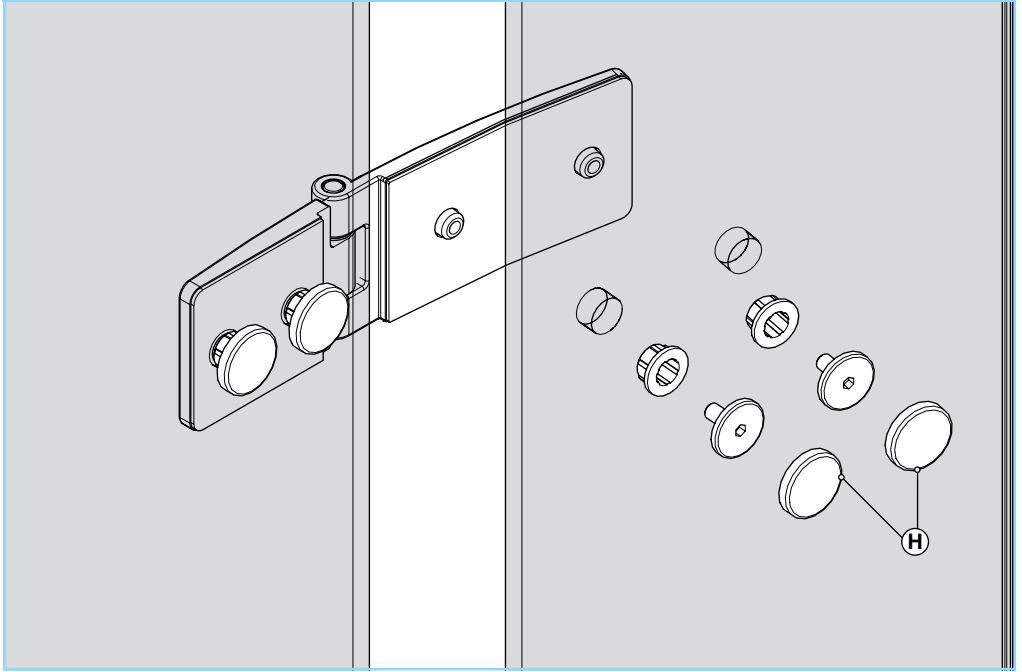


D3

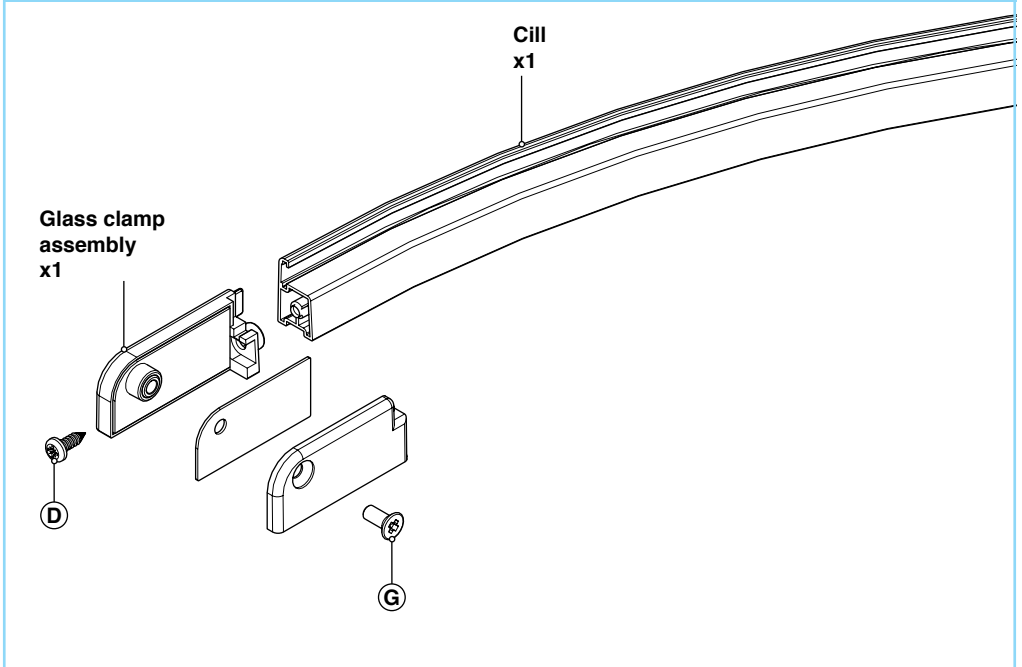
**Handle assembly
X1**



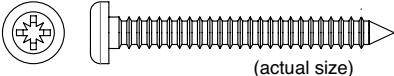

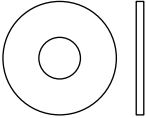
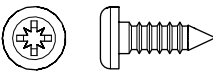
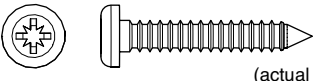

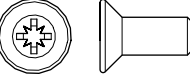
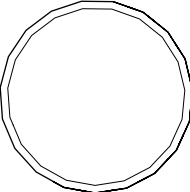
D4



D5



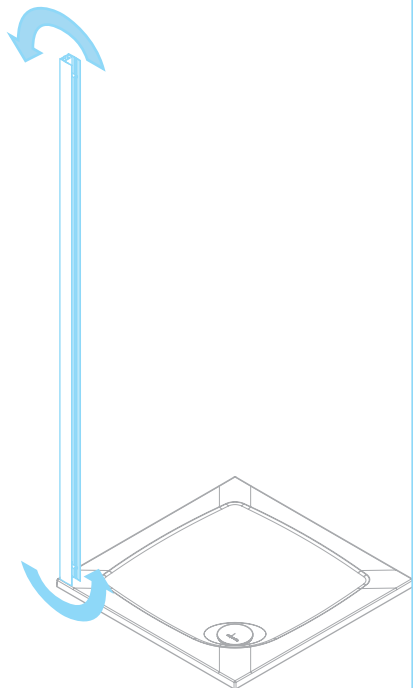
Loose Screws & Fittings Supplied

(A)	No.8 x 1½" Pan Head Pozi Screws	 <p>(actual size)</p>	Qty x18
(B)	Wall Plugs	 <p>(actual size)</p>	Qty x18
(C)	Washer 15mm OD, 5.5mm ID 1mm thick	 <p>(actual size)</p>	Qty x8
(D)	No 8 x 0.5 Pan Pozi Screws	 <p>(actual size)</p>	Qty x2
(E)	No.8 x 1" Pan Head Pozi Screws	 <p>(actual size)</p>	Qty x2
(F)	M5 x 5mm Grub screw	 <p>(actual size)</p>	Qty x6
(G)	M5 x 12 Countersunk Head Pozi Drive Screw	 <p>(actual size)</p>	Qty x2
(H)	Hinge cover Cap	 <p>(actual size)</p>	Qty x8



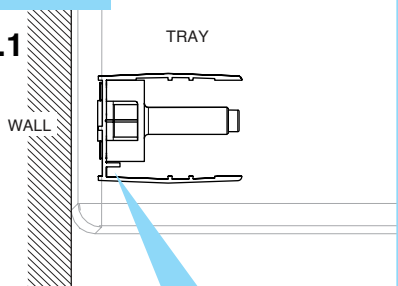
Rotate wall channel for alternative hand fixing

1



Plan View

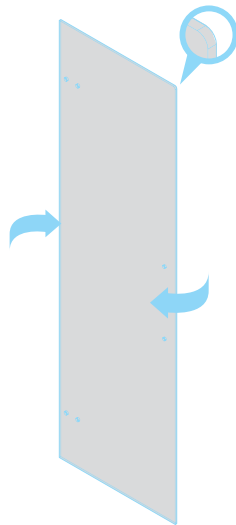
1.1



Ensure that the wall channel is correctly oriented. The gap should be on the outboard side.



There is a radius to show the top side.



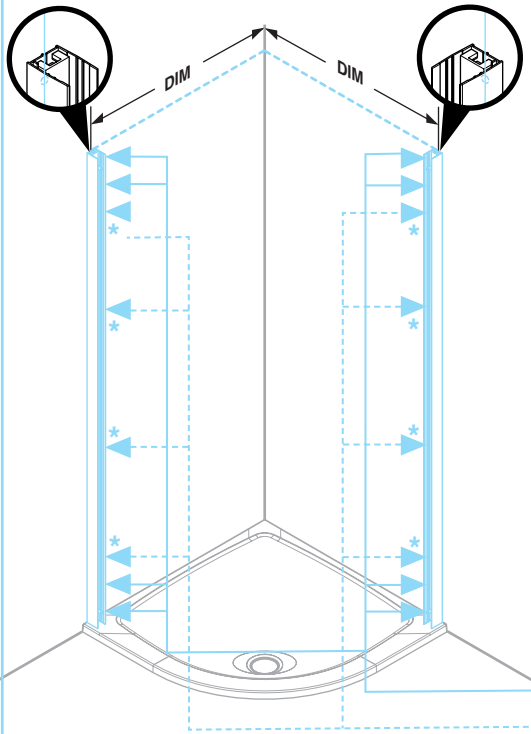


Wall plugs supplied are for solid walls only. Ensure correct wall plug for wall type is used. If in doubt seek professional advice.



Position wall channels on wall. Ensure channel is vertically level.

2



* Dimension from **Wall** to **centre of channel holes**

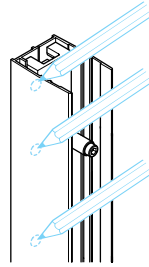
DIM

800mm Quadrant = Dim 748

900mm Quadrant = Dim 848

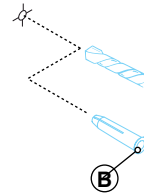
2.1

Mark centre position of pre-drilled channel holes.

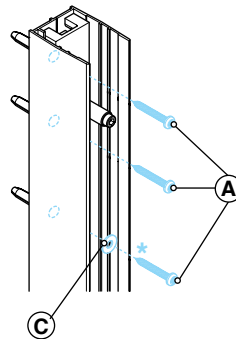


2.2

6mm dia. holes with drill bit suitable for wall surface.



2.3

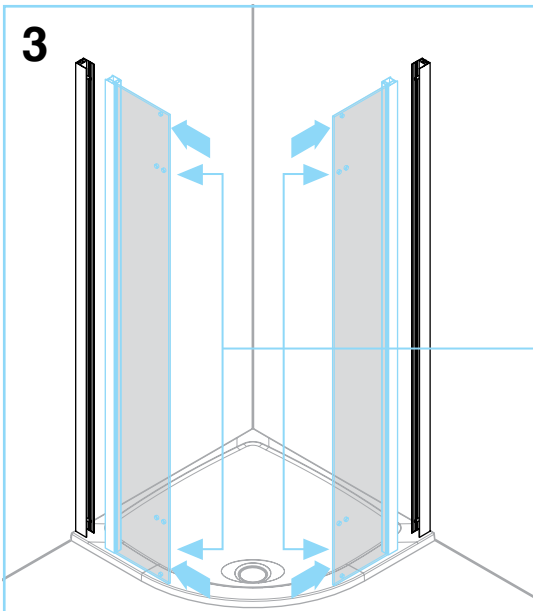


Fully tighten only the screws that pass through the adjuster block. The screws that fasten with a washer should be left loose by at least one turn



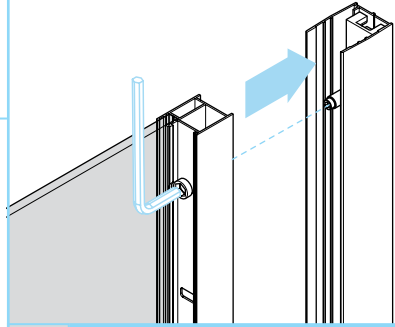
Tip: When drilling tiles apply masking tape to surface to stop drill bit slipping.

3



Inside View

3.1



Using the larger allen key progressively, tighten the panel to the wall channel. Alternate from top to bottom and ensure the channel is fully screwed into the wall channel.

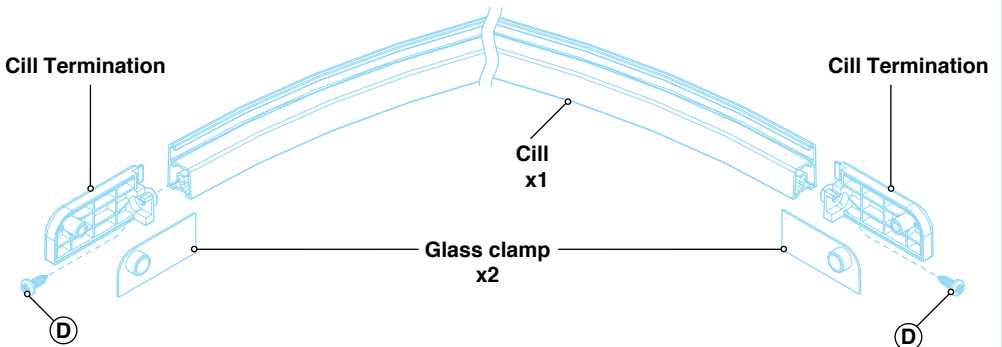


Insert stiles into wall channels.



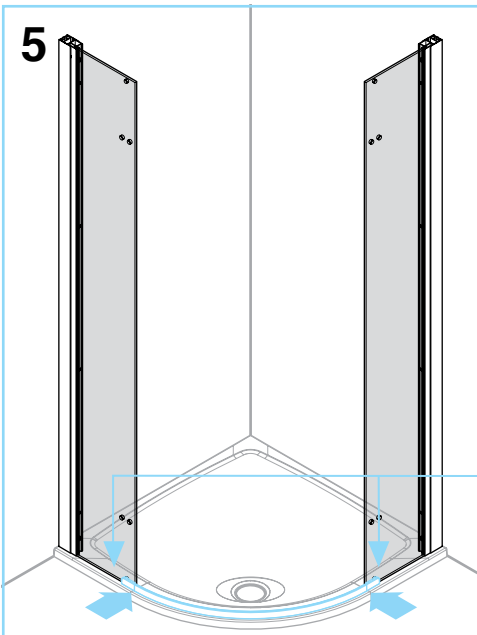
Inside View

4



Assemble Cill

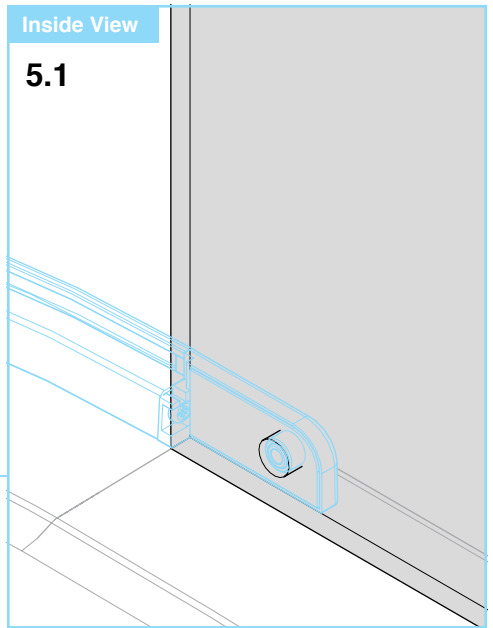
5



Fit cill assembly into position.

Inside View

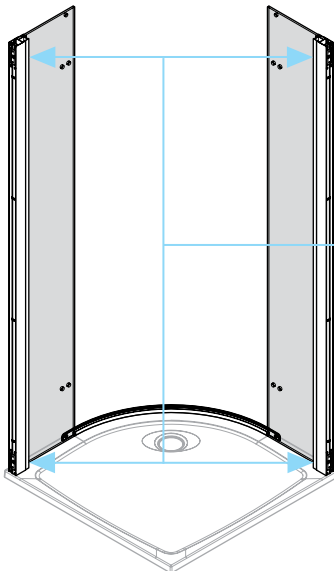
5.1



Ensure cill assembly slots correctly into stile

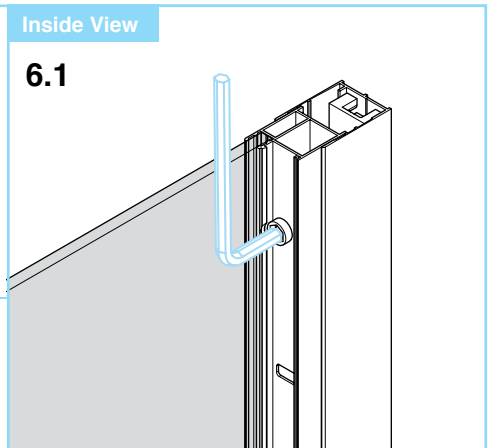
Inside View

6



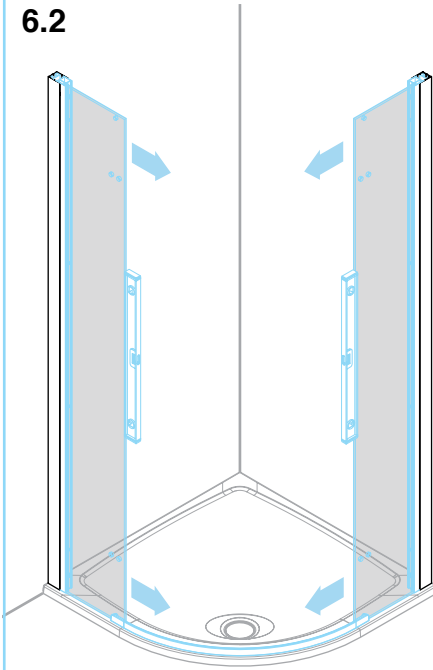
Inside View

6.1

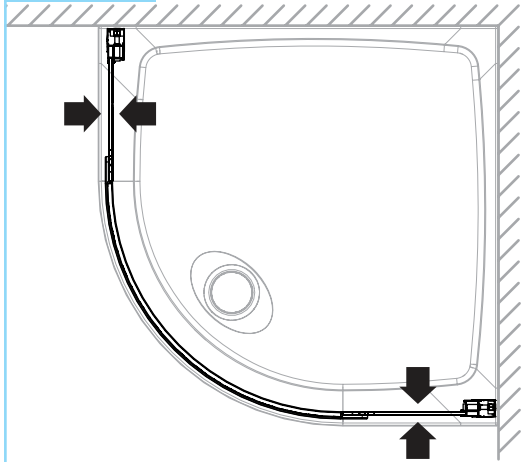


Using the larger allen key progressively, evenly alternating from side to side unwind until sides are square & the cill terminations fit into place.

6.2



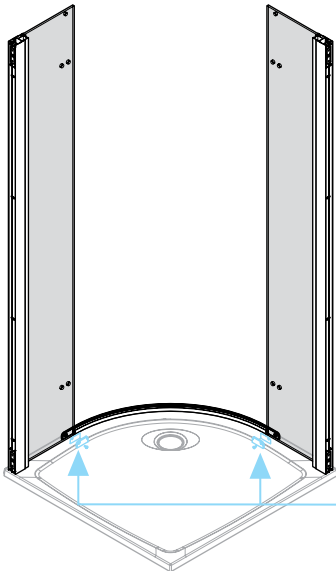
Plan View



IMPORTANT NOTE
Ensure glass is positioned straight and is parallel with tray.

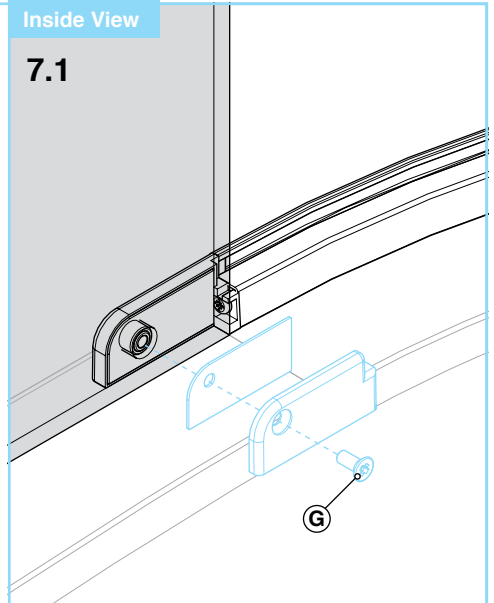
Inside View

7



Inside View

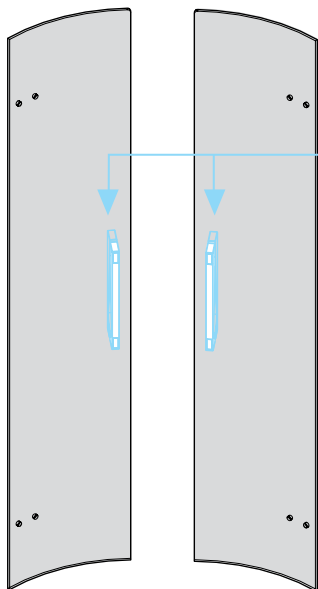
7.1



Attach fixed panel to glass clamp.

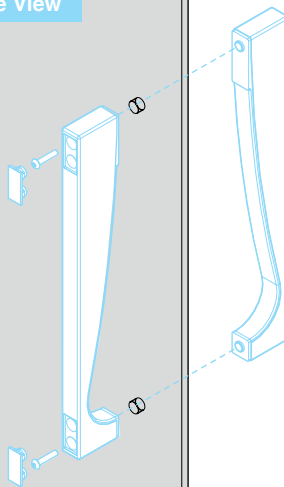
Inside View

8



Inside View

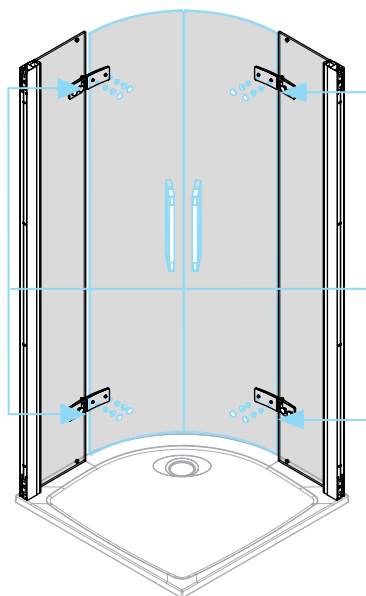
8.1



Please Note: Door handles are supplied assembled. Using Allen key supplied, disassemble part and then re-assemble as shown. Ensure all screw heads are on the enclosure interior. DO NOT overtighten.

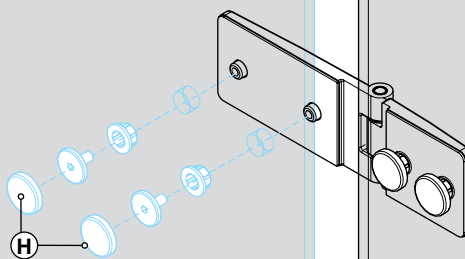
Inside View

9



Inside View

9.1



Remove glass screws and bushes from hinges & reassemble as shown.



Assemble glass panel onto hinge profile

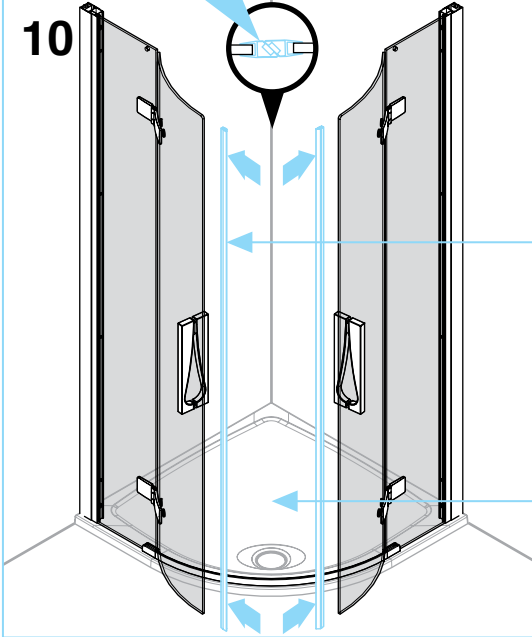


Tip: Insert glass bush into glass first using a small rubber mallet

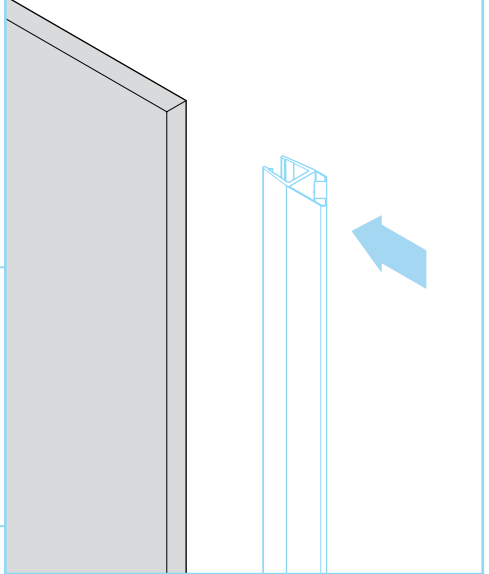


Fit ensuring correct magnet seal orientation when door is closed

10

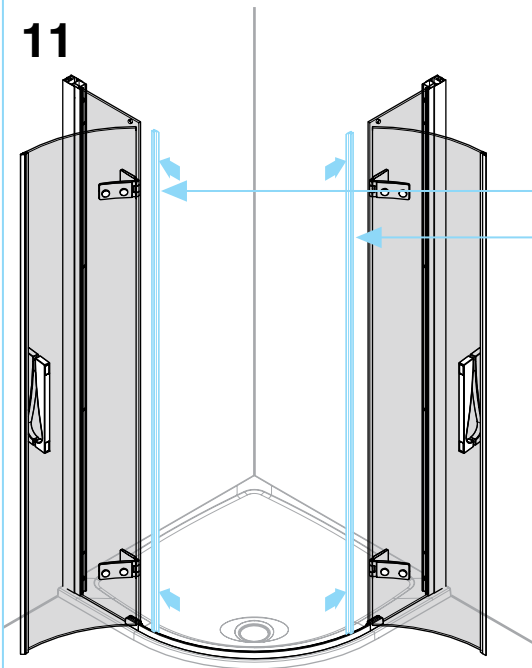


10.1



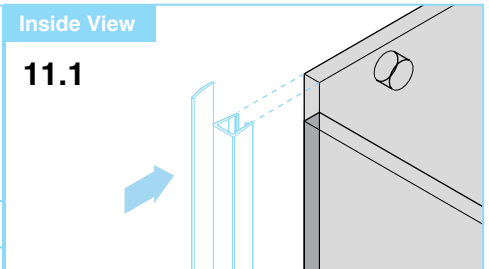
Tip: Start at the top & work downwards. Make sure the top of the seal is flush with edge of the panel.

11



Inside View

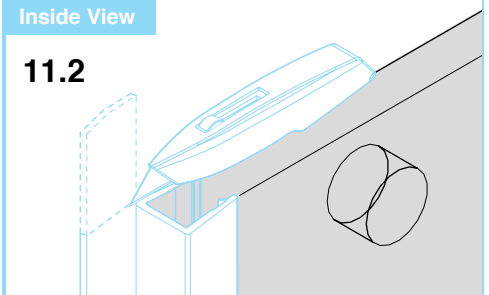
11.1



Tip: Start at the top & work down. Ensure the top of the seal is flush.

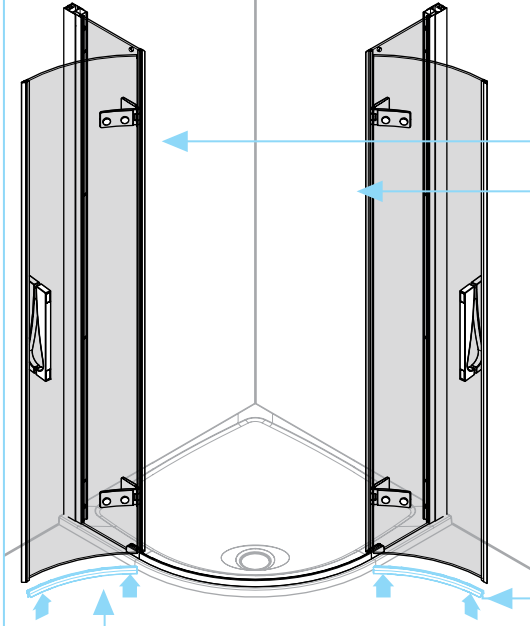
Inside View

11.2

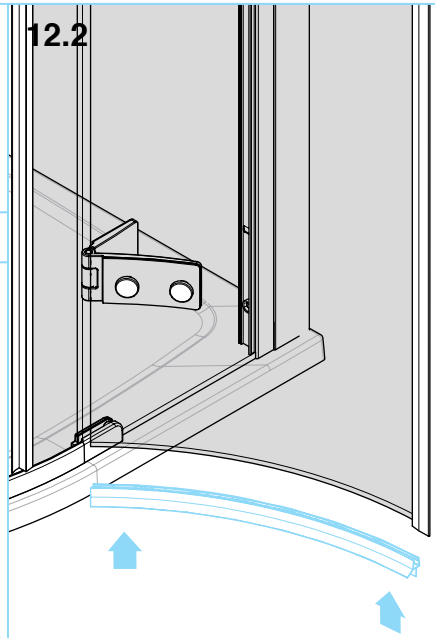


Using a knife cut off the excess seal.

12

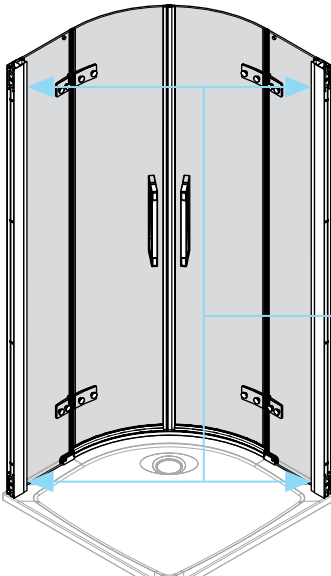


12.2

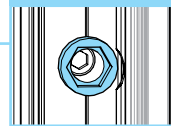


Tip: Start at outside & work across. Ensure the outside edge is flush.

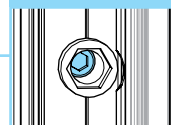
Adjustment - Inside view



Inner screw



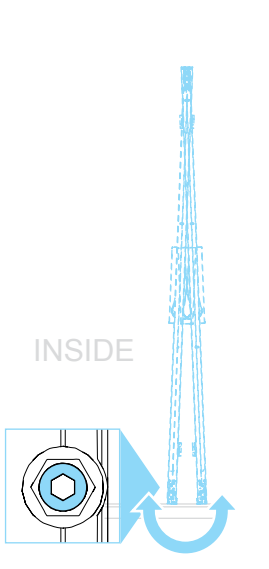
Outer screw



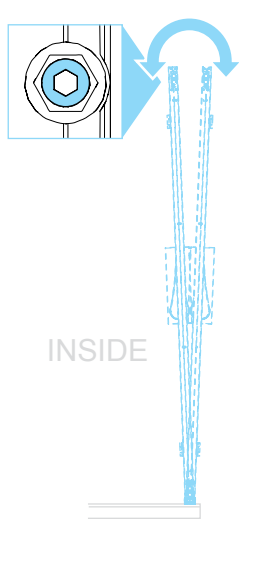
Adjustment screws are located on the stiles profile at the top & bottom. Adjustment is made using the large & small allen keys. Adjustment is provided for each side.

Inner screw adjustment of one profile - Adjustment is provided for each.

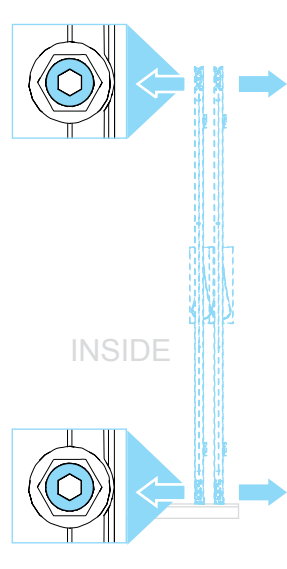
Bottom inner screw adjustment
rotates the lower part of the
profile



Top inner screw adjustment
rotates the top part of the profile

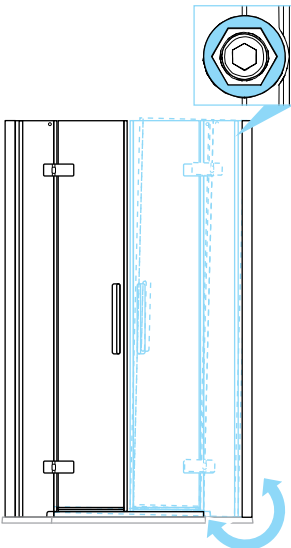


Top & bottom inner screw adjustment
moves the profile horizontally

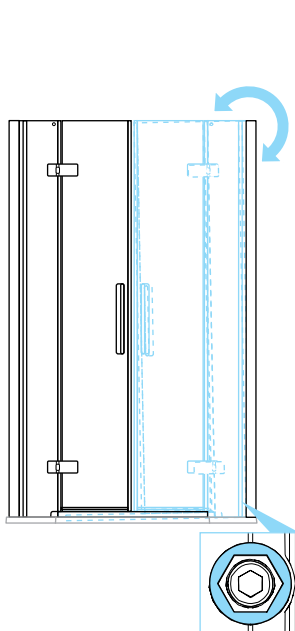


Inner screw adjustment of one profile - Adjustment is provided for each.

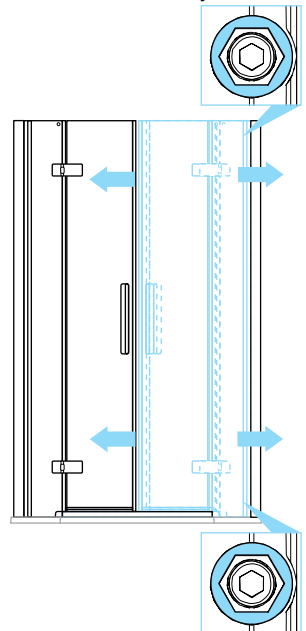
Bottom outer screw adjustment
tilts the profile from the top



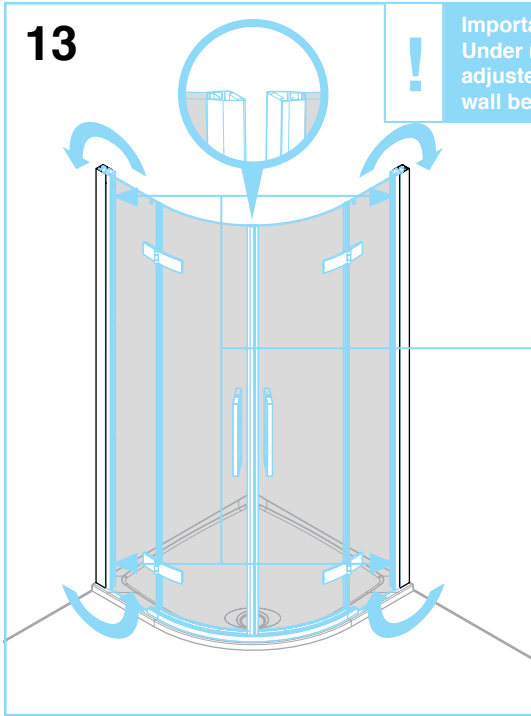
Bottom outer screw adjustment
tilts the profile from the bottom



Top & bottom inner screw adjustment
moves the profile horizontally

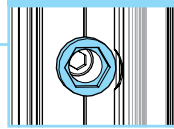


13

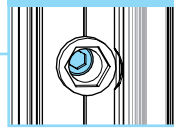


Important Note:
Under no circumstances must the outer screw be adjusted so that the screen moves away from the wall beyond 25mm from its minimum point.

Inner screw



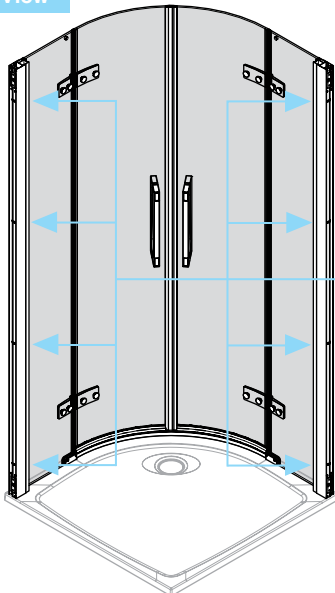
Outer screw



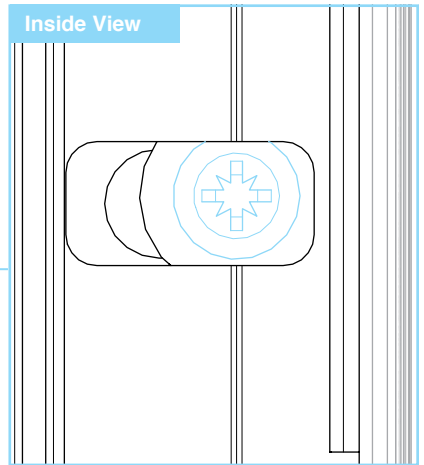
The outer screw can be used to adjust the wall channel for uneven walls. The Inner & outer screws adjustment should be used to level ensuring a good seal on the door stop mag seal.

Inside View

14



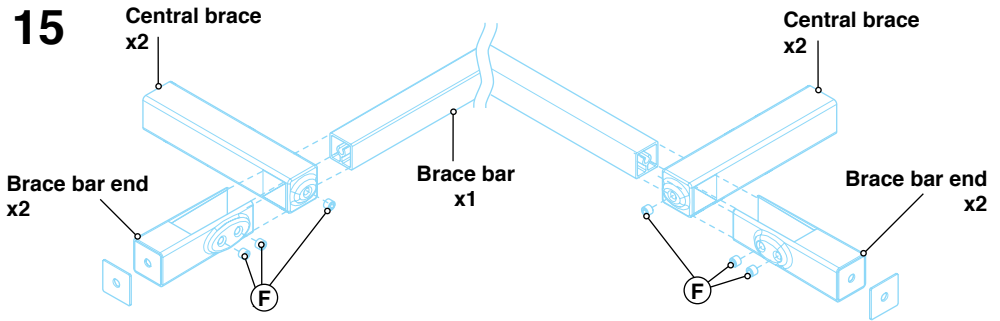
Inside View



Lock the adjustment mechanism by fully tightening these screws.

Inside View

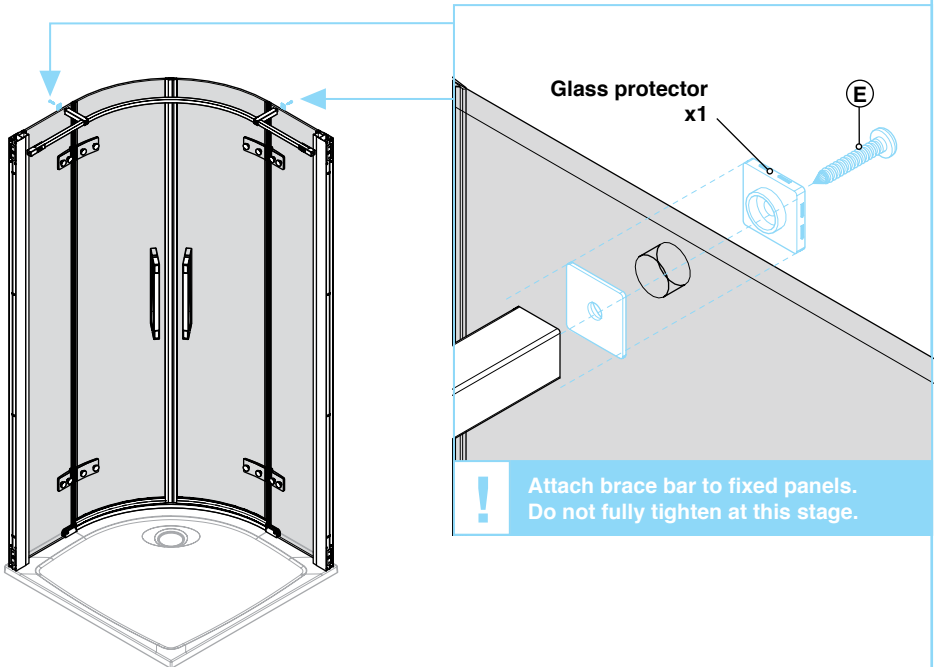
15



Assemble brace bar.
Do not fully tighten.

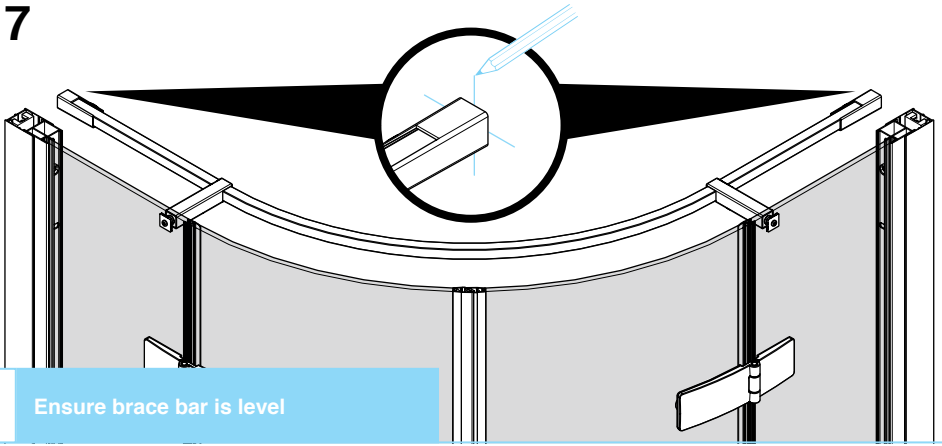
Inside View

16



Attach brace bar to fixed panels.
Do not fully tighten at this stage.

17

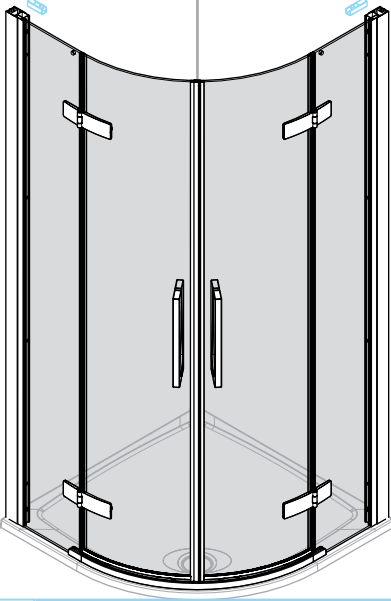


Ensure brace bar is level



Wall plugs supplied are for solid walls only. Ensure correct wall plug for wall type is used. If in doubt seek professional advice.

18

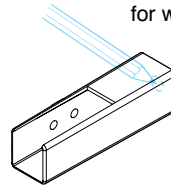


Tip: When drilling tiles apply masking tape to surface to stop drill bit slipping.

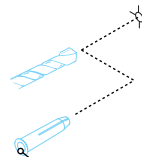
Inside View

18.1

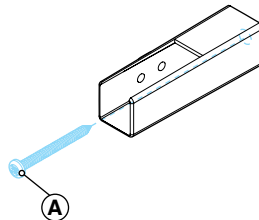
6mm dia. holes with drill bit suitable for wall surface.



18.2

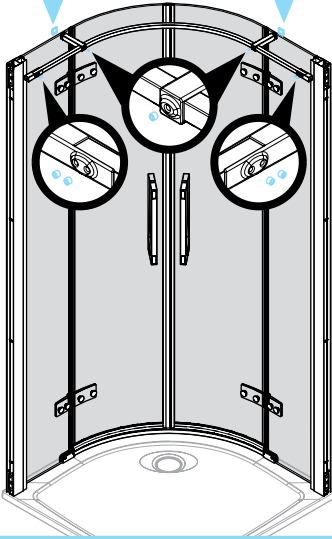


18.3



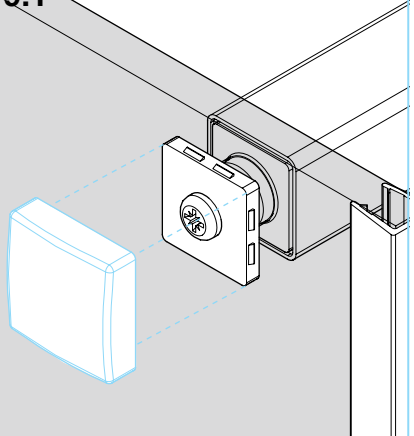
Inside View

19



! Secure brace bar Bracket by tightening grub screws

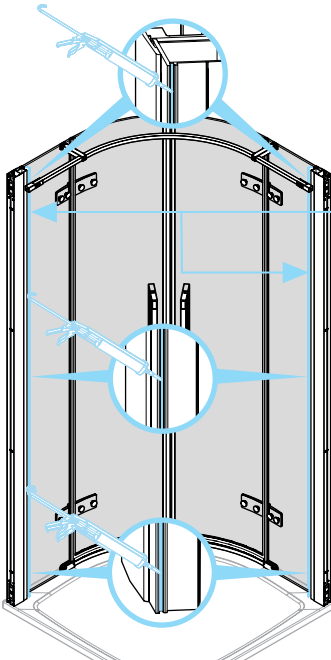
19.1



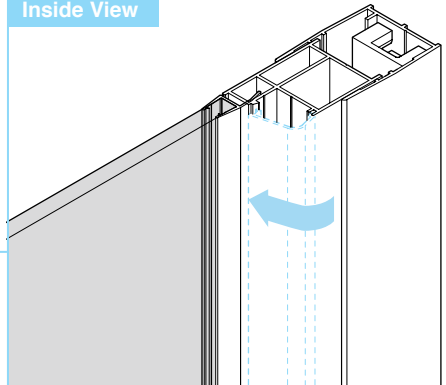
Fit cover cap push until it "clicks"

Inside View

20



Inside View



Apply Silicone Sealant, (not supplied) into the groove at the top, middle & bottom of stile, remove any excess silicon.

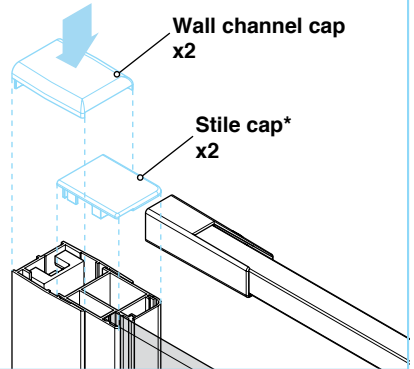
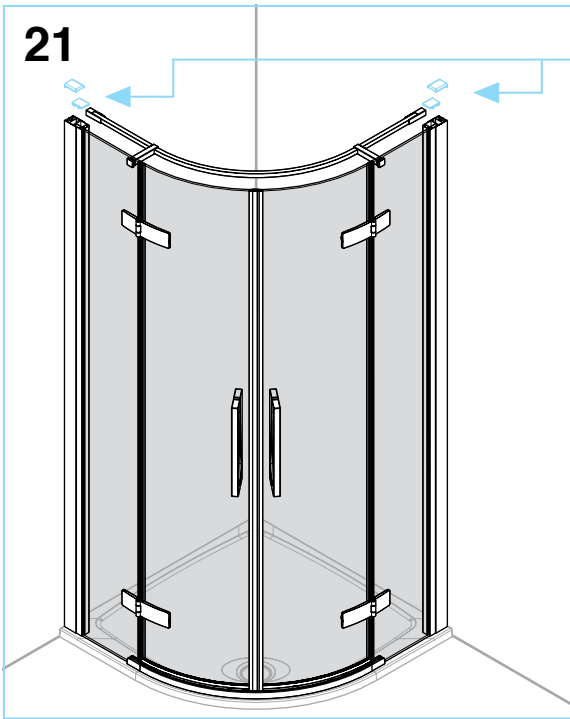


Fit the channel trim by positioning the edge into the groove and pushing the front "clicks" into place.



Trims differ per side.

21

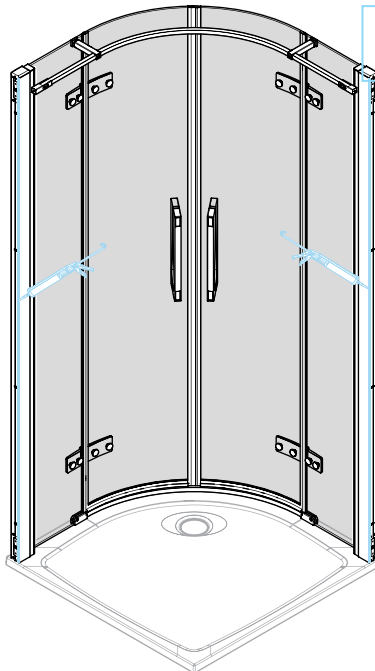


! Push fit Stile Cap, Wall Channel Cap into position.

***** Stile caps are handed.

***** Take Care not to let Stile Cap & Wall Channel Cap slip down the Wall Channel.

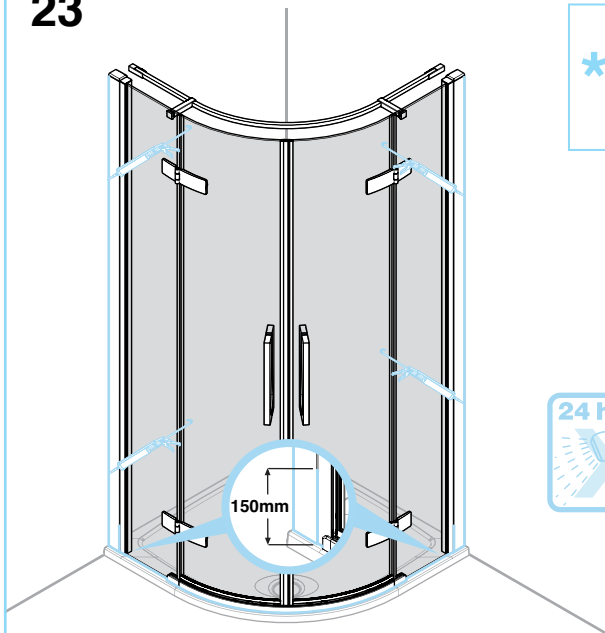
22



! Apply Silicone Sealant, (not supplied).



23



Product Care:

Use a non abrasive cleaner. Water marks may be removed with a proprietary limescale remover or household vinegar.



Apply Silicone Sealant, (not supplied).



Notes:

Notes:

Notes:

Notes:

Notes:

