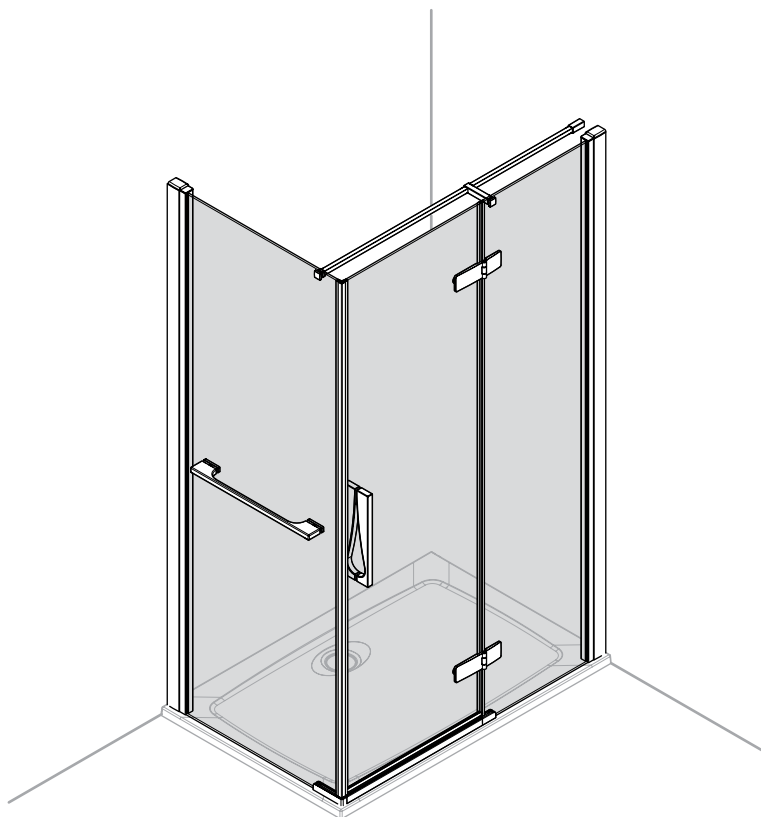


IN00427 (rev B)

# Aqua 8 Hinge 1200 Pivot Door with Fixed & Side Panel

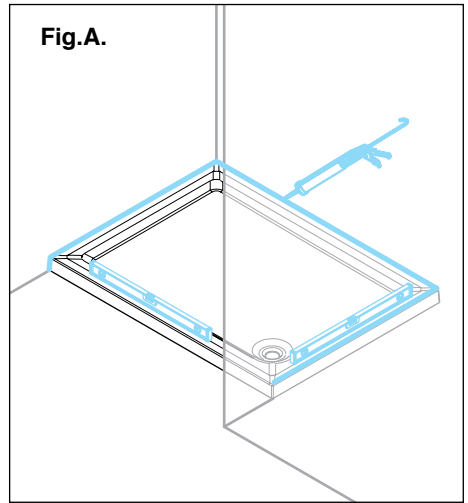
**AQUA** 8  
DESIGNED AROUND YOU

- Instruction suitable for both Right and Left Hand fixing variations.
- Door is designed to open outwards only.



## Before You Start

- Check that the tray has been installed correctly and that it is level (Fig. A), tiled down onto and sealed to the manufacturer's guidelines. **Please Note:** All product supplied without tray.
- Ensure the product is fitted to a non-porous surface ie. tiled. Check that the wall surface is flat.
- Unpack and check the product is complete and undamaged.
- Fixings are supplied for solid walls only. Ensure that the correct fixings are used for the wall type – if in doubt seek professional advice.
- Ensure the area is clean, dry and dust free.
- Read the instructions in full.
- Have the correct tools available, (as shown below, see 'Tools Required').
- It is recommended to situate the showerhead and door adjacent to each other in order to allow any water spray to be on the side panel or upstanding wall.



## Safety

- Handle all glass with care - support on cardboard to avoid risk of breakage.
- This product is heavy and requires 2 people to carry and install it.
- When drilling walls check first for hidden pipes and cables.
- All glass is toughened – it cannot be reworked or replaced by ordinary glass.
- Use safety eyewear when drilling.
- Use safety eyewear when handling glass.
- Keep all small parts away from children.

## Disclaimer

- Please notify the retailer immediately of any damage or faults. The manufacturer cannot be held responsible for any installation costs that may arise from damaged or faulty product being installed.
- Please dispose of all packaging with due regard to the environment.

## Tools Required (not supplied)

<p>Spirit Level</p>	<p>Screwdriver</p>	<p>Tape Measure</p>	<p>Pencil</p>	<p>Utility Knife</p>
<p>Rubber Mallet</p>	<p>Silicone Gun &amp; Sealant</p>	<p>Power Drill</p>	<p>Suitable Drill Bits</p> 	<p>* Ensure drill bit used is suitable for wall surface</p>



**Help Line: 0870 241 6131**

Lines open: 8.30am - 5.00pm Monday to Friday  
Standard National call charge rate from BT landlines

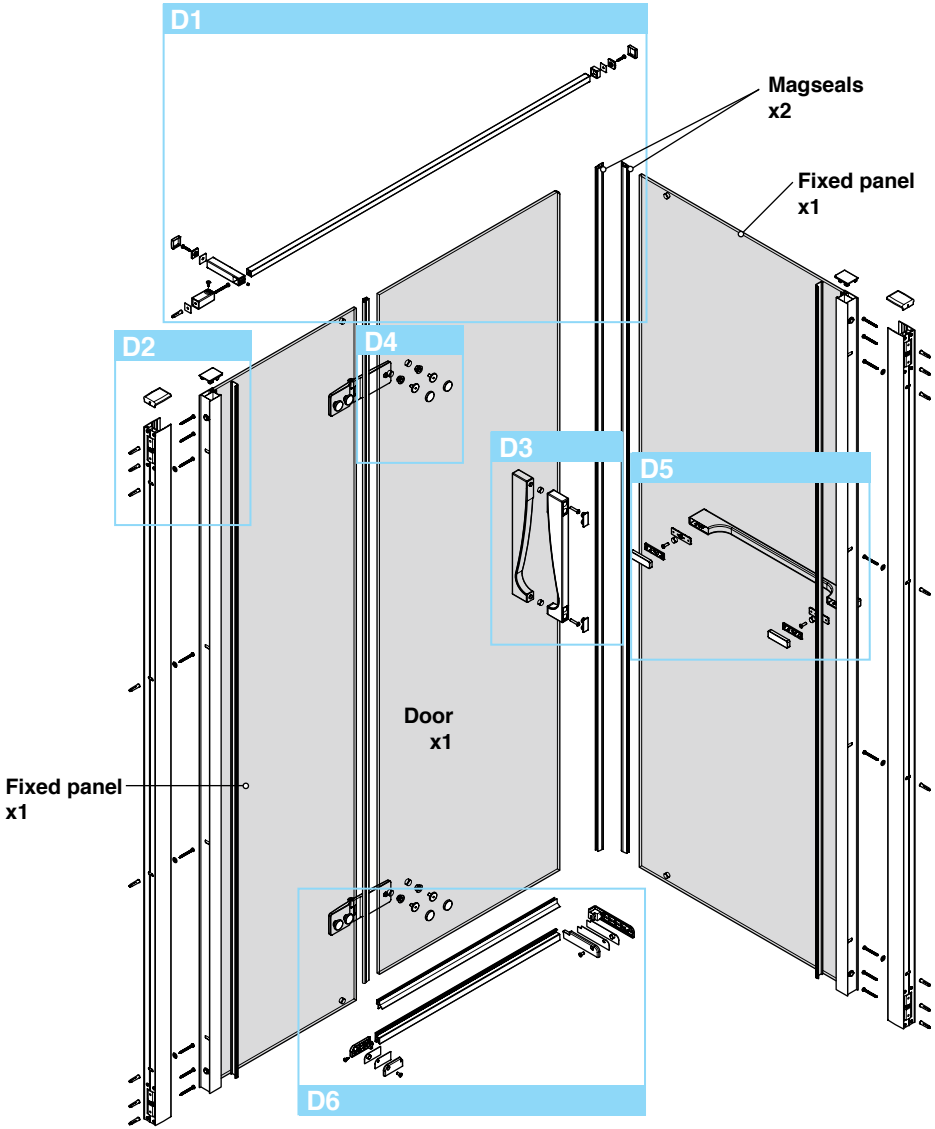
# Parts & Fittings Supplied



Keep small parts away from children



Please notify the retailer immediately of any damage or faults. The manufacturer cannot be held responsible for any installation costs that may arise from a damaged or faulty product being installed.



## Allen Keys Supplied



3mm Allen Key

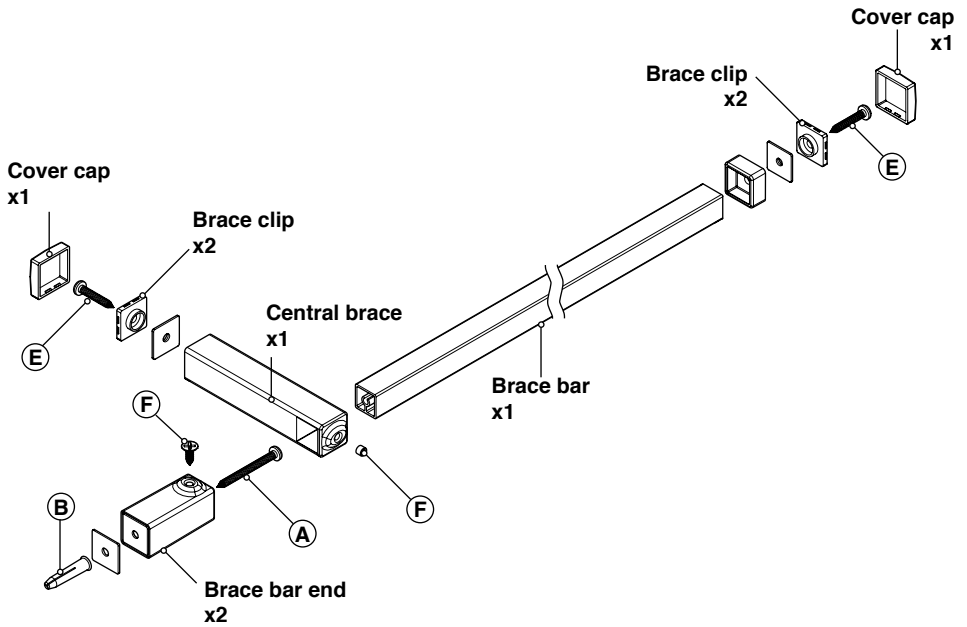


4mm Allen Key



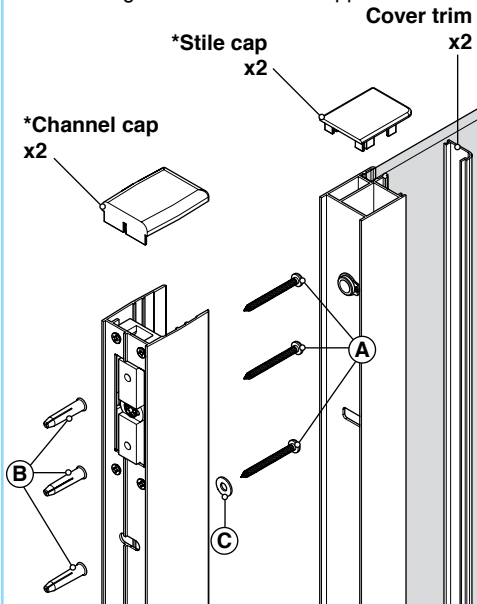
10mm Allen Key

# D1



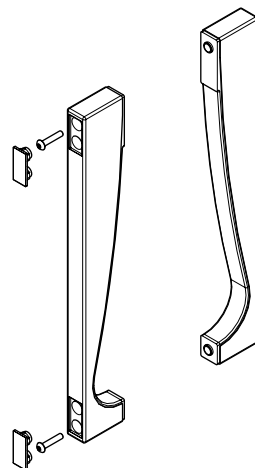
# D2

**\* Please Note:**  
Left and Right Hand variations supplied.

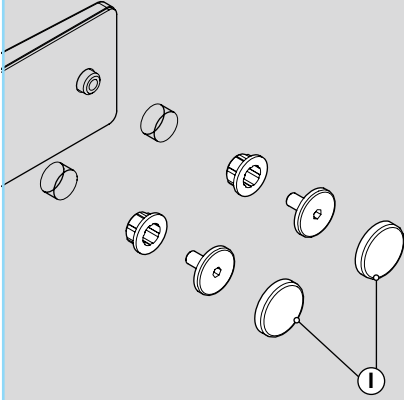


# D3

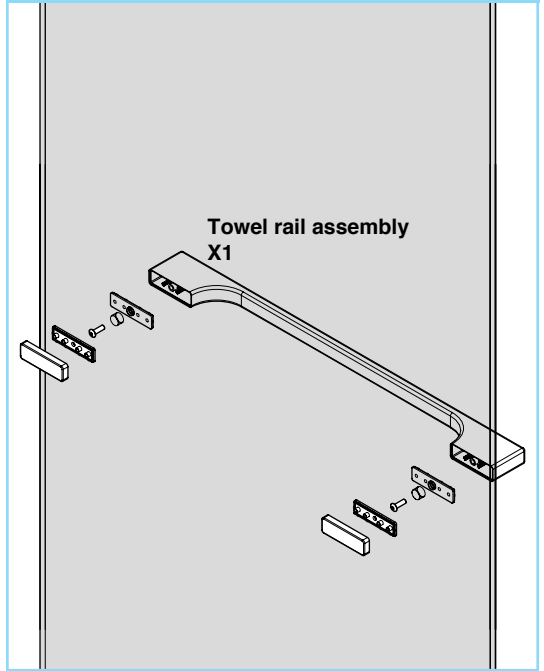
Handle assembly  
X1



D4

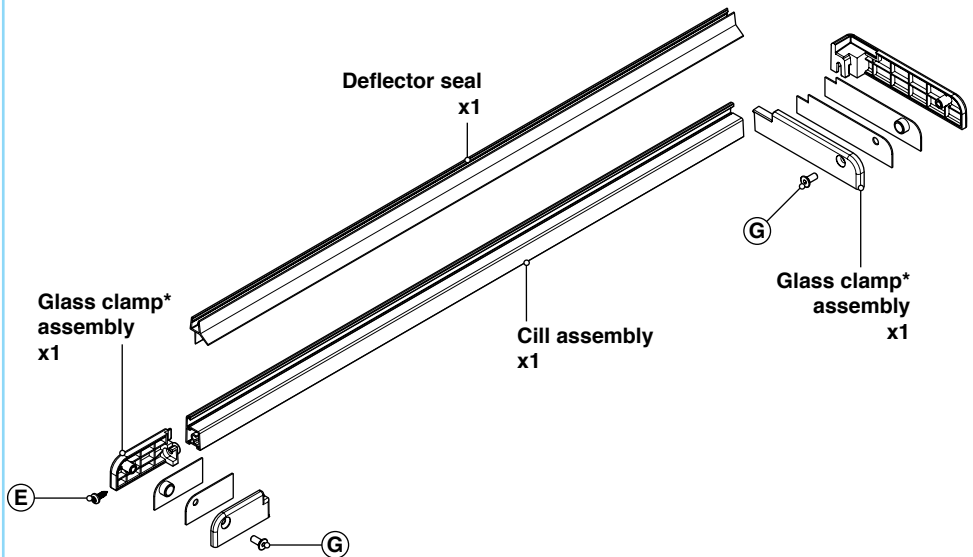


D5

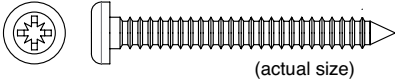

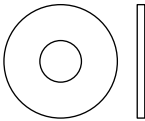
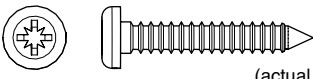
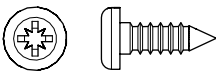
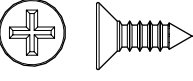
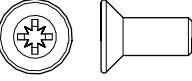

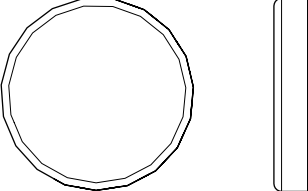


D5

**\* Please Note:**  
Left and Right Hand variations supplied.



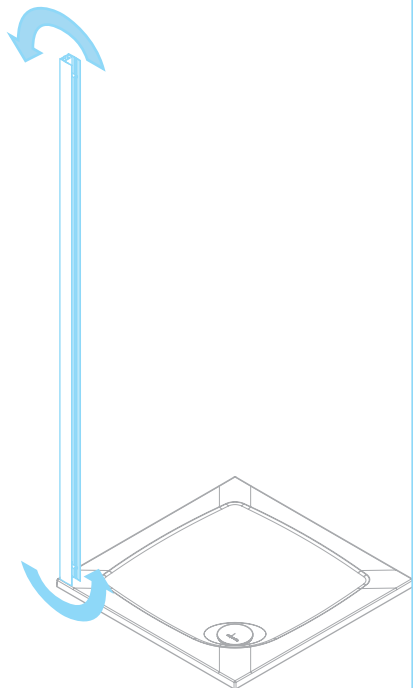
# Loose Screws & Fittings Supplied

<p><b>(A)</b></p>	<p>No.8 x 1½" Pan Head Pozi Screws</p>	 <p>(actual size)</p>	<p>Qty</p> <p><b>x18</b></p>
<p><b>(B)</b></p>	<p>Wall Plugs</p>	 <p>(actual size)</p>	<p>Qty</p> <p><b>x18</b></p>
<p><b>(C)</b></p>	<p>Washer 15mm OD, 5.5mm ID 1mm thick</p>	 <p>(actual size)</p>	<p>Qty</p> <p><b>x8</b></p>
<p><b>(D)</b></p>	<p>No.8 x 1" Pan Head Pozi Screws</p>	 <p>(actual size)</p>	<p>Qty</p> <p><b>x2</b></p>
<p><b>(E)</b></p>	<p>No 8 x 0.5 Pan Pozi Screws</p>	 <p>(actual size)</p>	<p>Qty</p> <p><b>x1</b></p>
<p><b>(F)</b></p>	<p>M5 x 0.5mm Countersunk Head Pozi Drive Screw</p>	 <p>(actual size)</p>	<p>Qty</p> <p><b>x1</b></p>
<p><b>(G)</b></p>	<p>M5 x 12 Countersunk Head Pozi Drive Screw</p>	 <p>(actual size)</p>	<p>Qty</p> <p><b>x2</b></p>
<p><b>(H)</b></p>	<p>M5 x 5mm Grub screw</p>	 <p>(actual size)</p>	<p>Qty</p> <p><b>x1</b></p>
<p><b>(I)</b></p>	<p>Hinge cover Cap</p>	 <p>(actual size)</p>	<p>Qty</p> <p><b>x8</b></p>



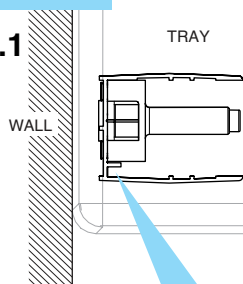
Rotate wall channel for alternative hand fixing

1



Plan View

1.1



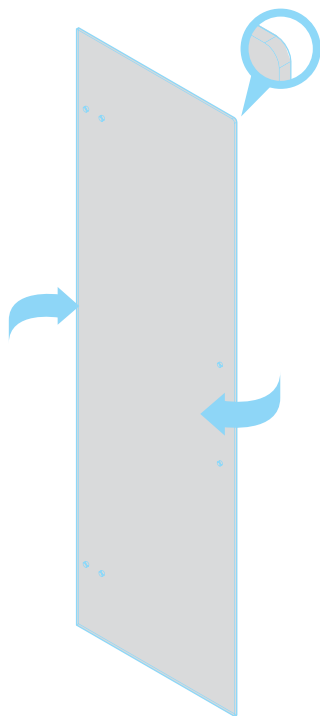
Ensure that the wall channel is correctly oriented. The gap should be on the outboard side.



Rotate alternative hand fixing.



There is a radius on the top side.



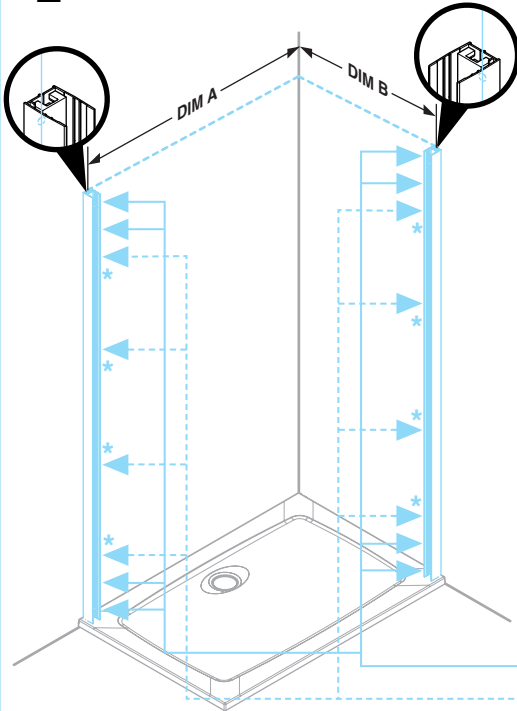


Wall plugs supplied are for solid walls only. Ensure correct wall plug for wall type is used. If in doubt seek professional advice.



Position wall channels on wall. Ensure channel is vertically level.

**2**



\* Dimension from **Wall** to **centre of channel holes**

**DIM A = 1148mm**

**DIM B**

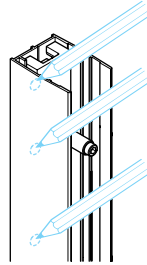
1200 x 760 Combi Pivot = Dim 708mm

1200 x 800 Combi Pivot = Dim 748mm

1200 x 900 Combi Pivot = Dim 848mm

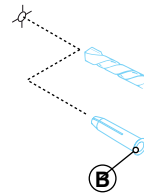
**2.1**

Mark centre position of pre-drilled channel holes.

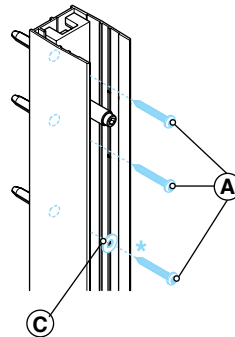


**2.2**

6mm dia. holes with drill bit suitable for wall surface.



**2.3**



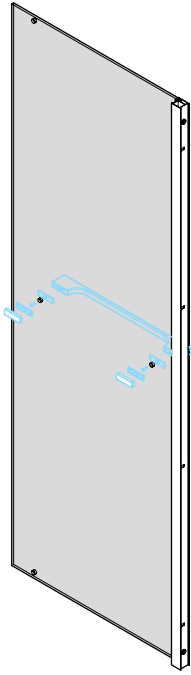
Fully tighten only the screws that pass through the adjuster block. The screws that fasten with a washer should be left loose by at least one turn.



Tip: When drilling tiles apply masking tape to surface to stop drill bit slipping.

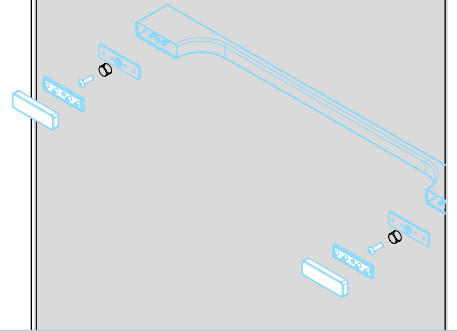


# 3



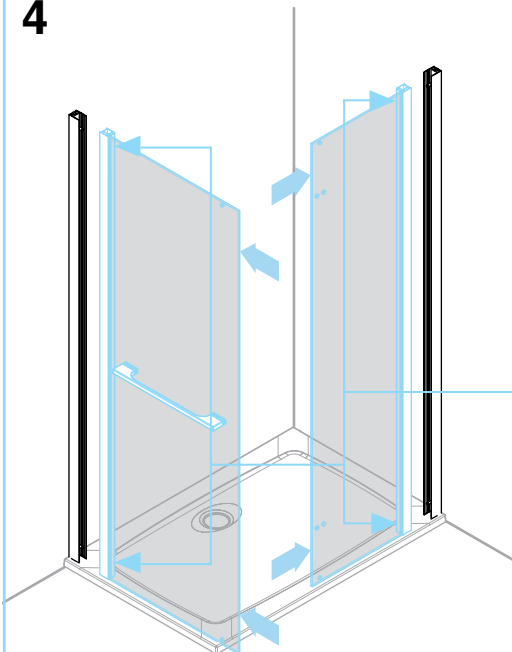
Inside View

## 3.1



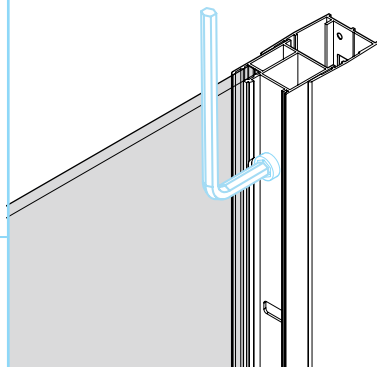
Please Note: Door handles are supplied assembled. Using Allen key supplied, disassemble part and then re-assemble as shown. Ensure all screw heads are on the enclosure interior. DO NOT overtighten.

# 4



Inside View

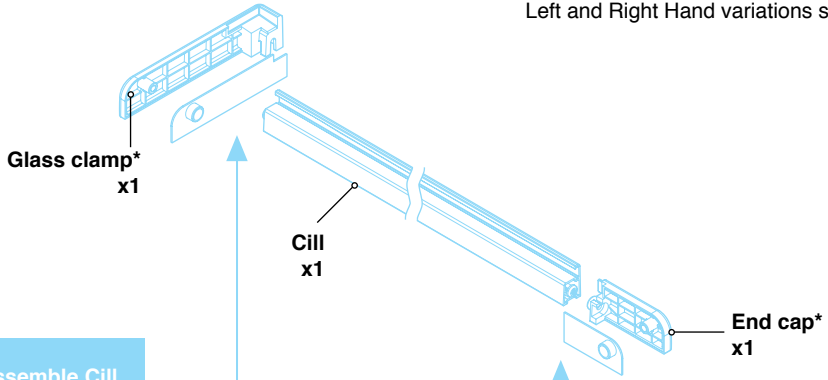
## 4.1



Using the larger allen key progressively, tighten the panel to the wall channel. Alternate from top to bottom and ensure the channel is fully screwed into the wall channel.

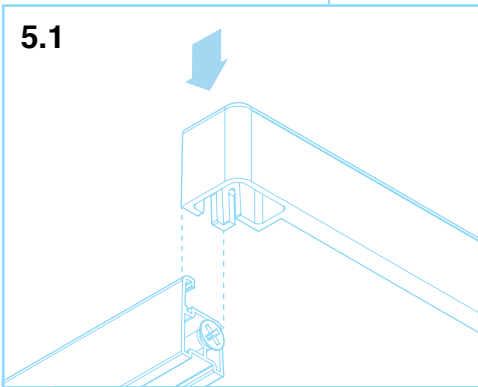
Inside View

5



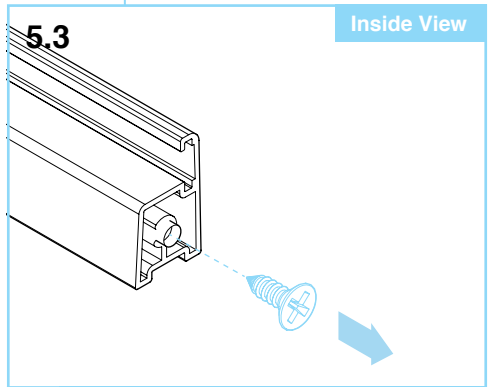
Assemble Cill

5.1



Fit the Cill termination to the Cill by fitting it over the exposed screw.

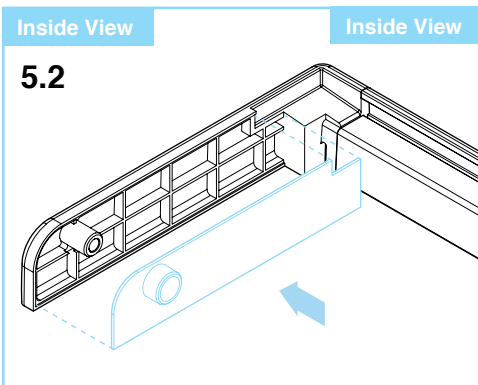
5.3



Remove screw from cill end cap side. Retain the screw.

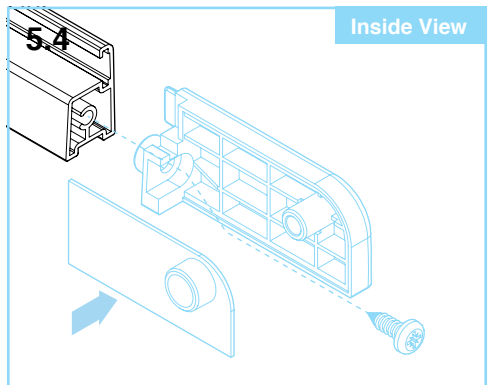
Inside View

5.2



Fix the glass pad onto the cill termination.

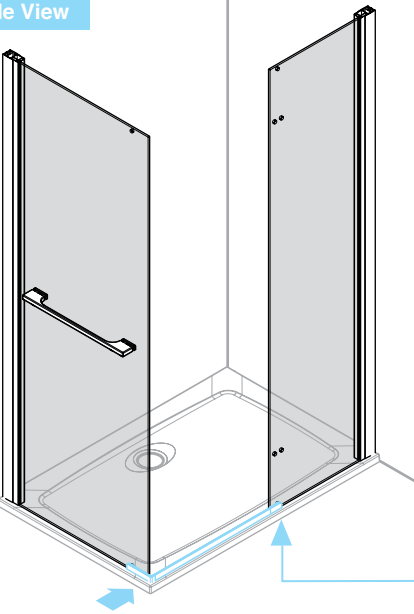
5.4



Secure end cap with screw. Position glass clamp onto cill end.

Inside View

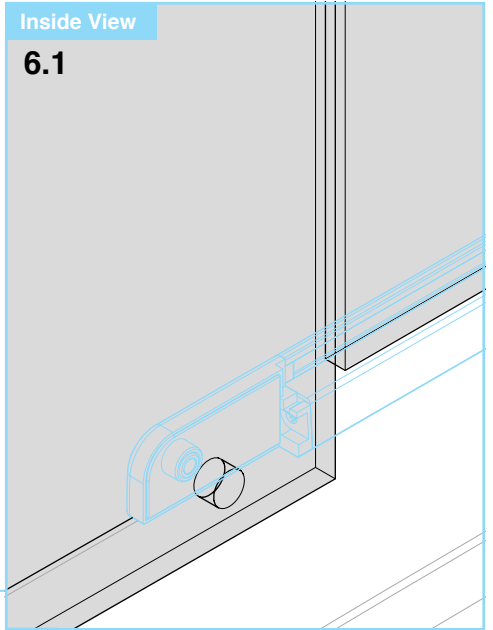
6



Fit cill assembly into position.

Inside View

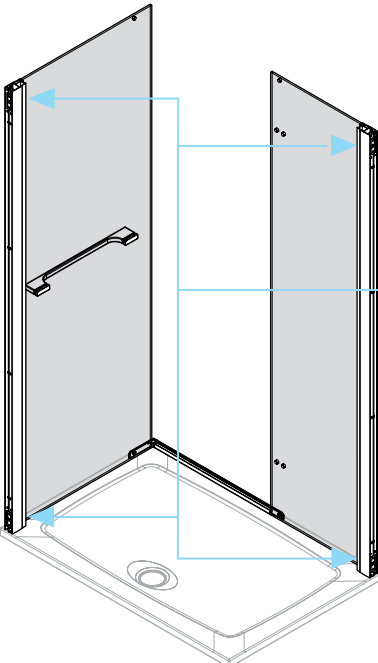
6.1



Ensure cill assembly aligns with fixed panel.

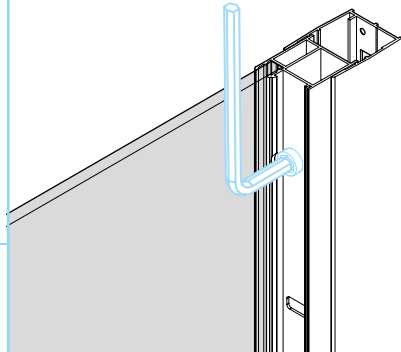
Inside View

7



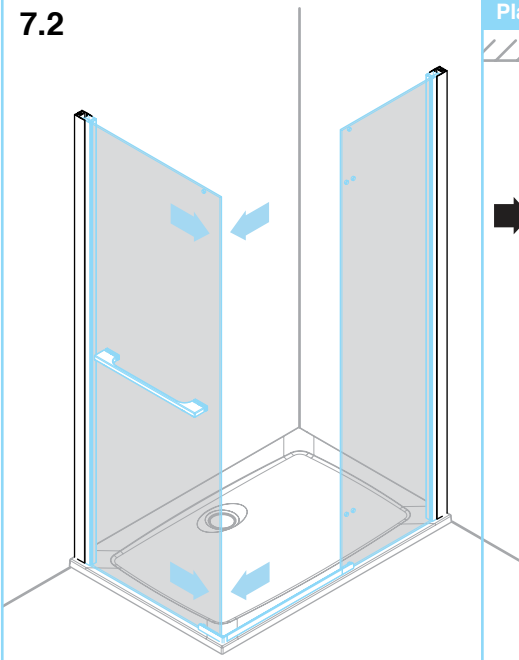
Inside View

7.1

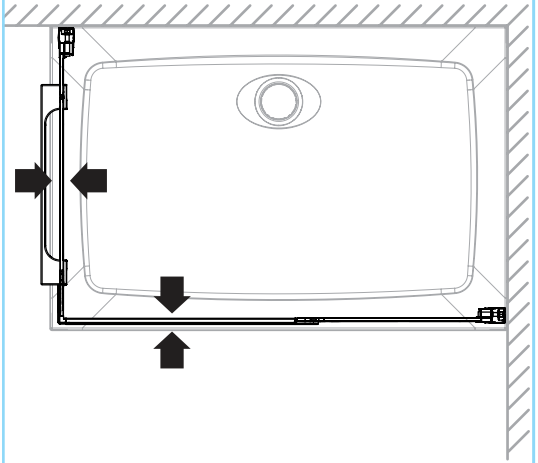


Using the larger allen key progressively, evenly alternating from side to side unwind until sides are square & the glass clamp fits into place.

7.2



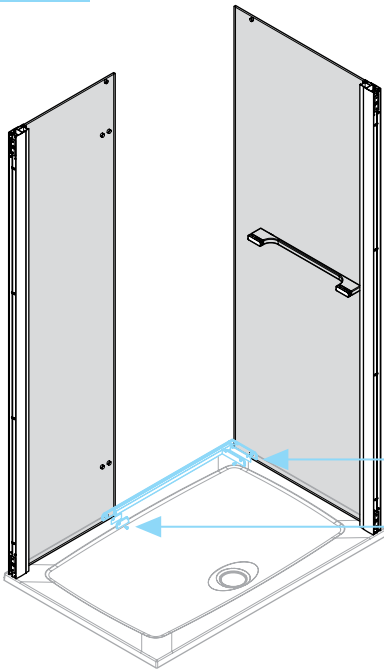
Plan View



**IMPORTANT NOTE**  
Ensure glass is positioned straight and is parallel with tray.

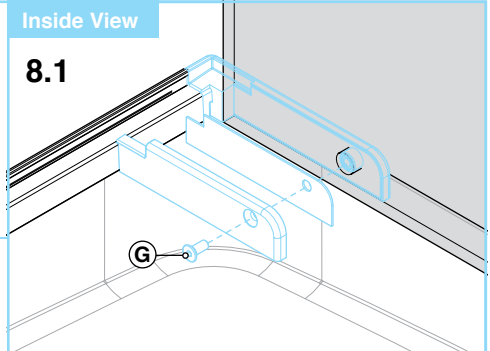
Inside View

8

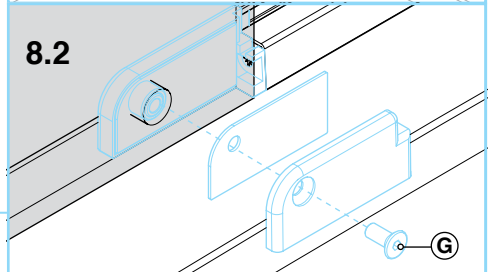


Inside View

8.1



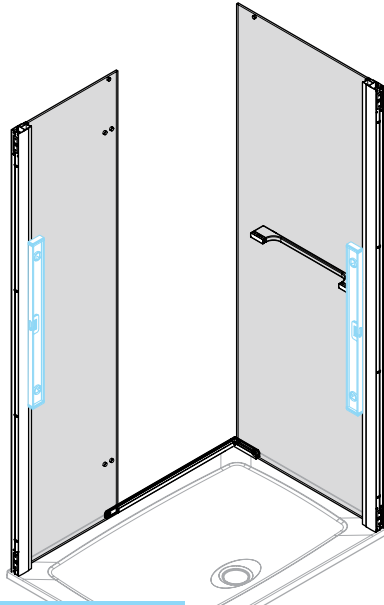
8.2



Fix cill assembly into place.

Inside View

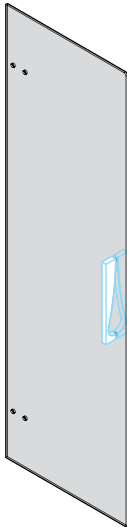
9



Ensure stiles are plumb vertically.

Inside View

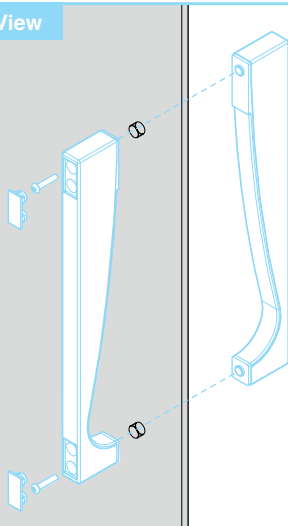
10



Please Note: Door Handle is supplied assembled. Disassemble part and then re-assemble evenly as shown.

Inside View

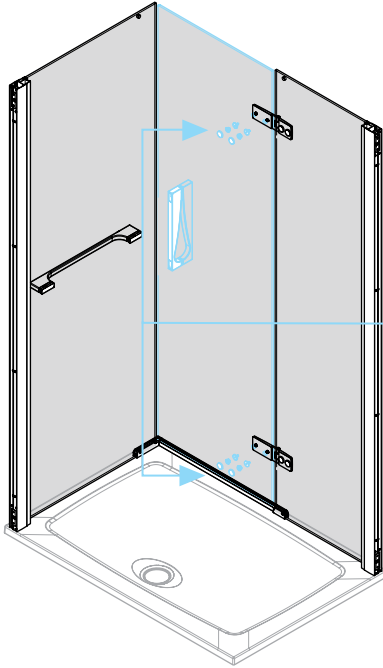
10.1



Please Note: Door handles are supplied assembled. Using Allen key supplied, disassemble part and then re-assemble as shown. Ensure all screw heads are on the enclosure interior. DO NOT overtighten.

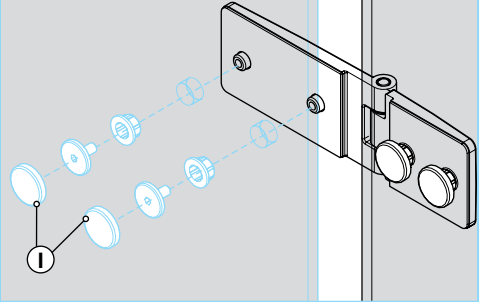
Inside View

11



Inside View

11.2



Remove glass screws and bushes from hinges & reassemble as shown.

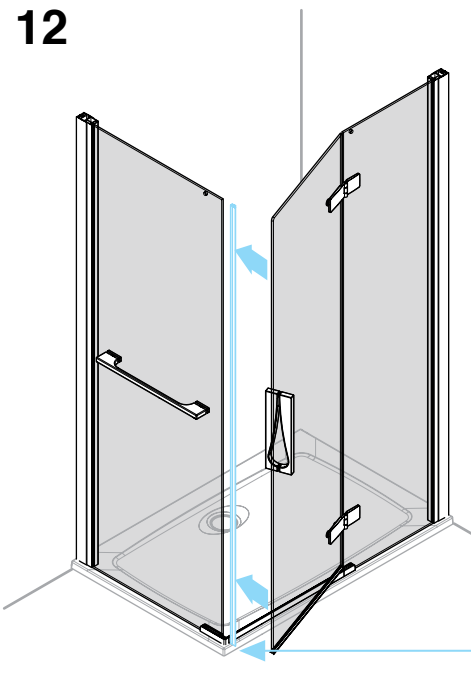


Assemble glass panel onto hinge profile



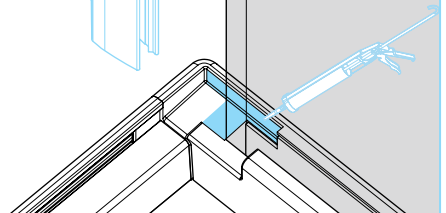
Tip: Insert glass bush into glass first using a small rubber mallet

12



12.1

Inside View

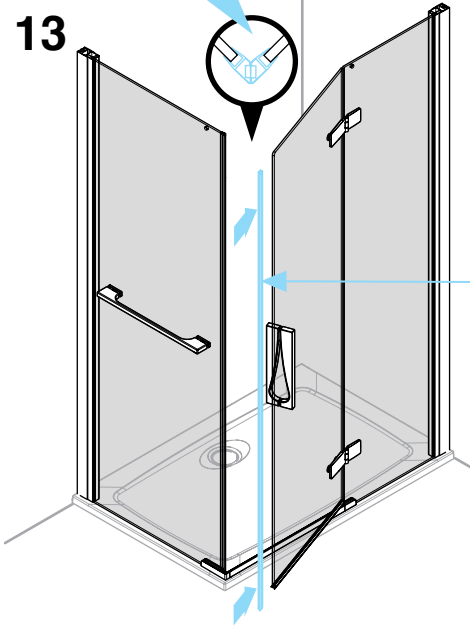


Apply silicon & push the seal into position make sure it contacts with cill. Remove any excess silicon.



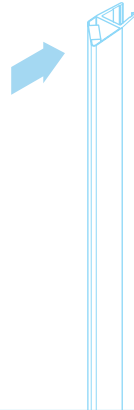
Fit ensuring correct magnet seal orientation when door is closed

13



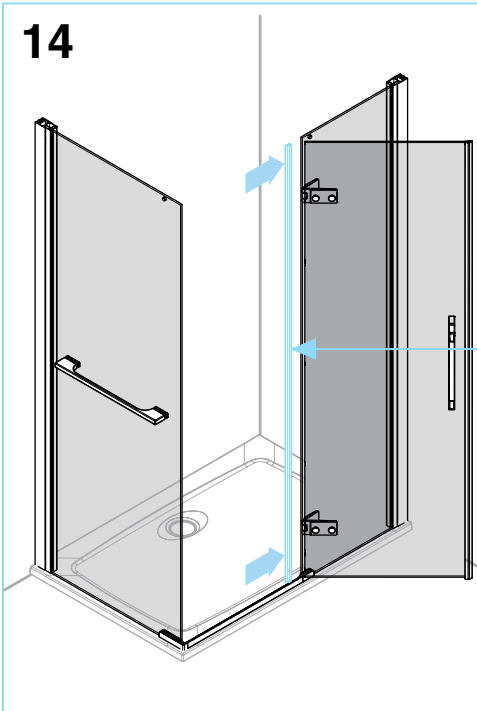
Inside View

13.1



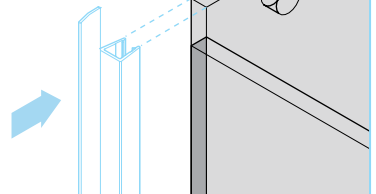
Tip: Start at the top & work downwards. Make sure the top of the seal is flush.

14



Inside View

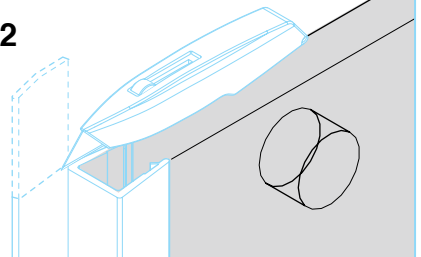
14.1



Tip: Start at the top & work down. Ensure the top of the seal is flush.

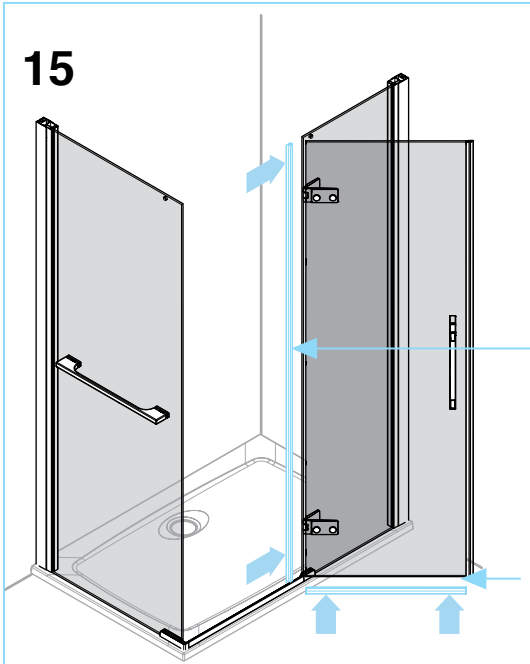
Inside View

14.2

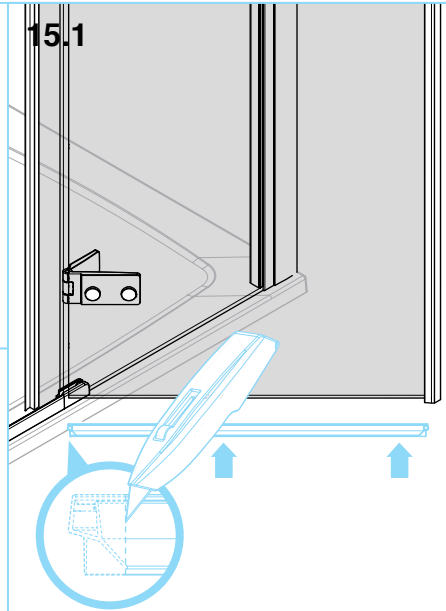


Using a knife cut off the excess seal.

15

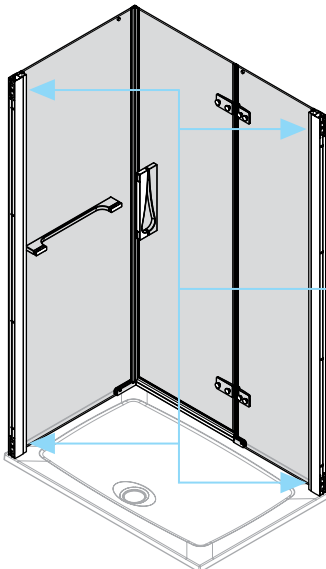


15.1

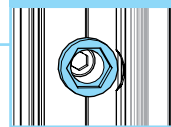


Trim excess seal from inside edge & push fit to door ensuring it is flush with the edge.

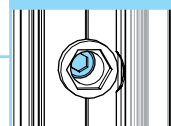
### Adjustment - Inside view



Inner screw



Outer screw

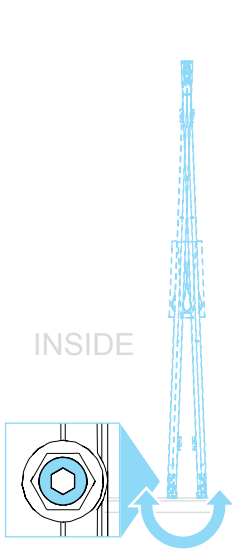


Adjustment screws are located on the stile profile at the top & bottom. Adjustment is made using the large & small allen keys. Adjustment is provided for each side.



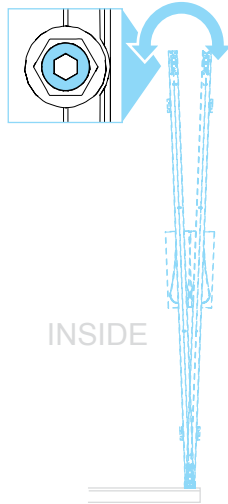
**Inner screw adjustment of one profile - Adjustment is provided for each.**

**Bottom inner screw adjustment**  
rotates the lower part of the  
profile



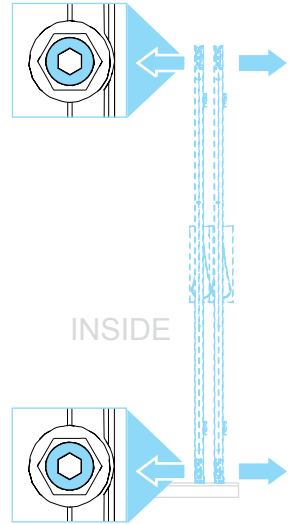
INSIDE

**Top inner screw adjustment**  
rotates the top part of the profile



INSIDE

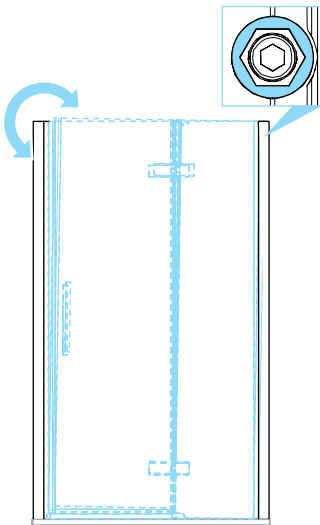
**Top & bottom inner screw adjustment**  
moves the profile horizontally



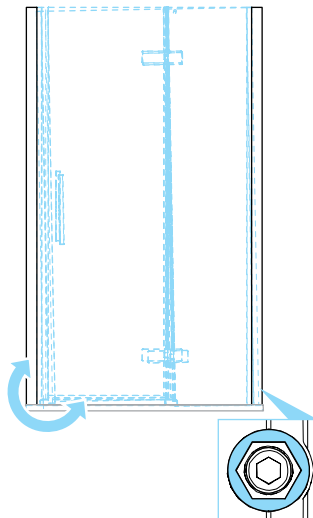
INSIDE

**Inner screw adjustment of one profile - Adjustment is provided for each.**

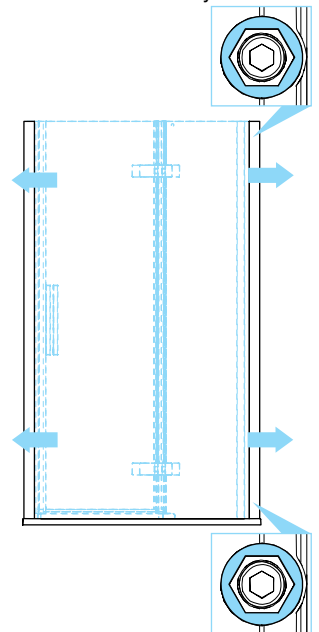
**Bottom outer screw adjustment**  
tilts the profile from the top



**Bottom outer screw adjustment**  
tilts the profile from the bottom



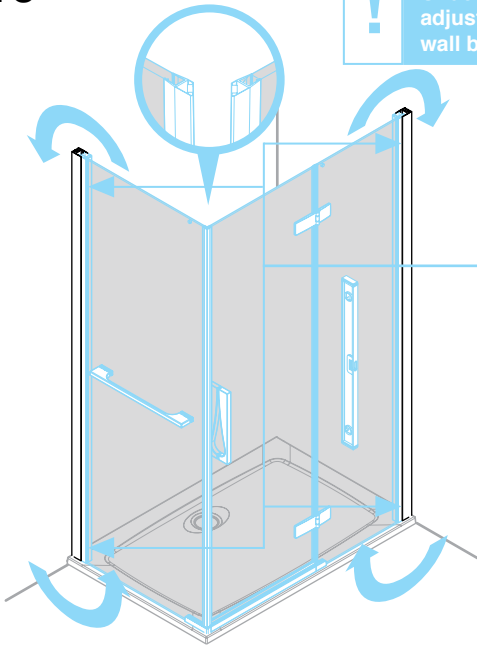
**Top & bottom inner screw adjustment**  
moves the profile horizontally



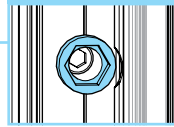
# 16



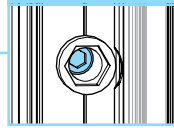
**Important Note:**  
Under no circumstances must the outer screw be adjusted so that the screen moves away from the wall beyond 25mm from its minimum point.



Inner screw



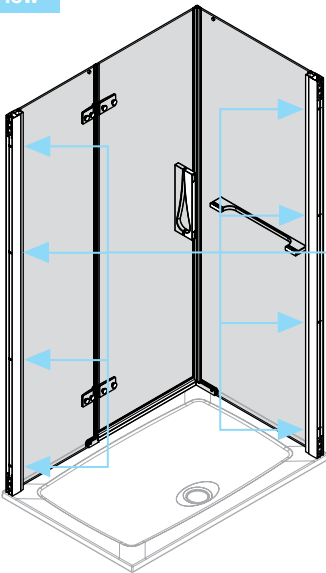
Outer screw



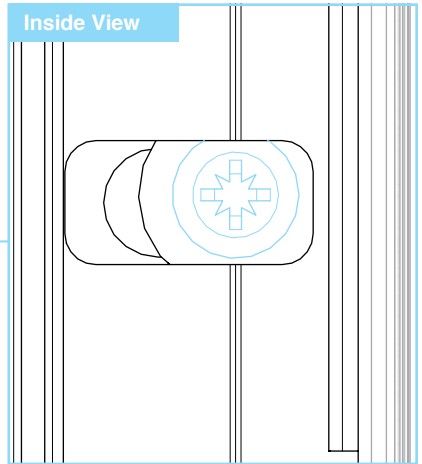
The outer screw can be used to adjust the wall channel for uneven walls. The Inner & outer screws adjustment should be used to level ensuring a good seal on the door stop mag seal.

Inside View

# 17



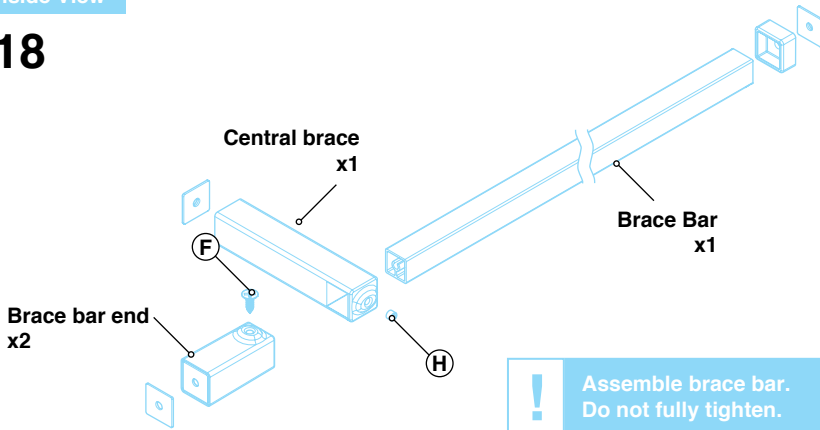
Inside View



Lock the adjustment mechanism by fully tightening these screws.

Inside View

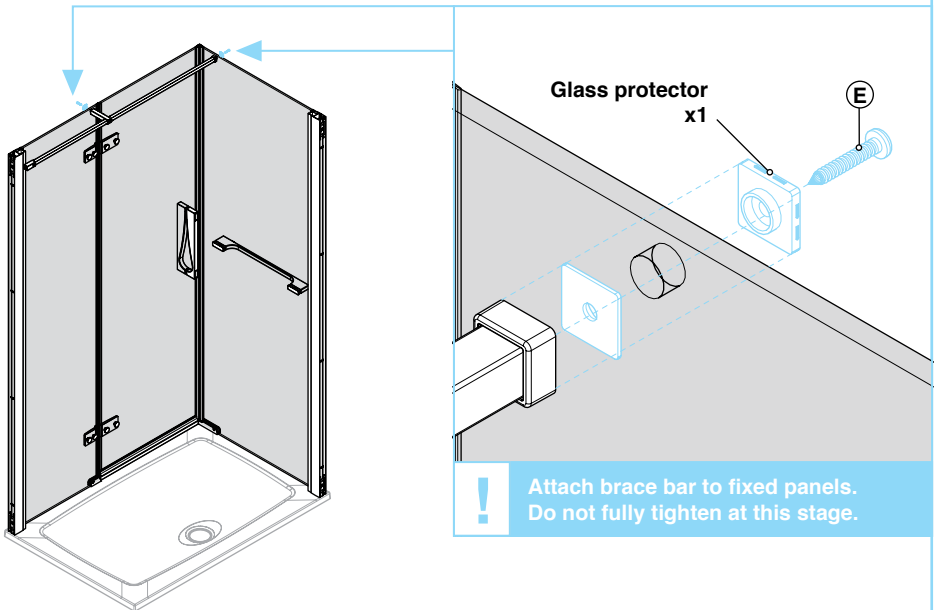
18



Assemble brace bar.  
Do not fully tighten.

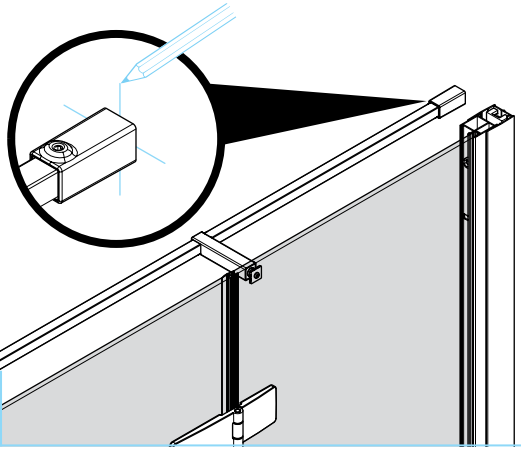
Inside View

19



Attach brace bar to fixed panels.  
Do not fully tighten at this stage.

# 20

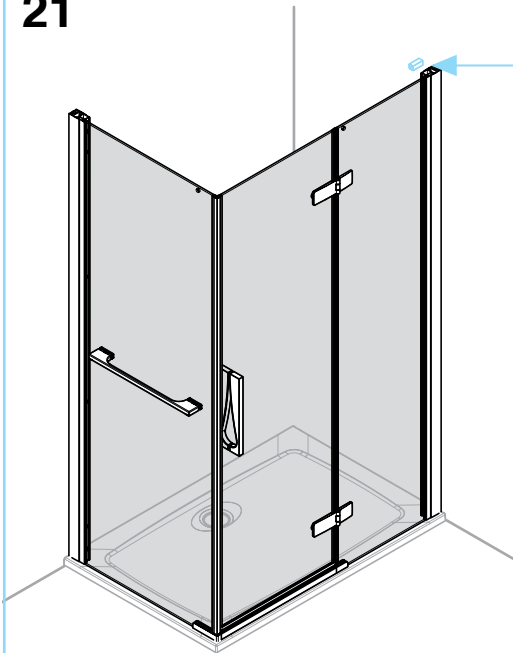


Ensure brace bar is level



Wall plugs supplied are for solid walls only. Ensure correct wall plug for wall type is used. If in doubt seek professional advice.

# 21

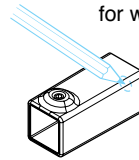


Tip: When drilling tiles apply masking tape to surface to stop drill bit slipping.

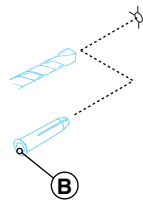
## Inside View

### 21.1

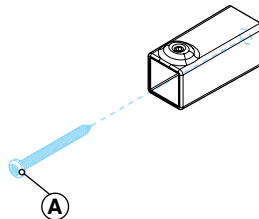
6mm dia. holes with drill bit suitable for wall surface.



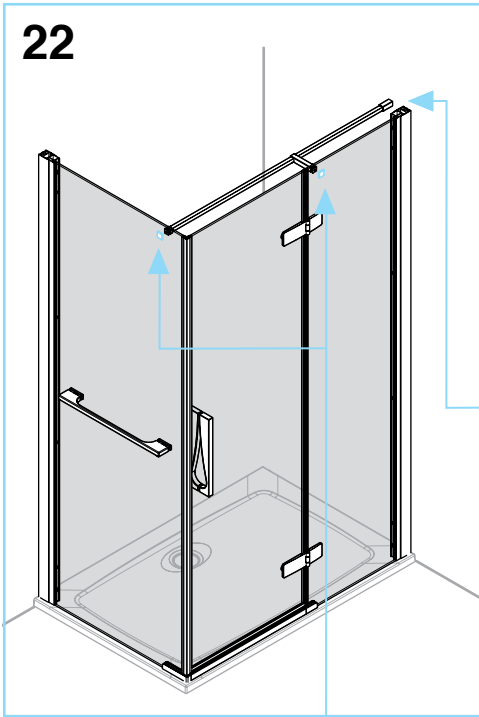
### 20.2



### 20.3



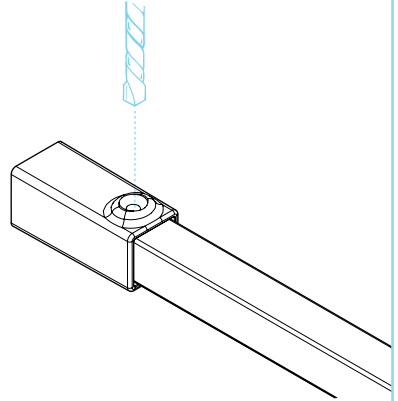
# 22



## Inside View

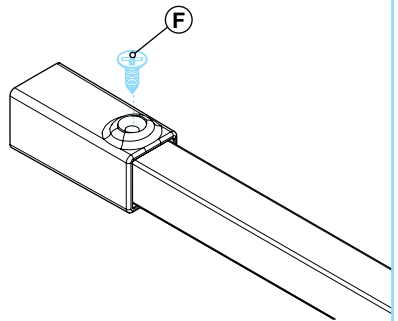
### 22.1

Drill a 3.5mm dia. hole through bracket & one side of the brace bar.

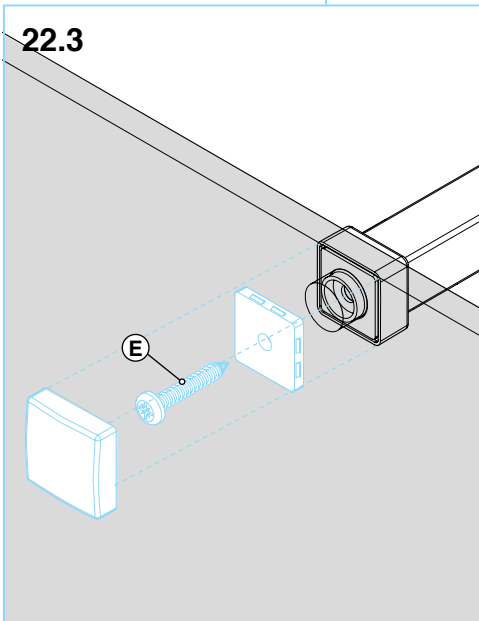


### 22.2

Secure brace bar to clamp using screw.



### 22.3



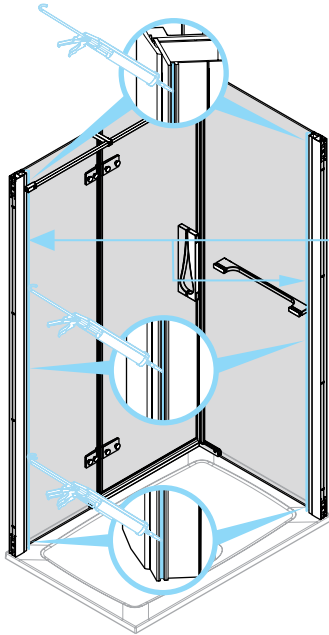
Drill through bracket & brace bar & secure with screw.



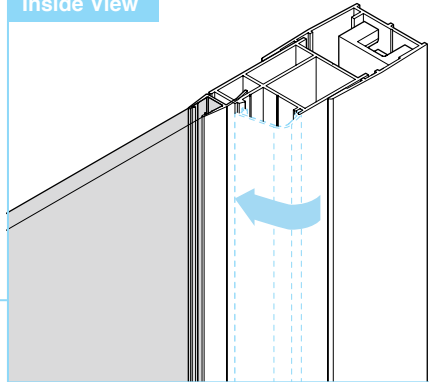
Fit cover cap push until it "clicks"

Inside View

23



Inside View



Apply Silicone Sealant, (not supplied) into the groove at the top, middle & bottom of stile, remove any excess silicon.

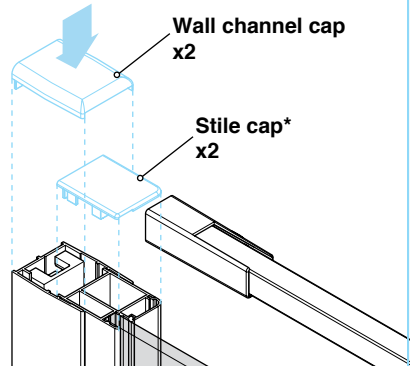
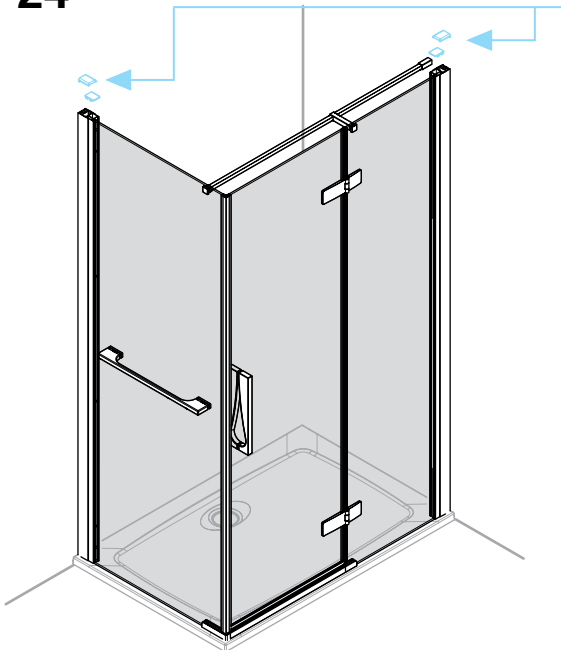


Fit the channel trim by positioning the edge into the groove and pushing the front "clicks" into place.



Trims differ per side.

24



Wall channel cap  
x2

Stile cap\*  
x2



Push fit Stile Cap, Wall Channel Cap into position.

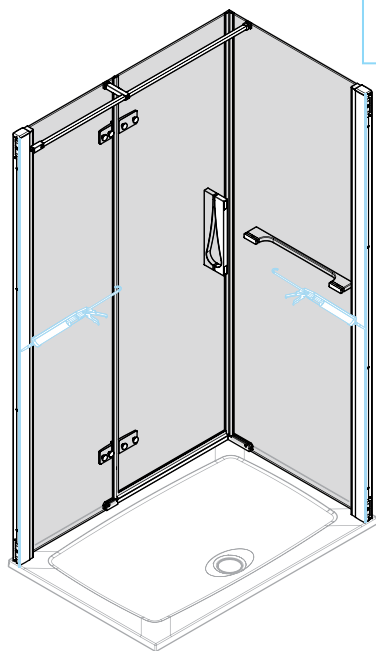


Stile caps are handed.



Take Care not to let Stile Cap & Wall Channel Cap slip down the Wall Channel.

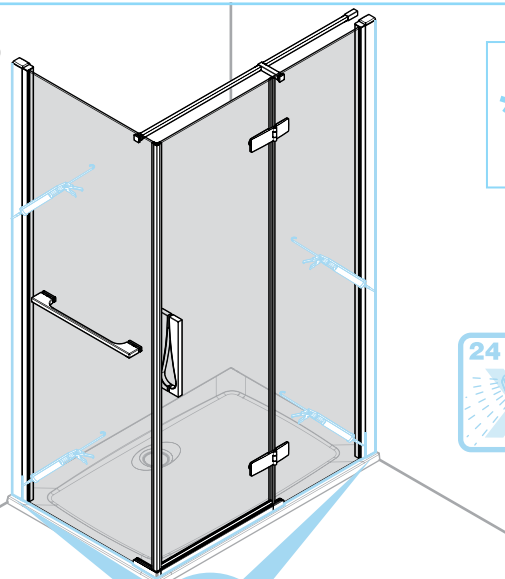
25



Apply Silicone Sealant, (not supplied).



26



Product Care:  
Use a non abrasive cleaner.  
Water marks may be removed  
with a proprietary limescale  
remover or household vinegar.



Apply Silicone Sealant, (not supplied).



150mm

