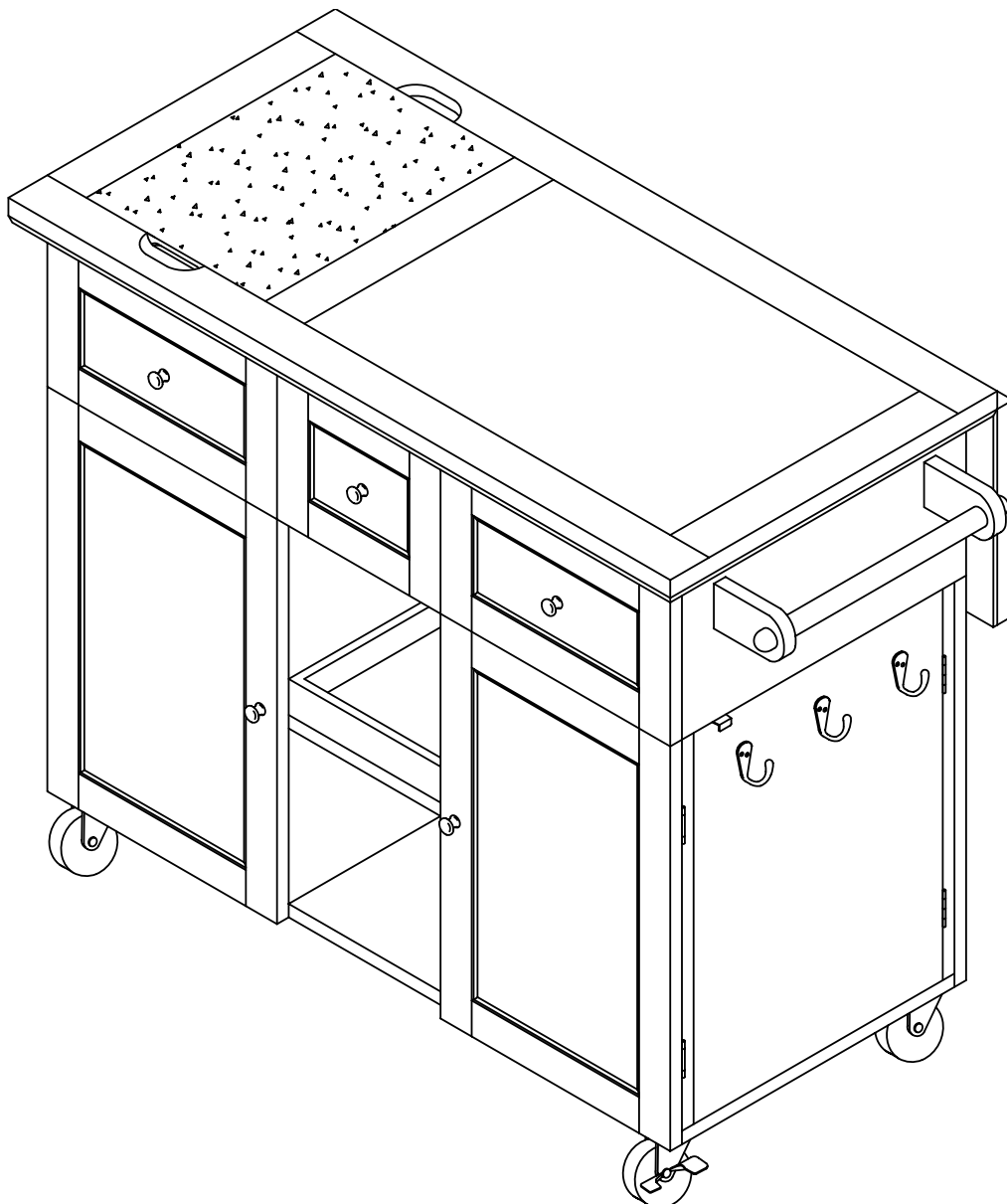


Thank you for purchasing this quality product. Be sure to check all packing material carefully for small parts which may have come loose inside the carton during shipment. Separate, identify, and count all parts and metal hardware. Compare with parts list and hardware illustrations to be sure all parts are present. If any part(s) are missing or damaged, phone, fax, or mail to our Customer Service Department. For efficient and speedy service, please indicate the model number and code letter of part(s) needed.

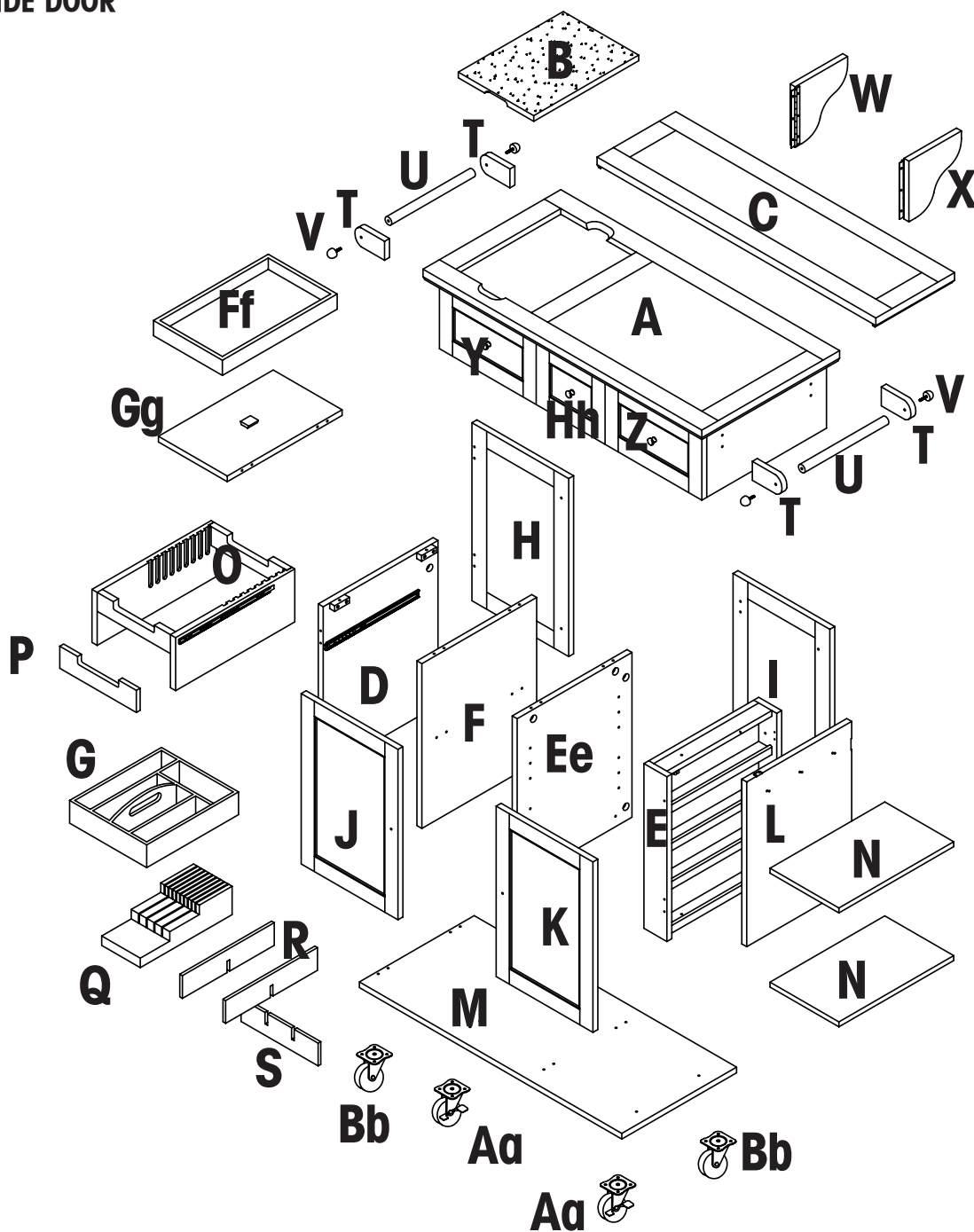
ATTENTION: SOME LETTERED PARTS LISTED ON THE INSTRUCTION SHEET MAY NOT BE IN PARTS BAG AS THEY MAY ALREADY BE ASSEMBLED. CAREFULLY CHECK PARTS AND PACKING MATERIALS PRIOR TO ORDERING REPLACEMENTS.

Tools Required for assembly: Phillips Screwdriver (not included), Wrench (included)

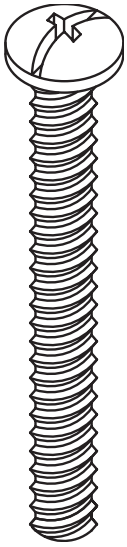


# PARTS

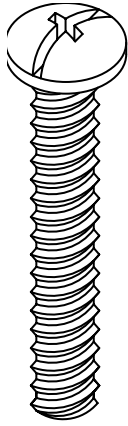
- |                       |                            |                               |
|-----------------------|----------------------------|-------------------------------|
| (A) TOP STORAGE       | (M) BOTTOM PANEL           | (X) RIGHT COUNTER SUPPORT     |
| (B) STONE             | (N) ADJUSTABLE SHELVES (2) | (Y) LEFT DRAWER               |
| (C) FOLDING TOP       | (O) TRASH BIN FRAME        | (Z) RIGHT DRAWER              |
| (D) LEFT PANEL        | (P) ADJUSTABLE CROSS BRACE | (Aa) CASTERS W/LOCK (2)       |
| (E) RIGHT PANEL       | (Q) KNIFE REST             | (Bb) CASTERS W/O LOCK (2)     |
| (F) LEFT CENTER PANEL | (R) DIVIDERS (2)           | (Cc) DRAWER GLIDERS (8)       |
| (G) ORGANIZER         | (S) DIVIDER W/TWO GROOVES  | (Dd) TRASH BIN (NOT INCLUDED) |
| (H) LEFT BACK PANEL   | (T) BAR SUPPORTS (4)       | (Ee) RIGHT CENTER PANEL       |
| (I) RIGHT BACK PANEL  | (U) HANDLES (2)            | (Ff) TRAY                     |
| (J) LEFT DOOR         | (V) END CAPS (4)           | (Gg) TRAY SUPPORT             |
| (K) RIGHT DOOR        | (W) LEFT COUNTER SUPPORT   | (Hh) CENTER SHELF             |
| (L) SIDE DOOR         |                            |                               |



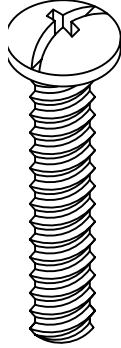
# HARDWARE



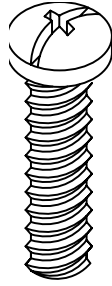
**H1**  
(6 PCS)



**H2**  
(10 PCS)



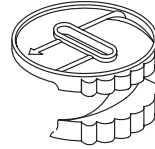
**H3**  
(6 PCS)



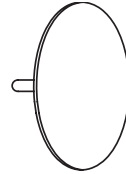
**H4**  
(16 PCS)



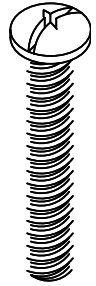
**H5**  
(14 PCS)



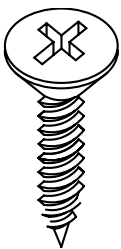
**H6**  
(14 PCS)



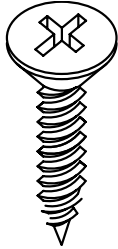
**H7**  
(14 PCS)



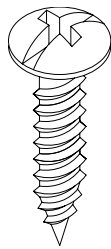
**H8**  
(2 PCS)



**H27**  
(24 PCS)



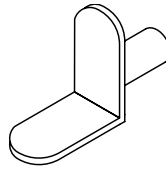
**H9**  
(21 PCS)



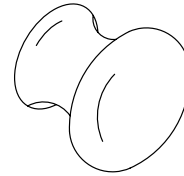
**H10**  
(12 PCS)



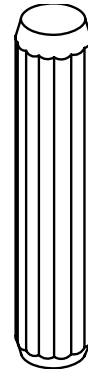
**H11**  
(2 PCS)



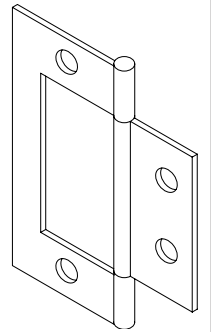
**H12**  
(8 PCS)



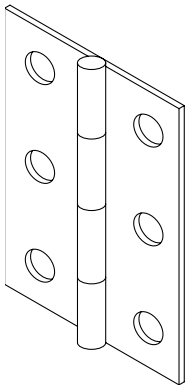
**H13**  
(2 PCS)



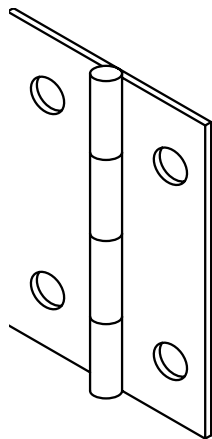
**H14**  
(22 PCS)



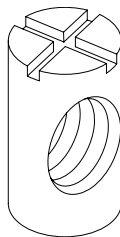
**H15**  
(4 PCS)



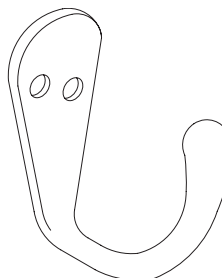
**H16**  
(3 PCS)



**H17**  
(2 PCS)



**H18**  
(6 PCS)



**H19**  
(6 PCS)

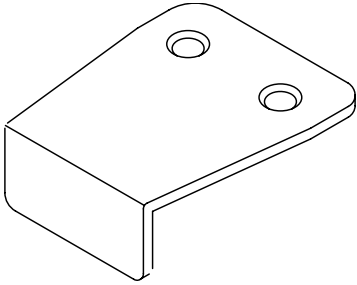


**H20**  
(8 PCS)

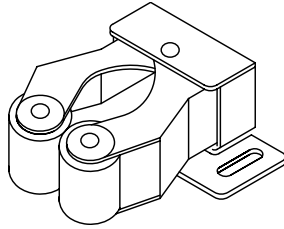


**H21**  
(8 PCS)

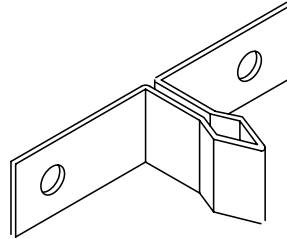
# HARDWARE



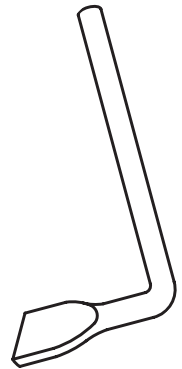
**H22**  
(1 PC)



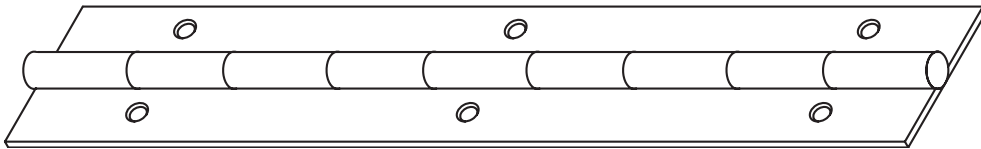
**H23**  
(3 PCS)



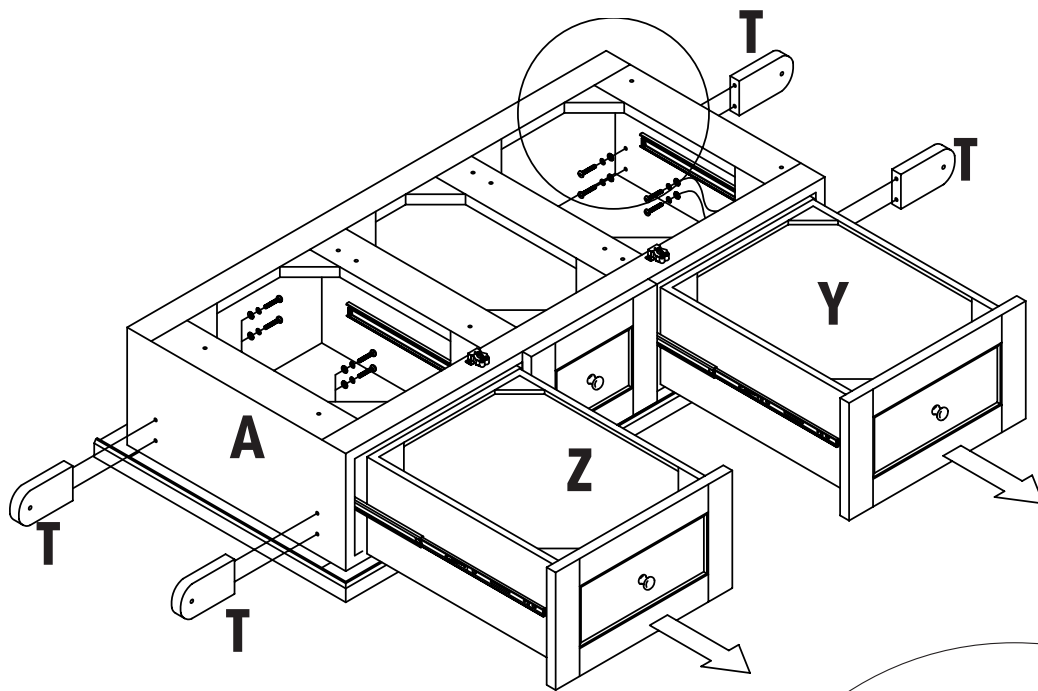
**H24**  
(3 PCS)



**H25**  
(1 PC)

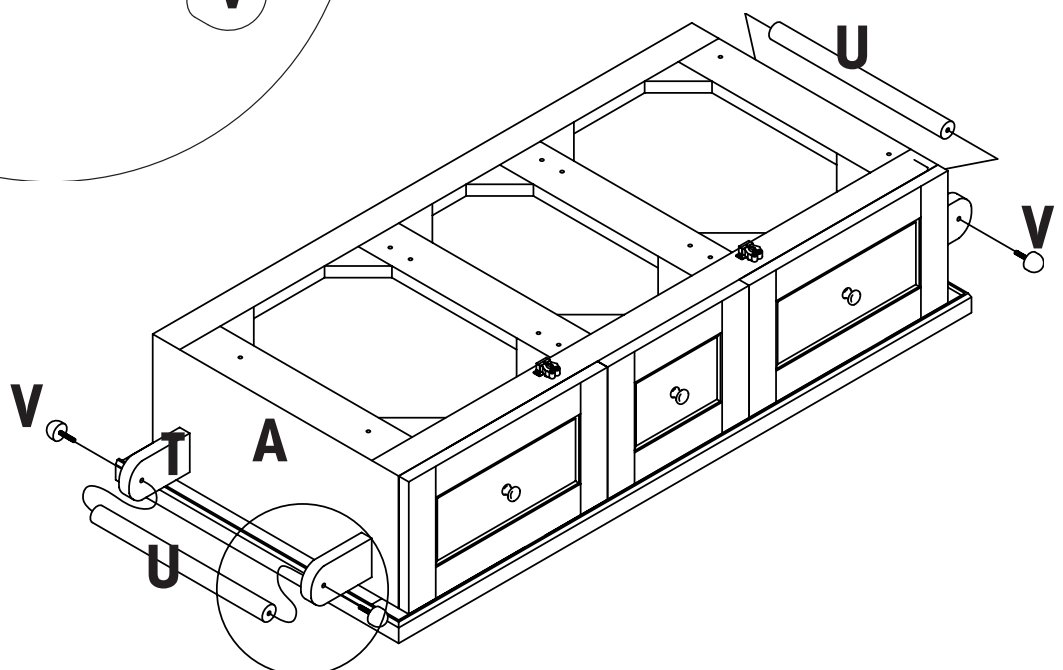
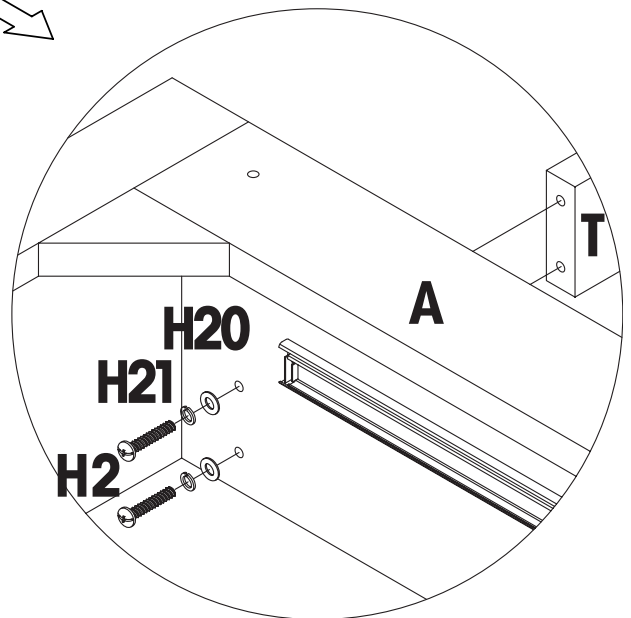
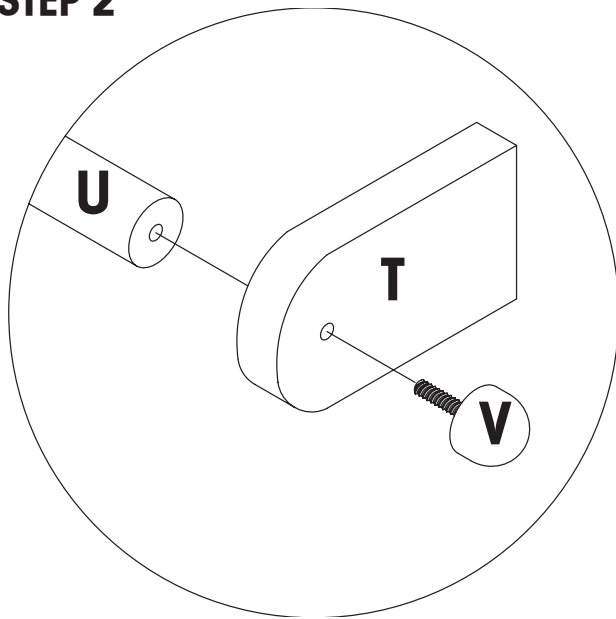


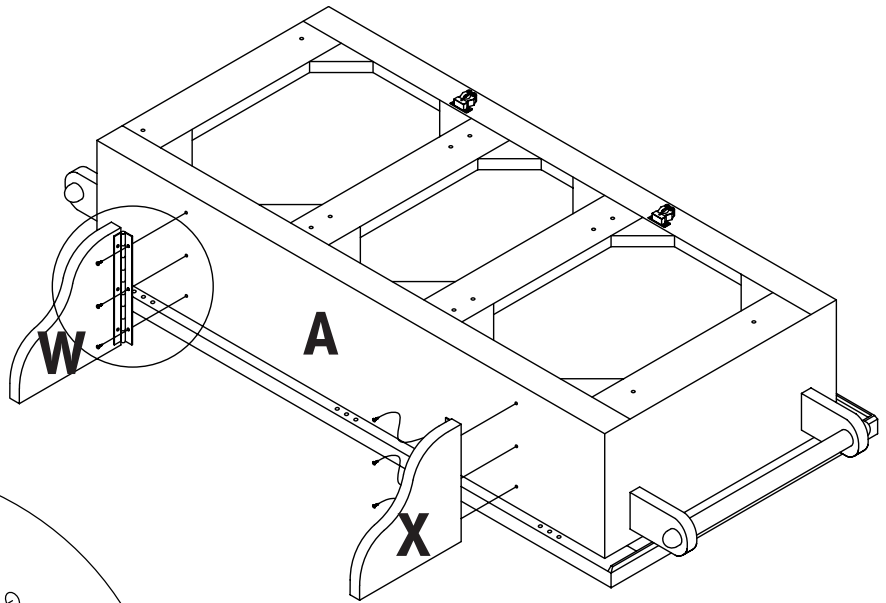
**H26**  
(2 PCS)



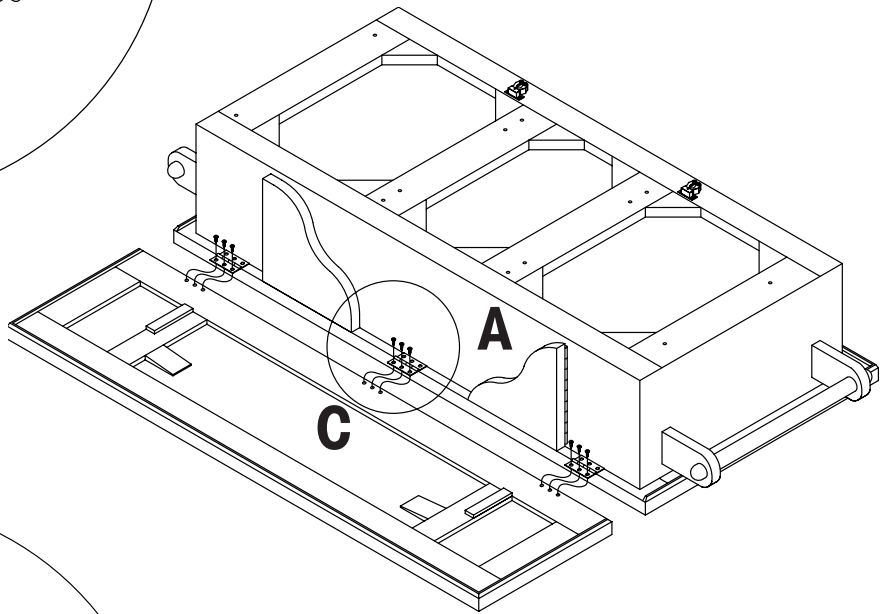
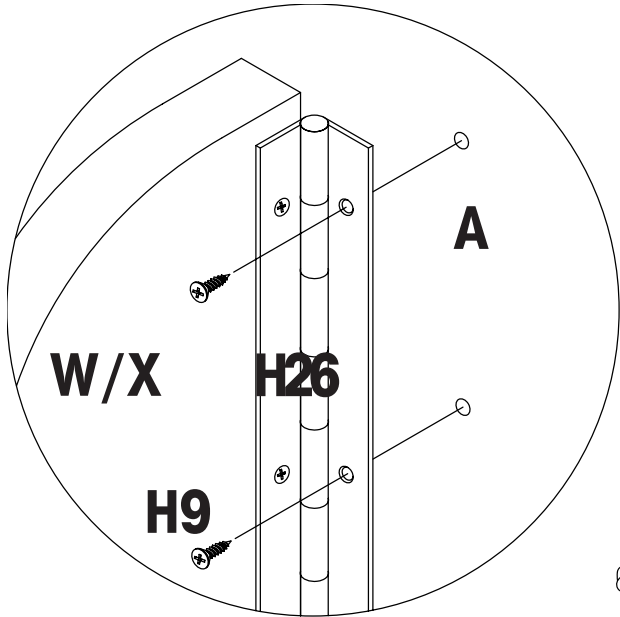
**STEP 1**

**STEP 2**

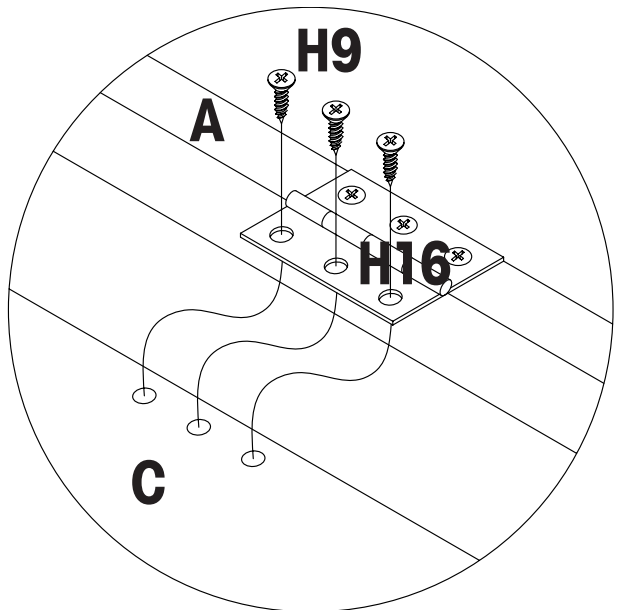




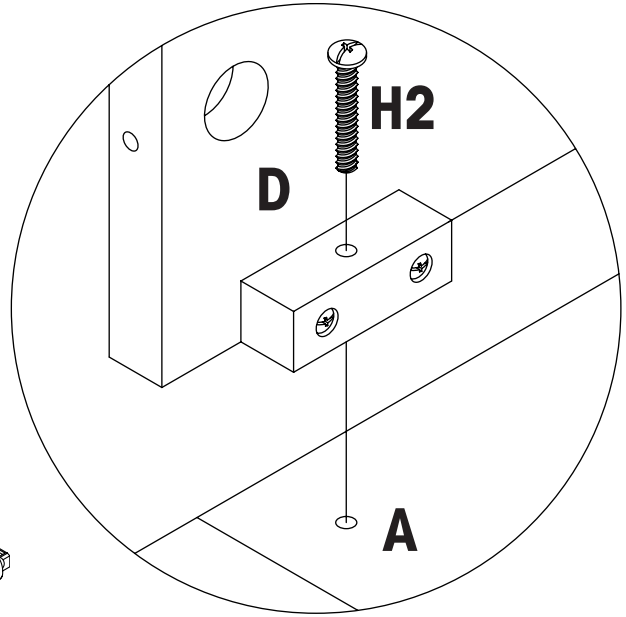
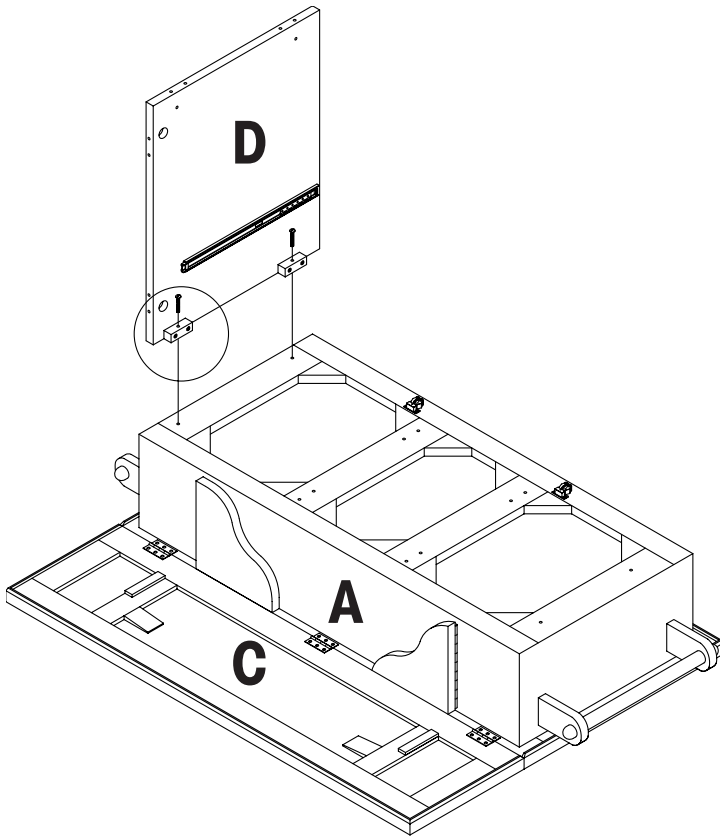
**STEP 3**



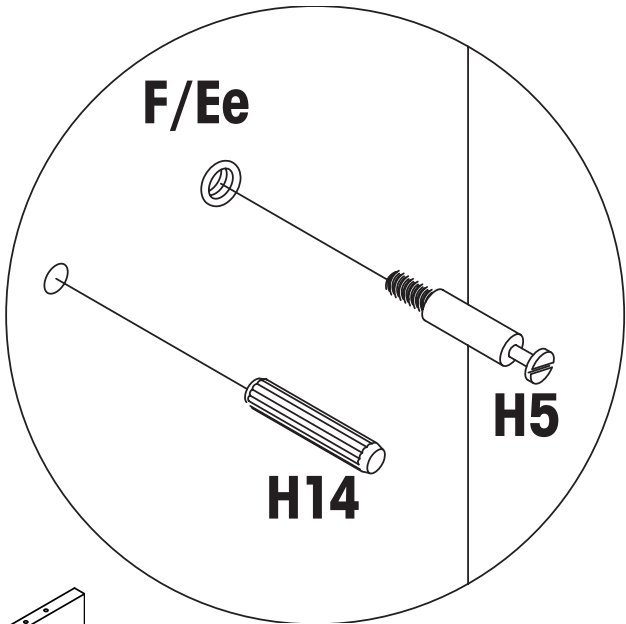
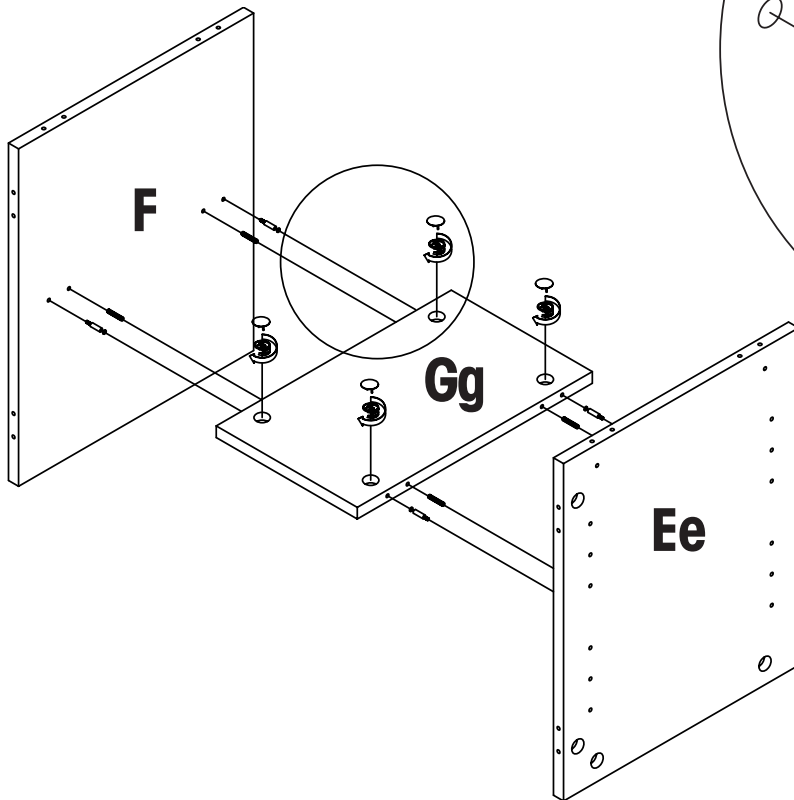
**STEP 4**



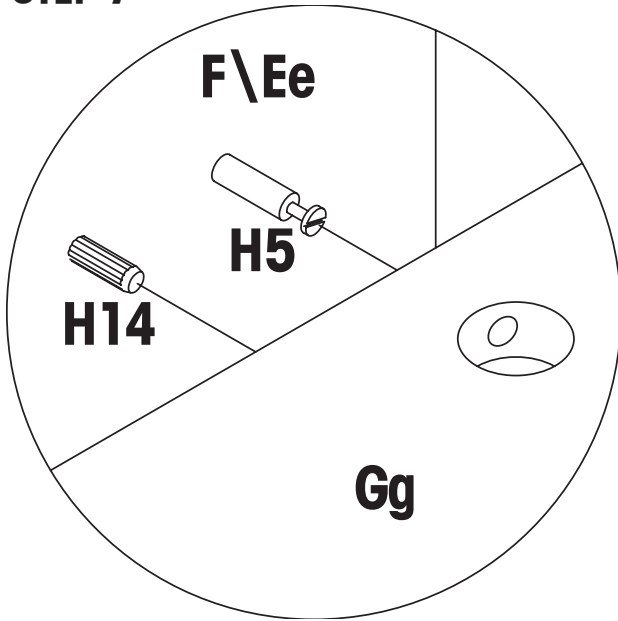
**STEP 5**



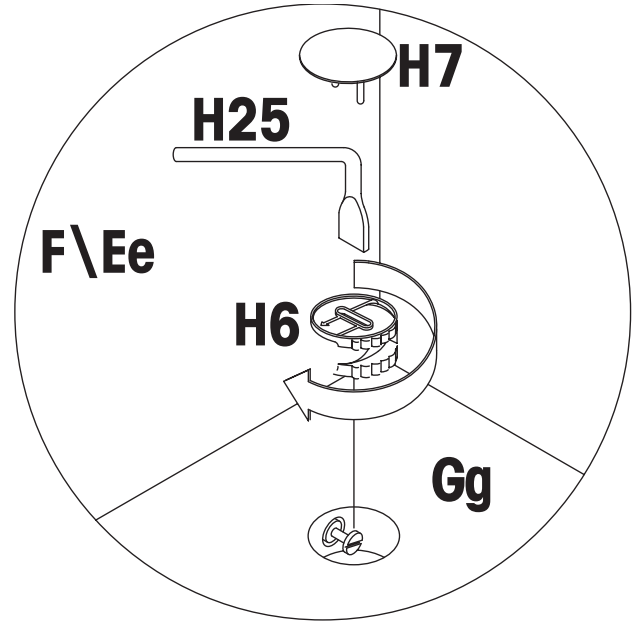
**STEP 6**



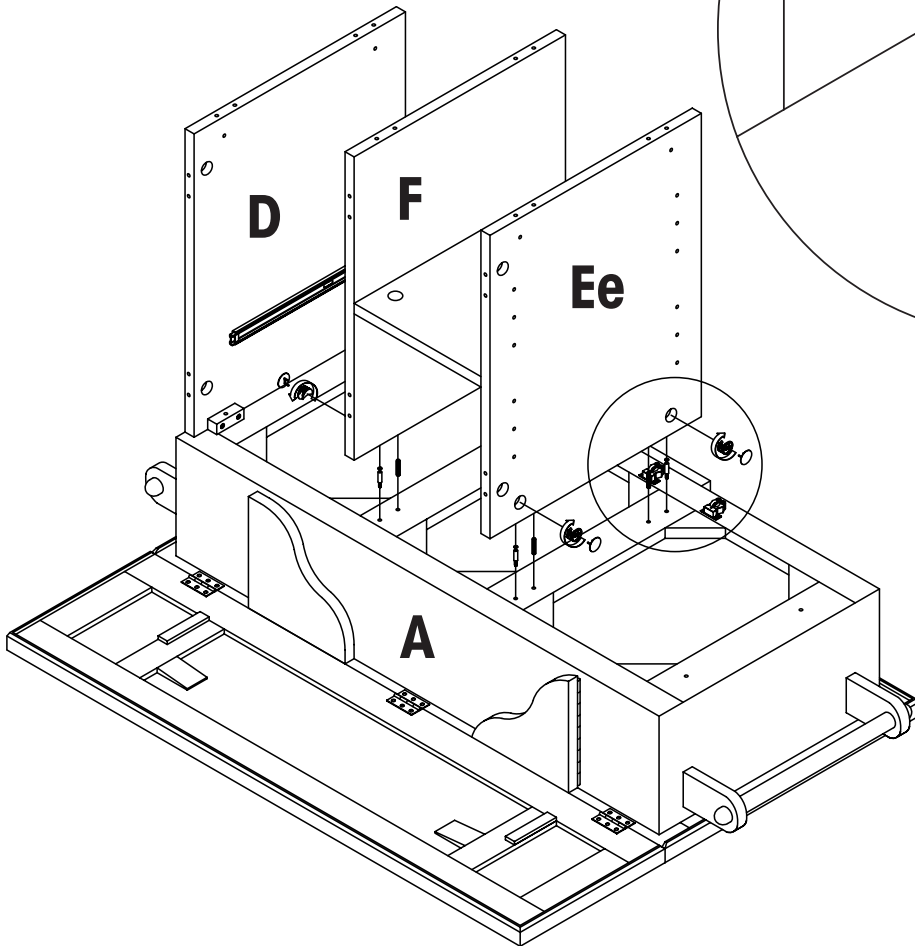
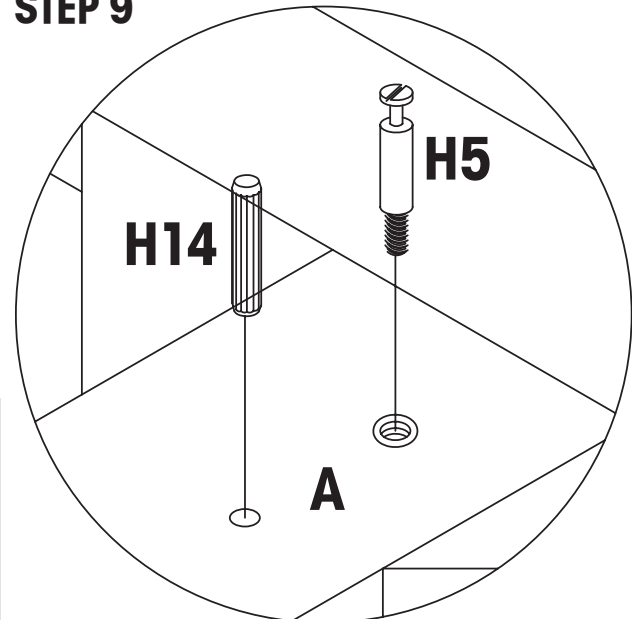
**STEP 7**



**STEP 8**

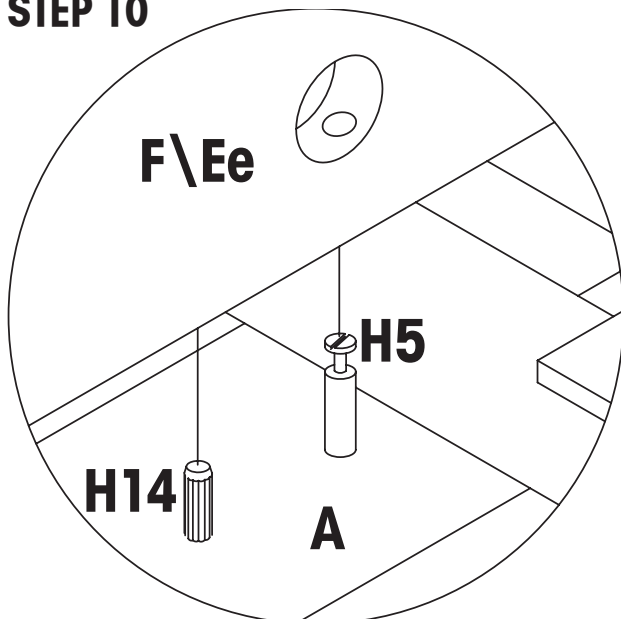


**STEP 9**

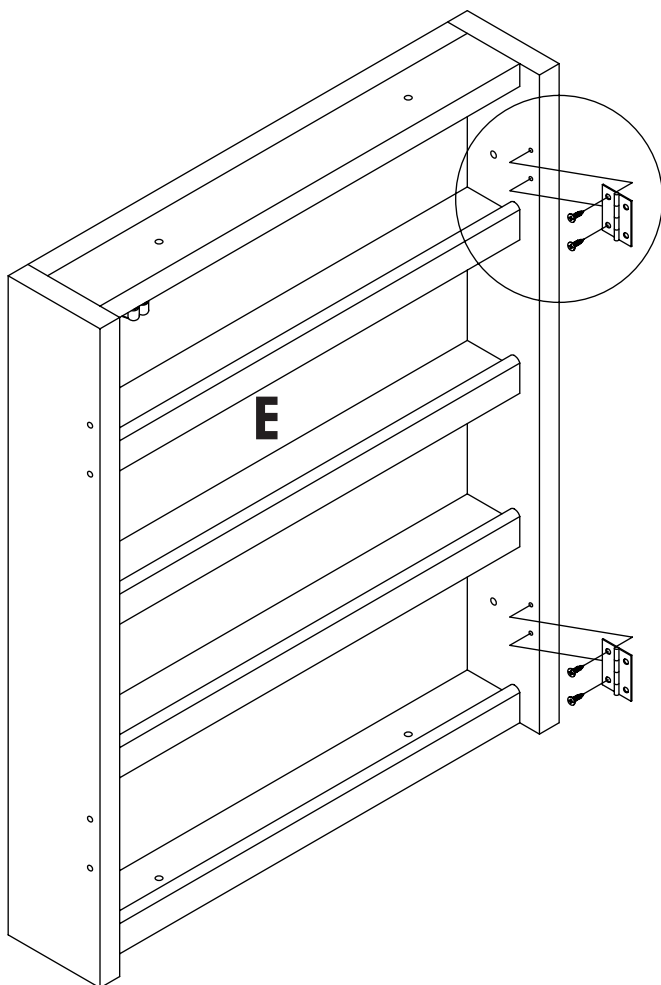
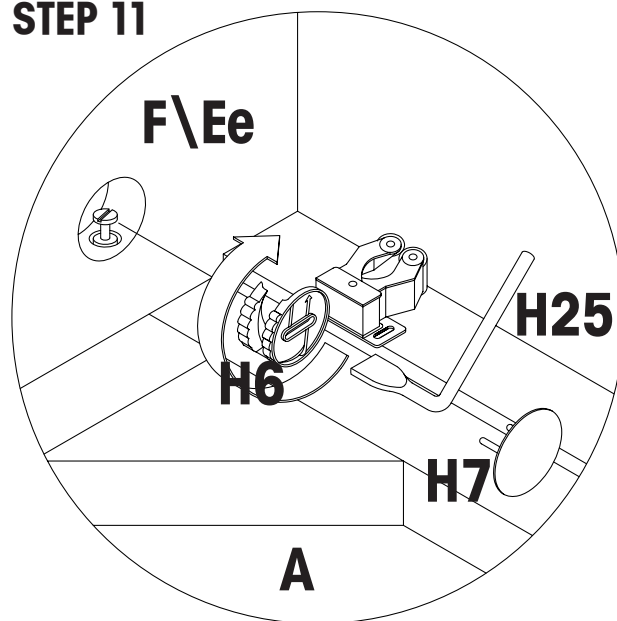




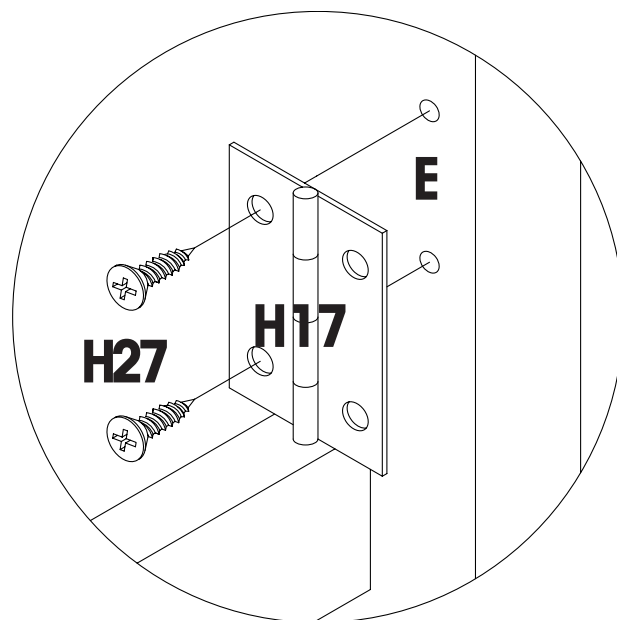
**STEP 10**

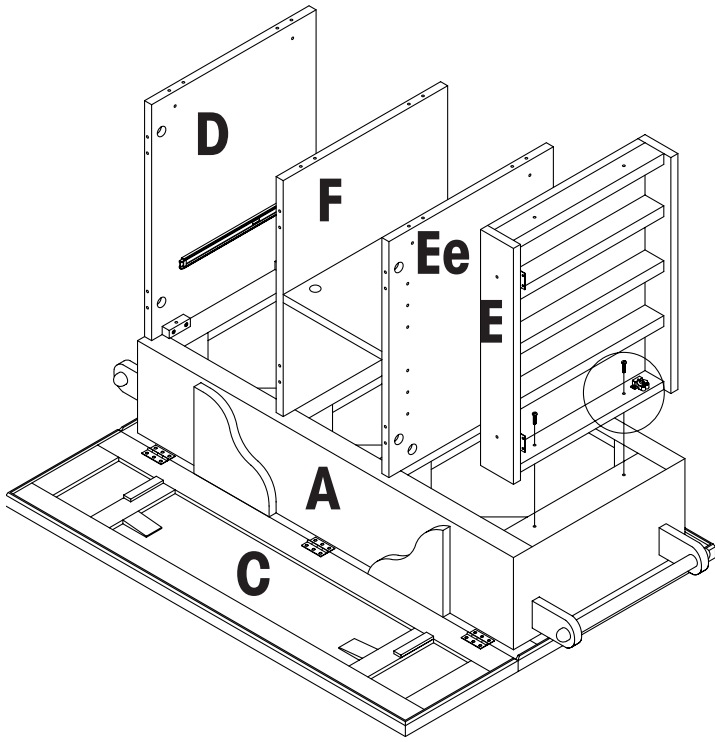


**STEP 11**

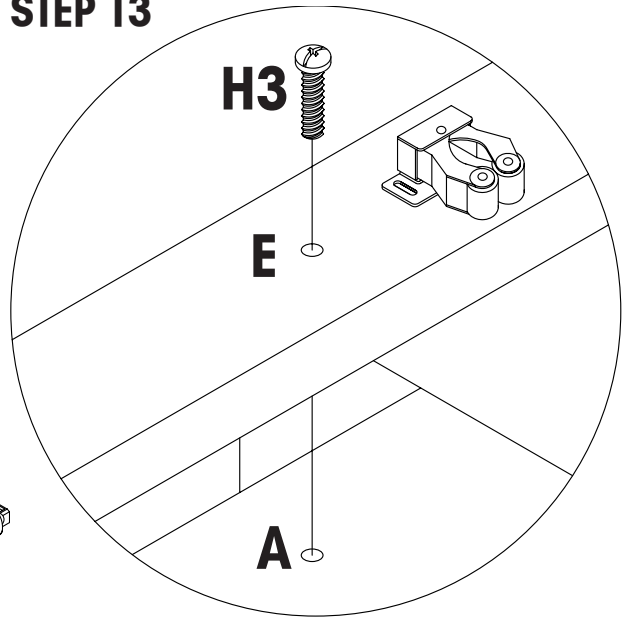


**STEP 12**

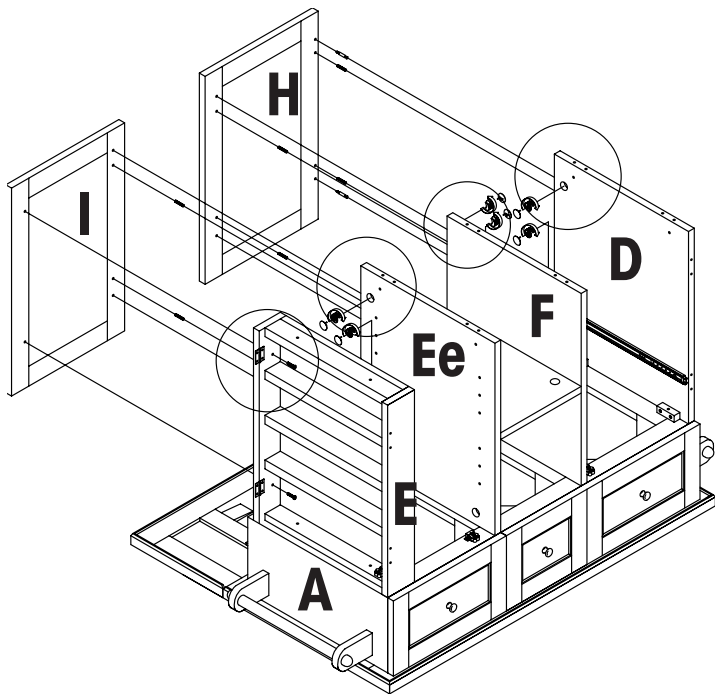
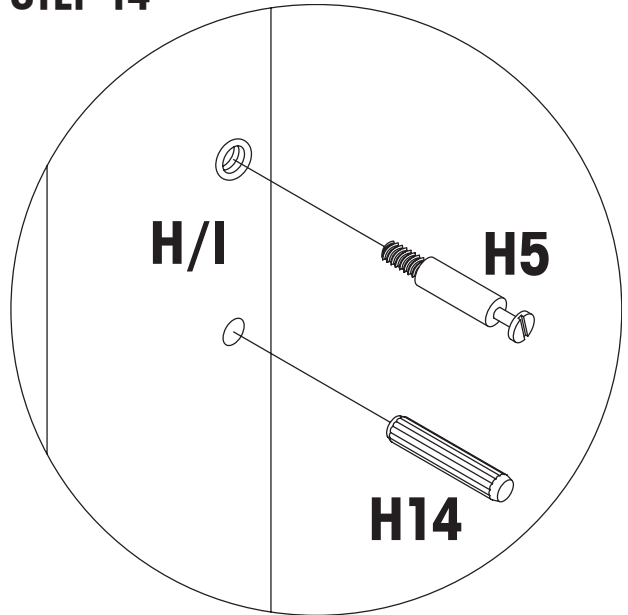




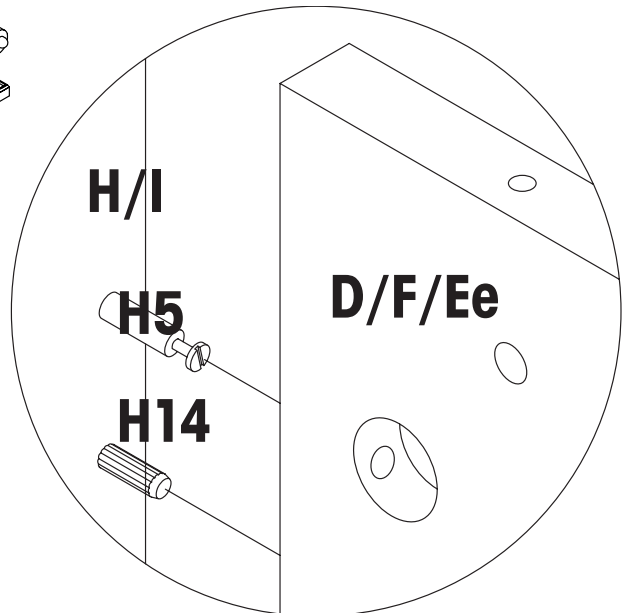
**STEP 13**



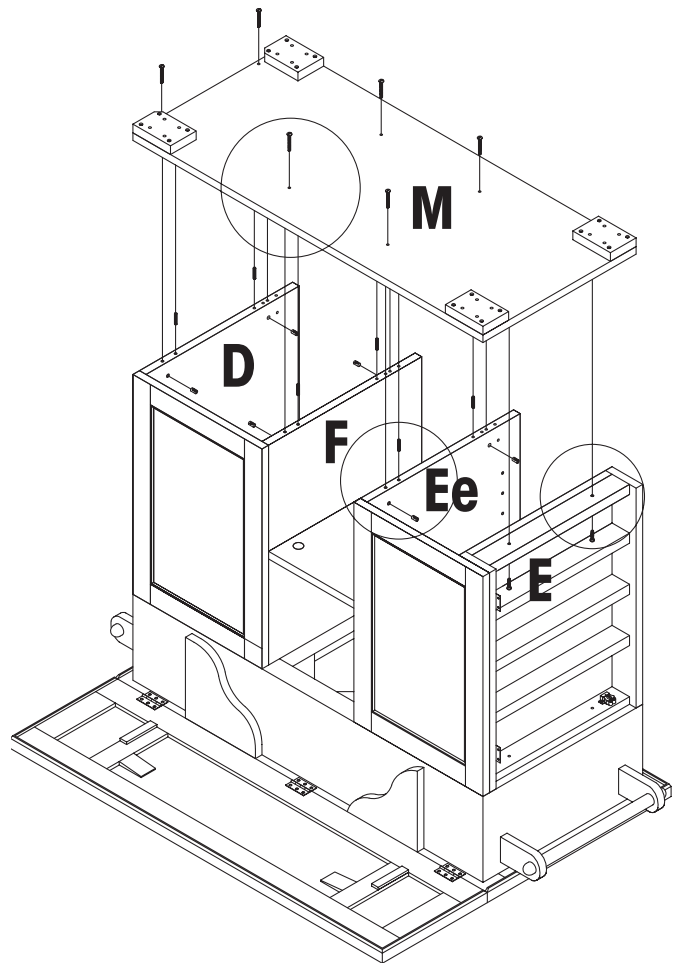
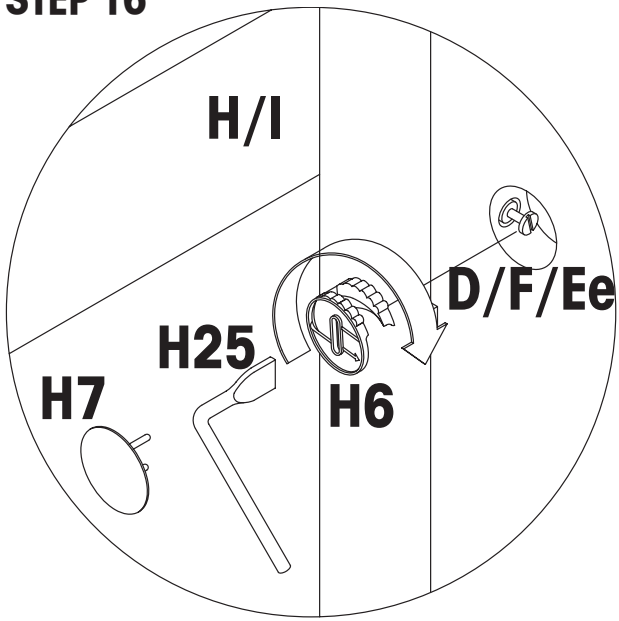
**STEP 14**



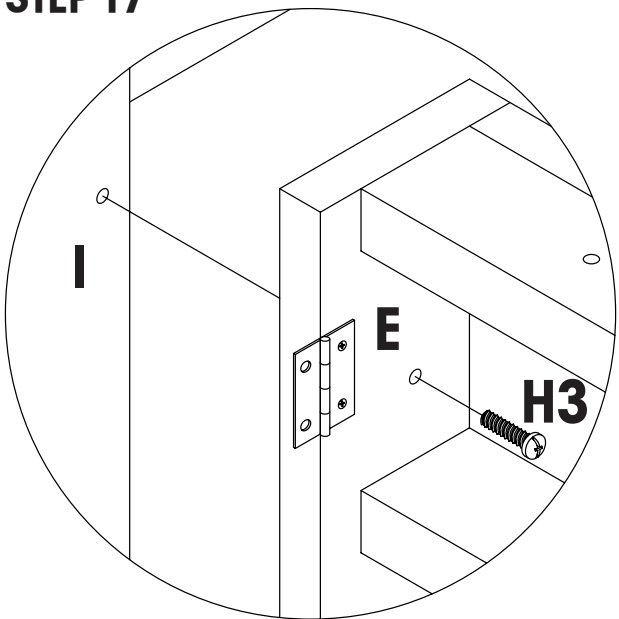
**STEP 15**



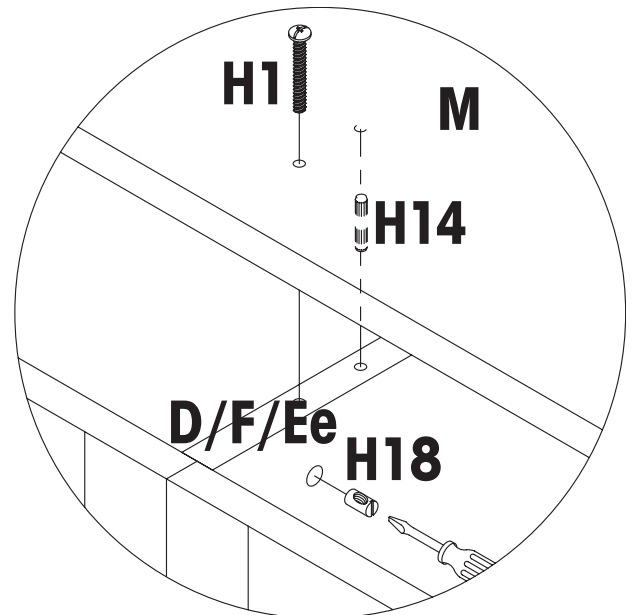
**STEP 16**



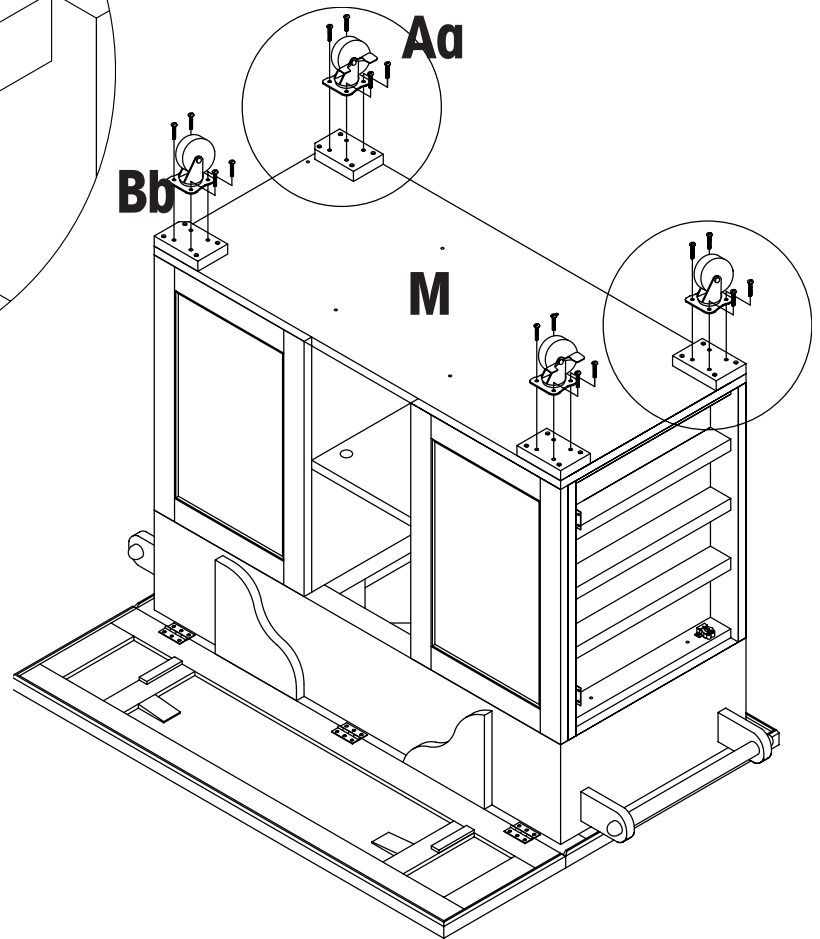
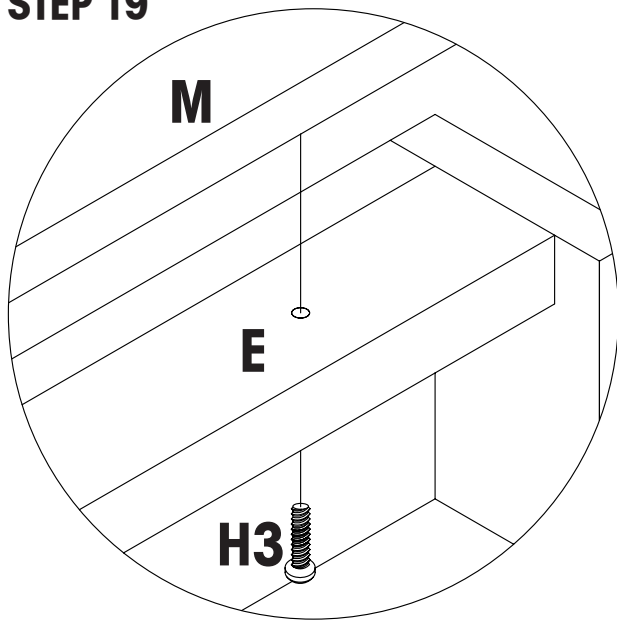
**STEP 17**



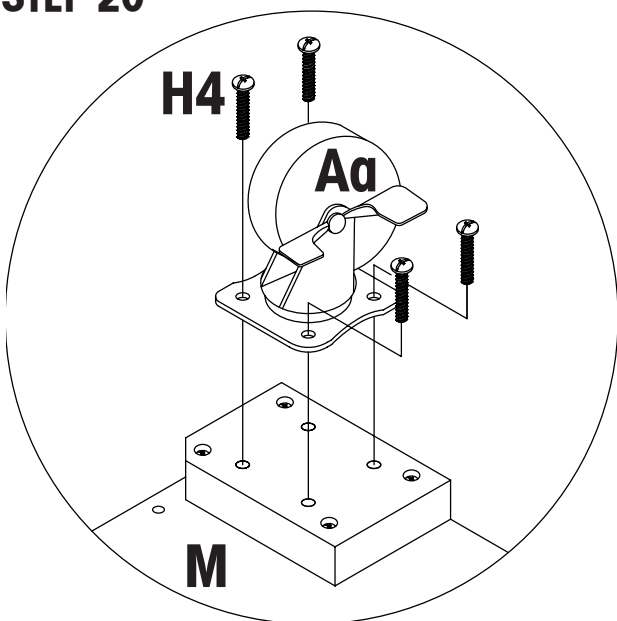
**STEP 18**



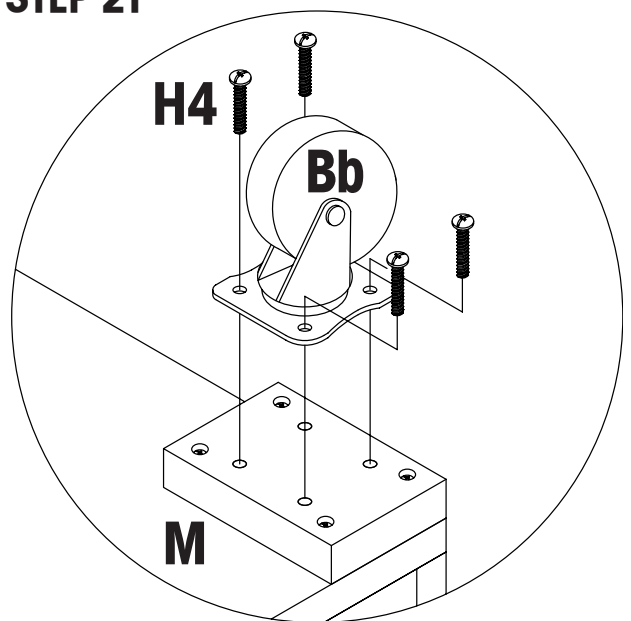
# STEP 19



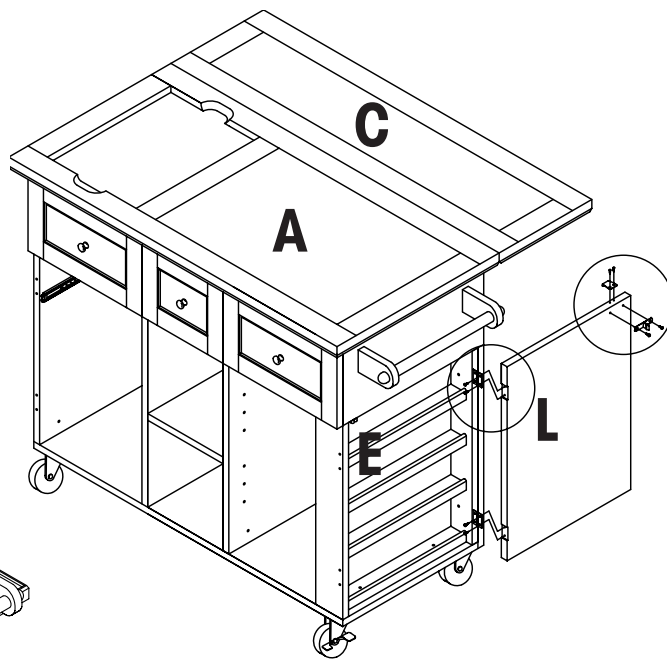
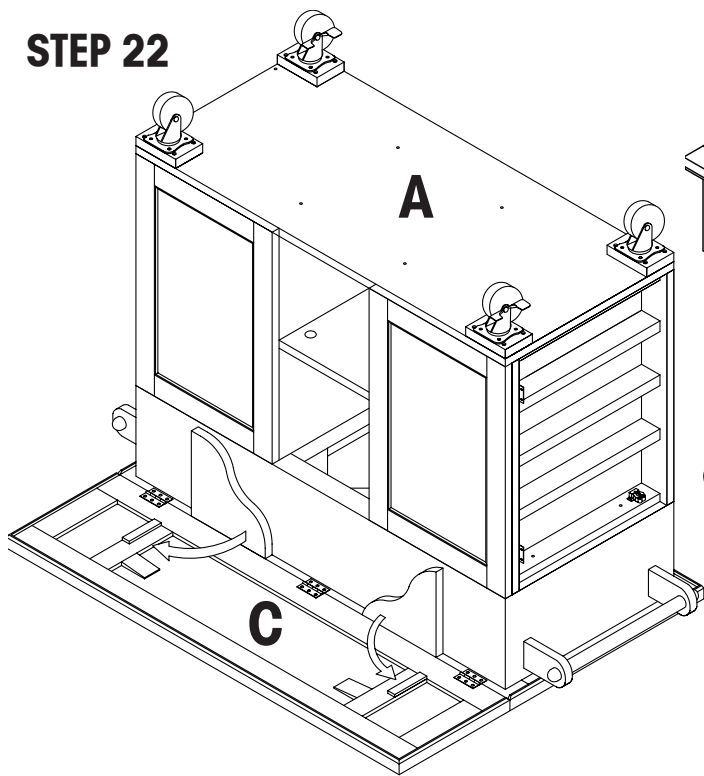
# STEP 20



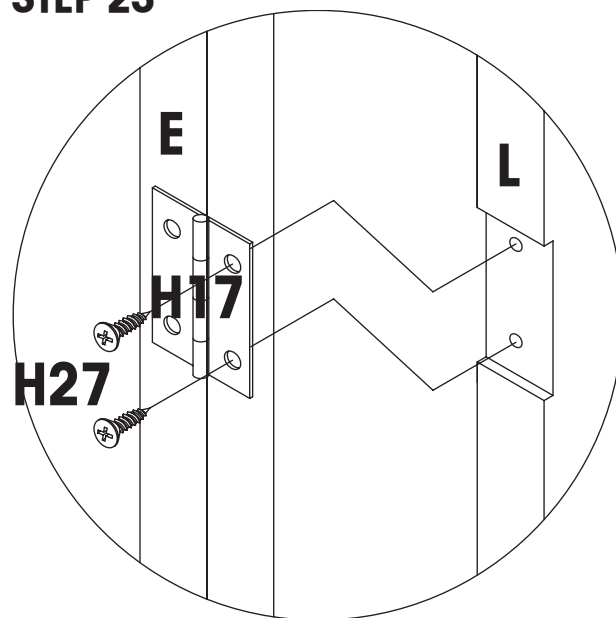
# STEP 21



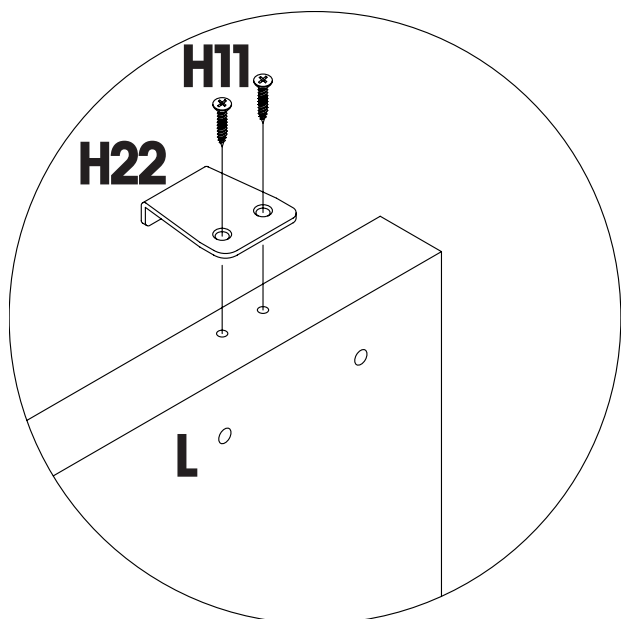
**STEP 22**



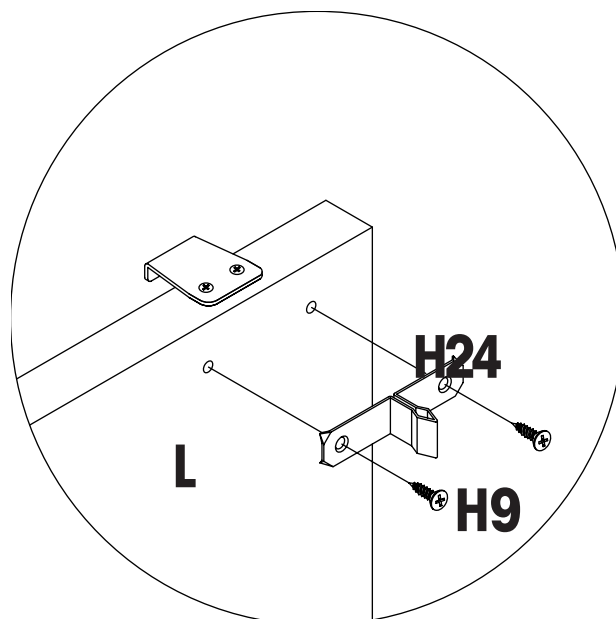
**STEP 23**



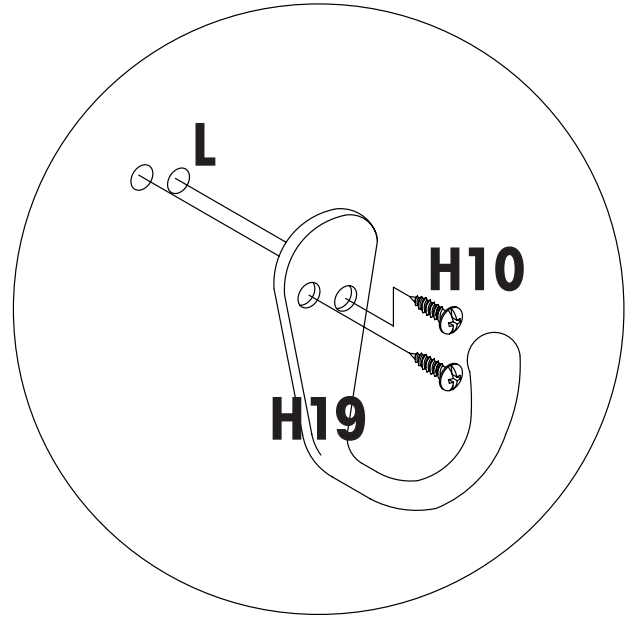
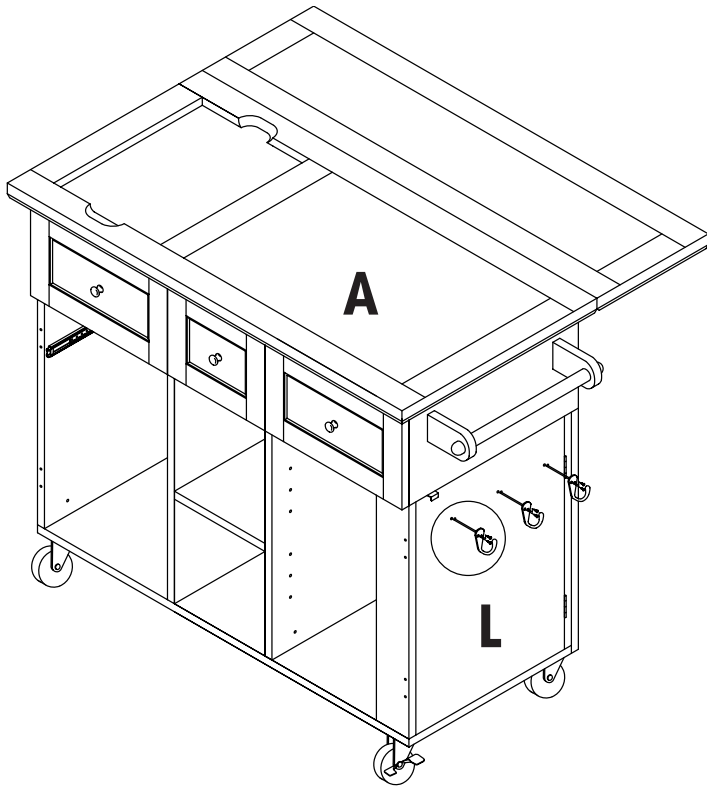
**STEP 24**



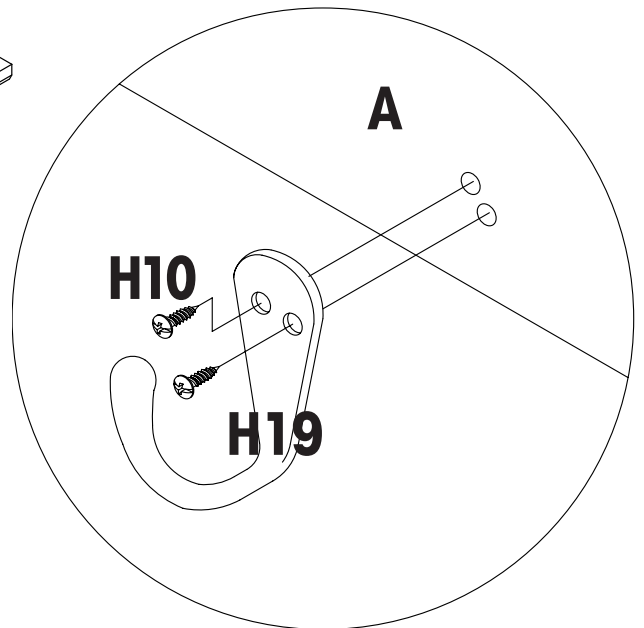
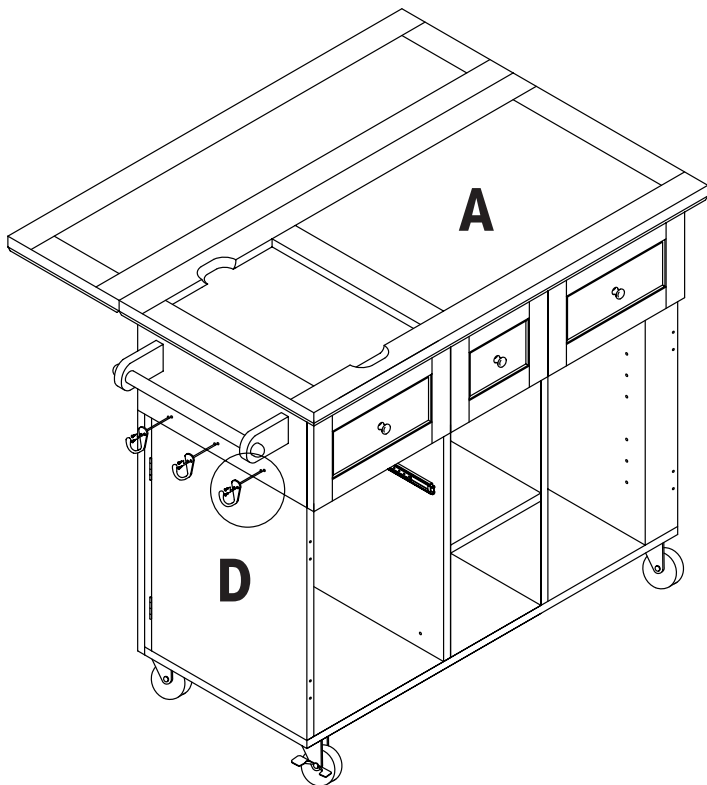
**STEP 25**

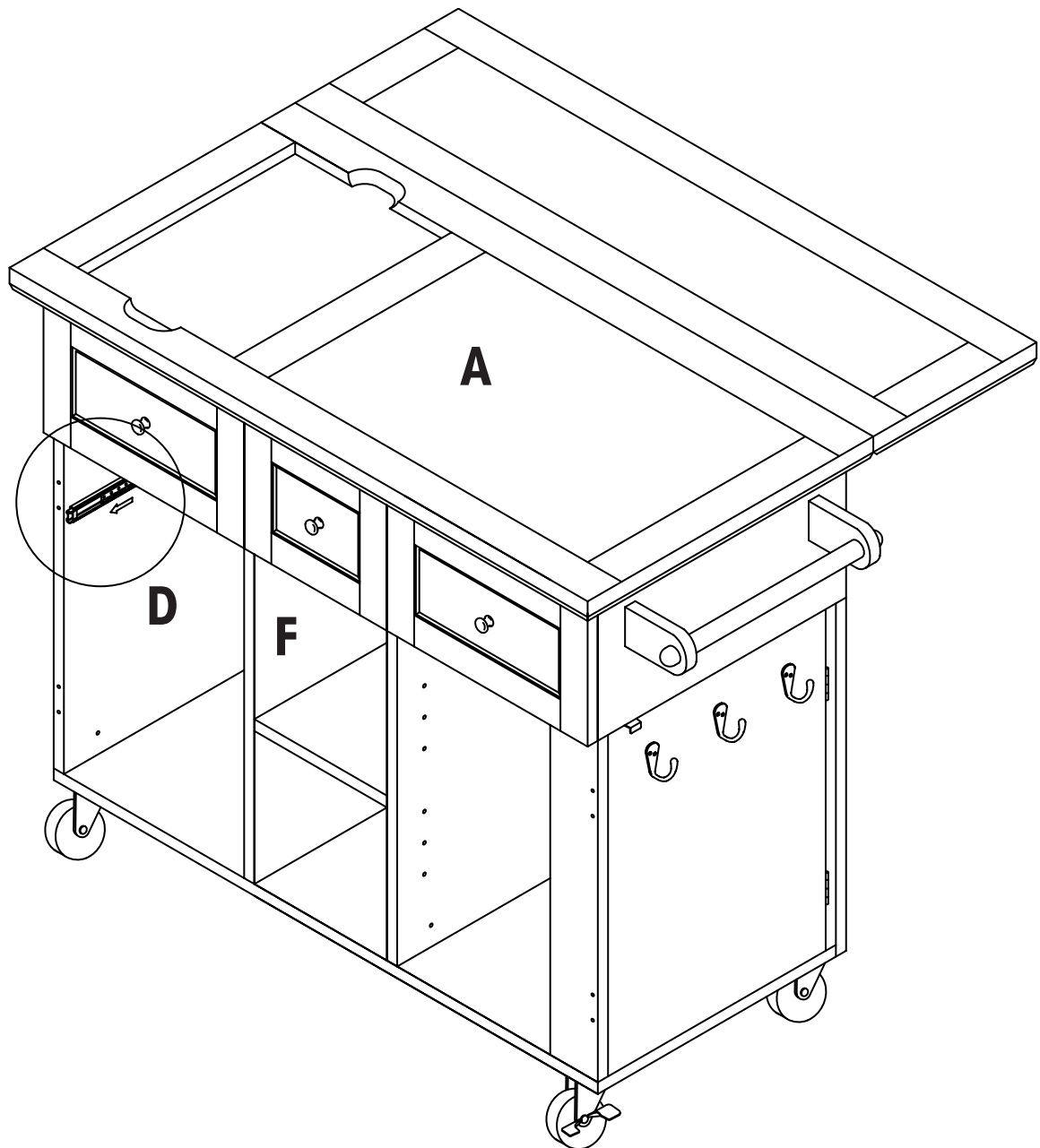


**STEP 26**

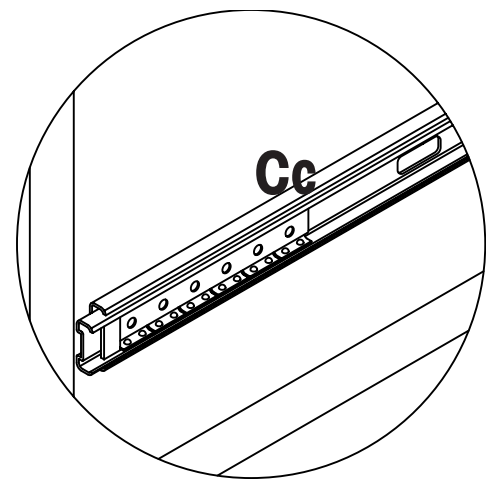
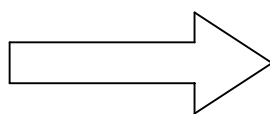
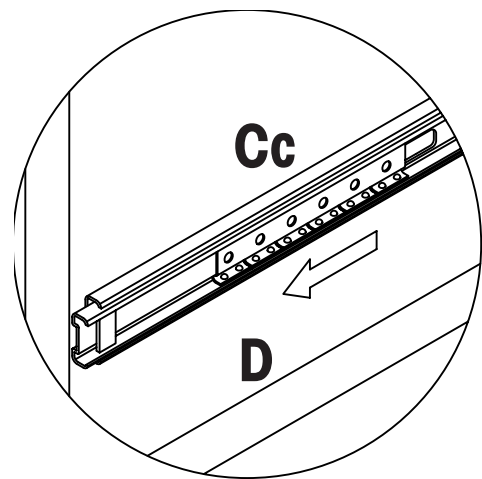


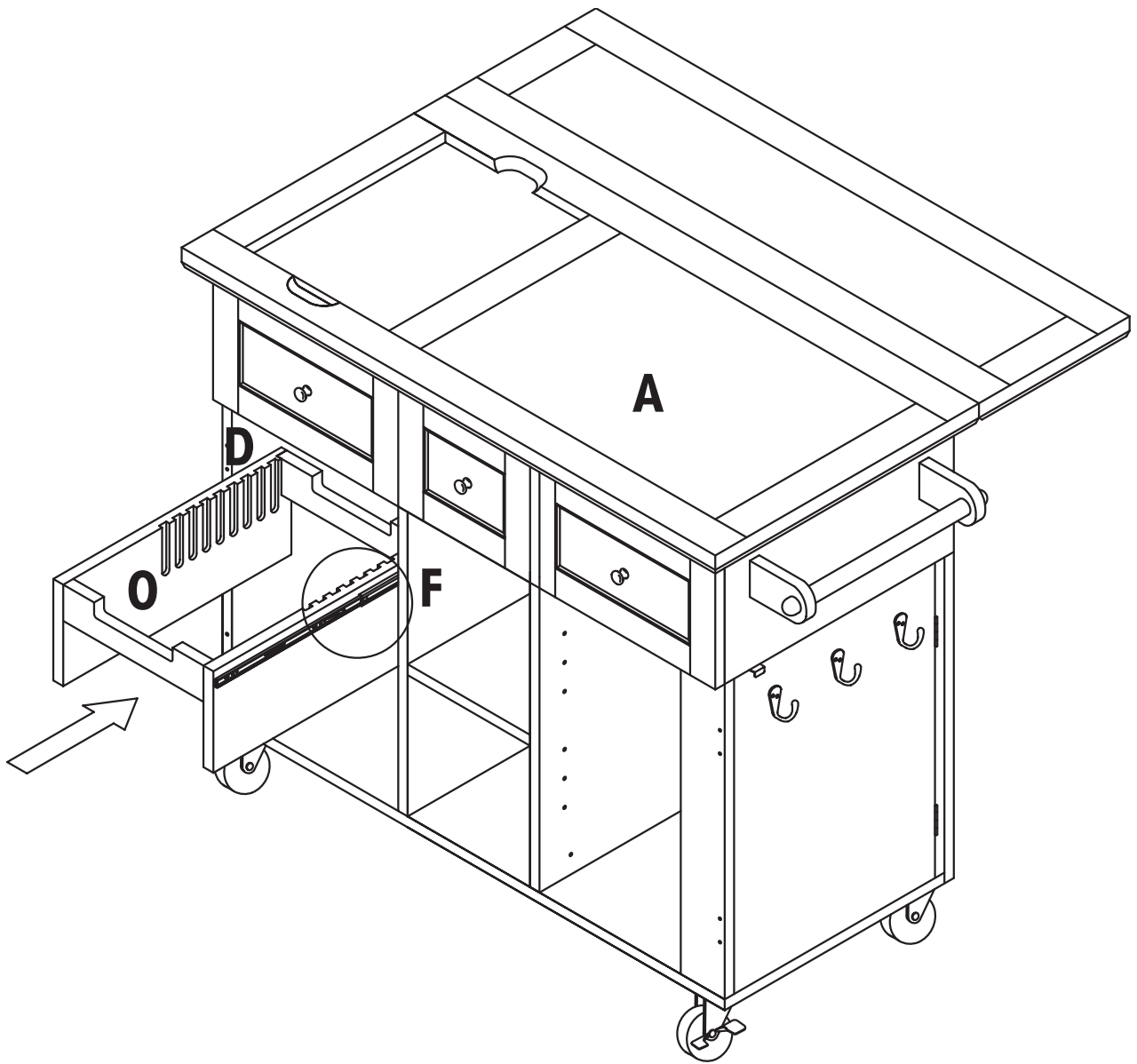
**STEP 27**



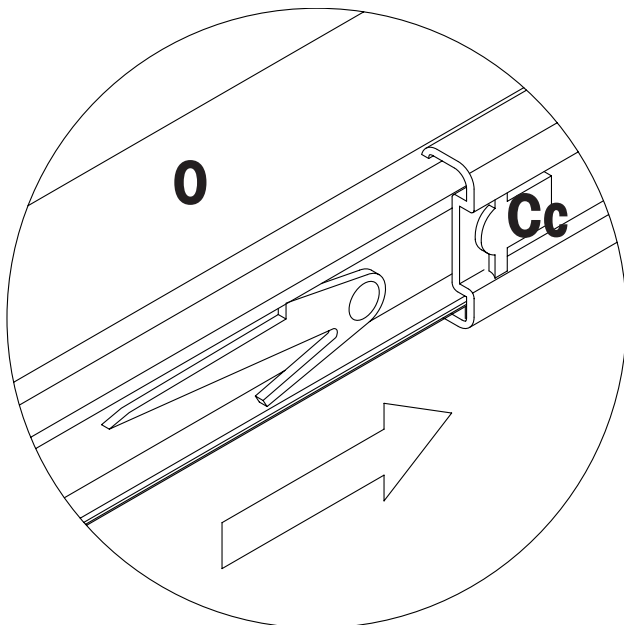


**STEP 28**

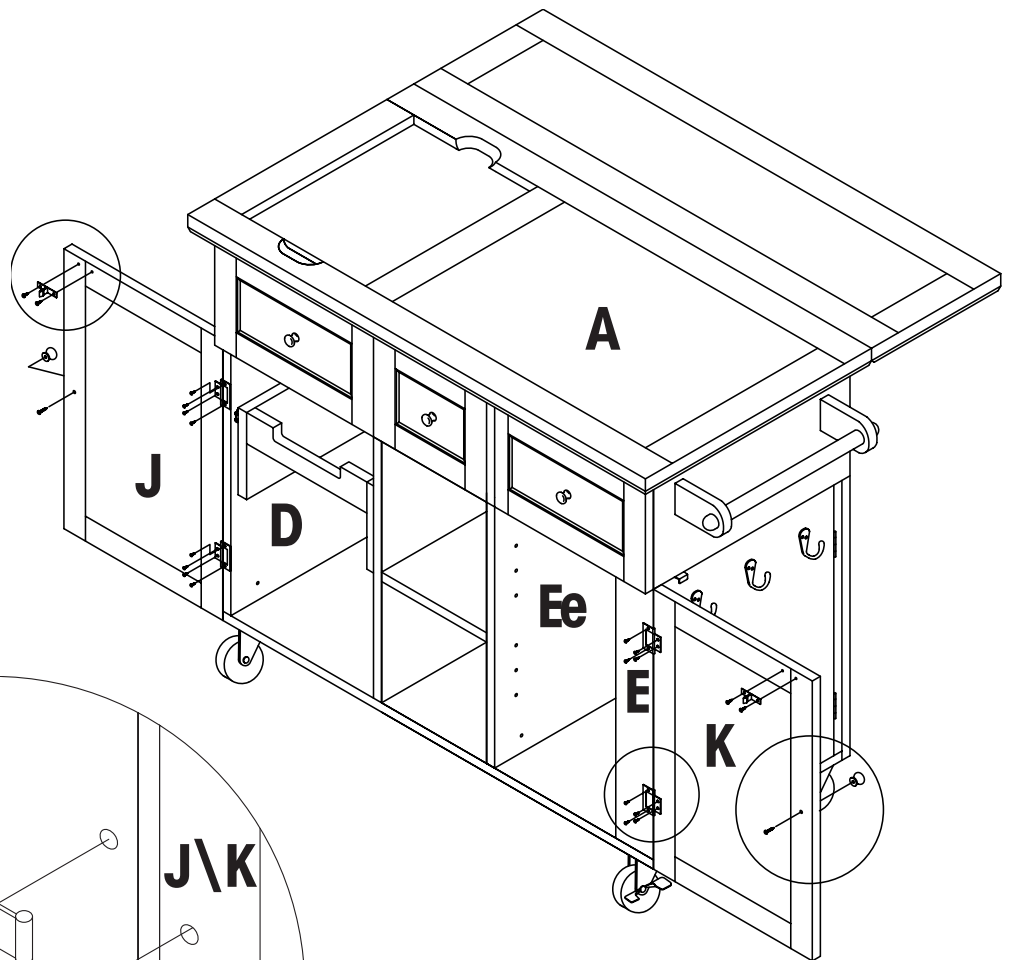




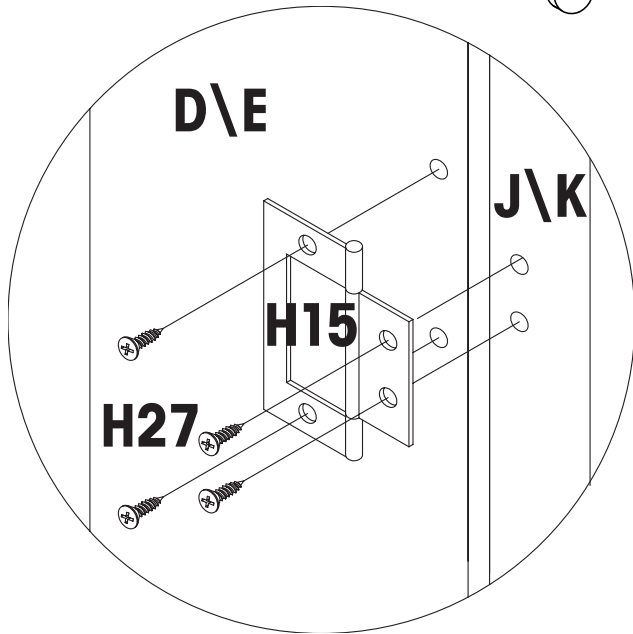
**STEP 29**



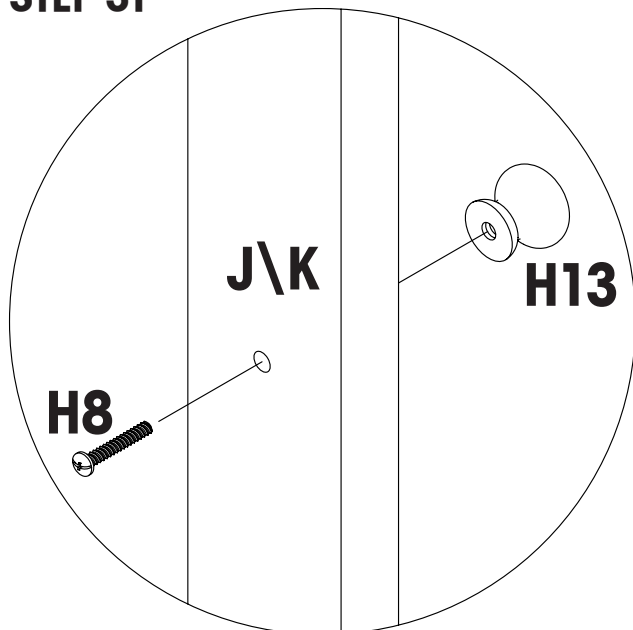




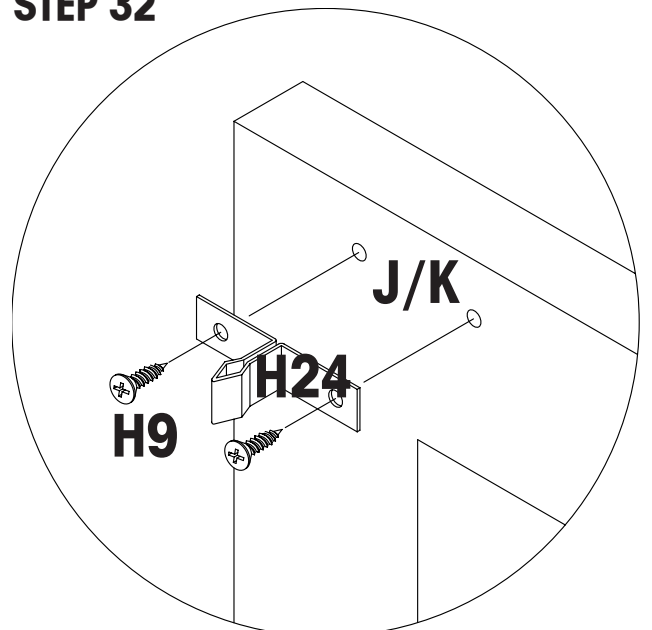
**STEP 30**

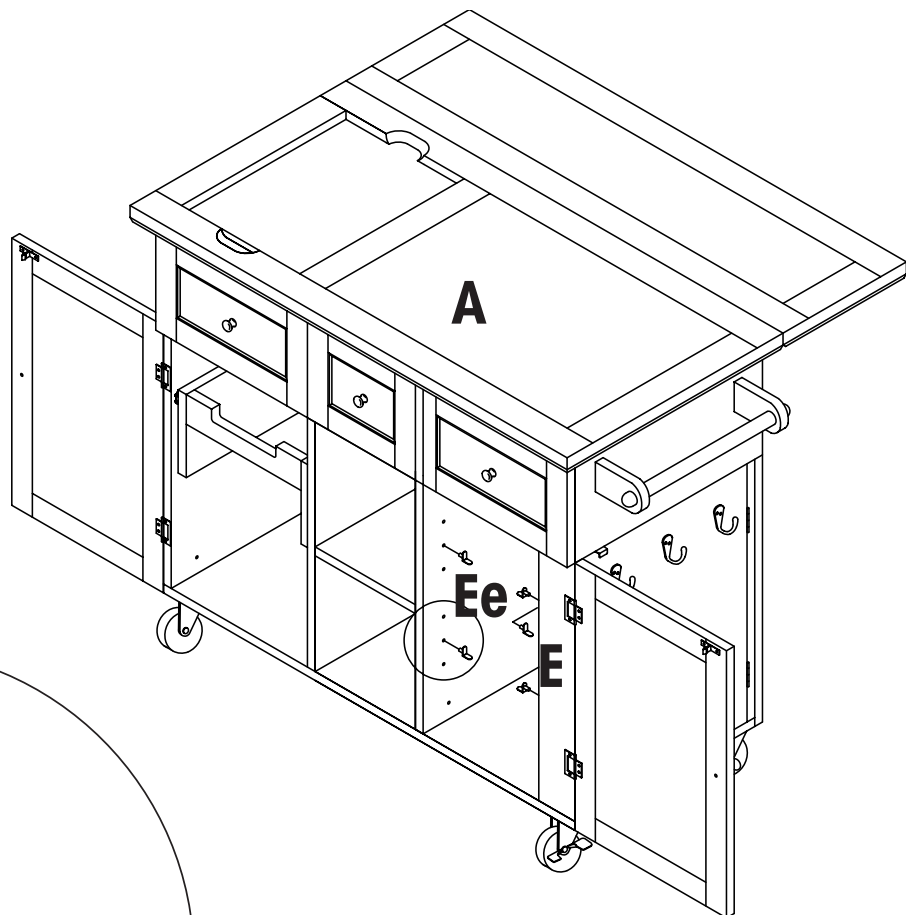


**STEP 31**

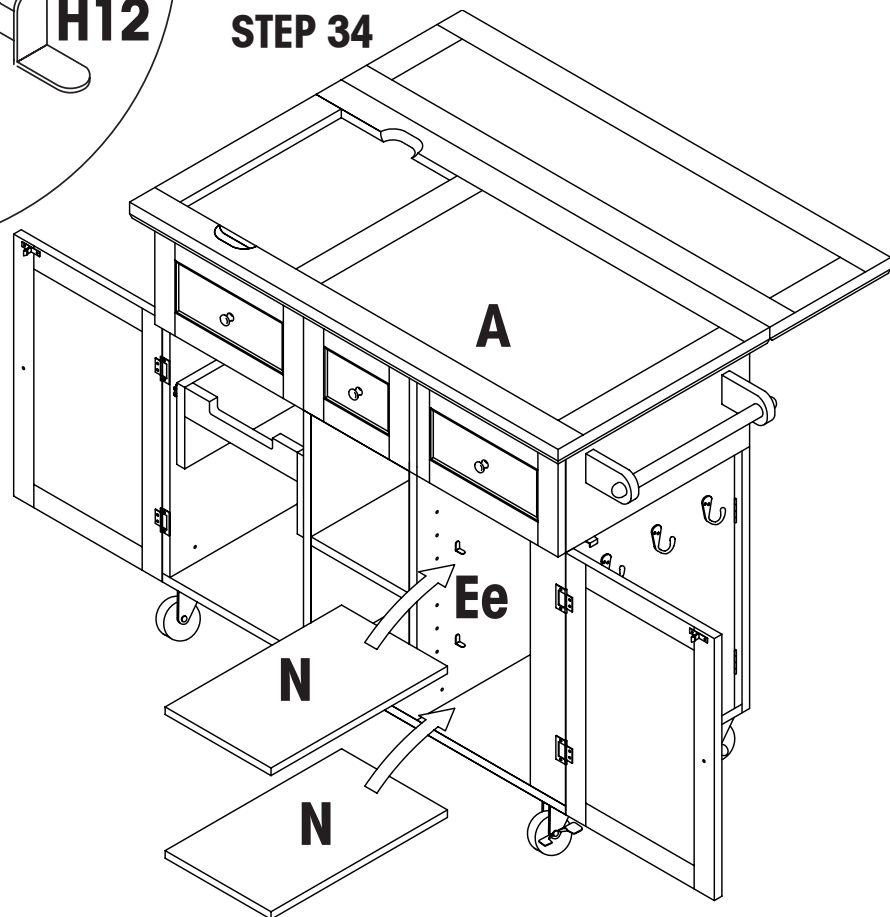
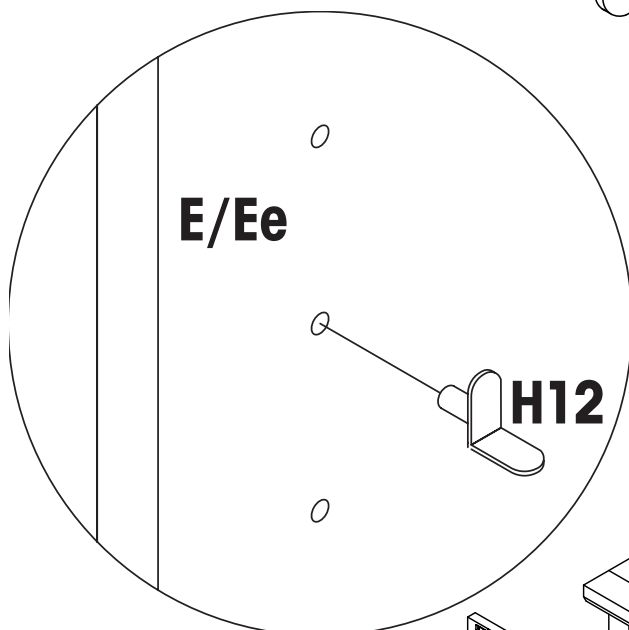


**STEP 32**



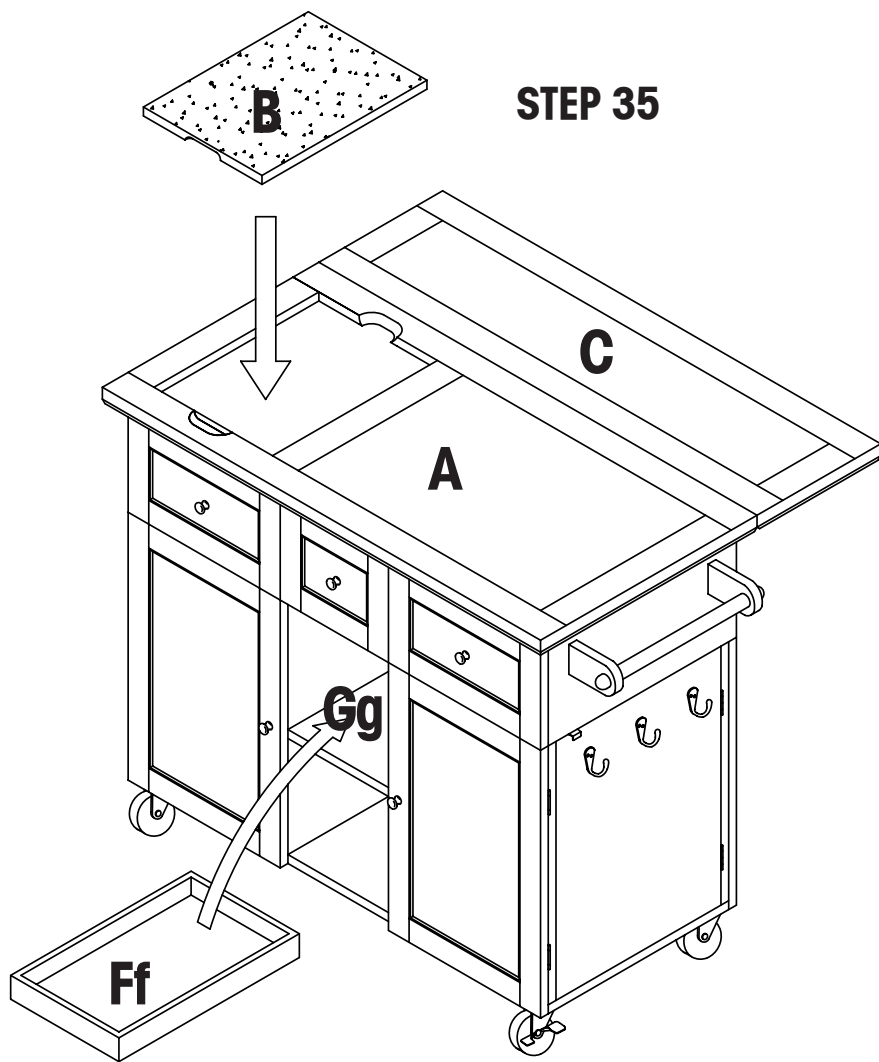


**STEP 33**

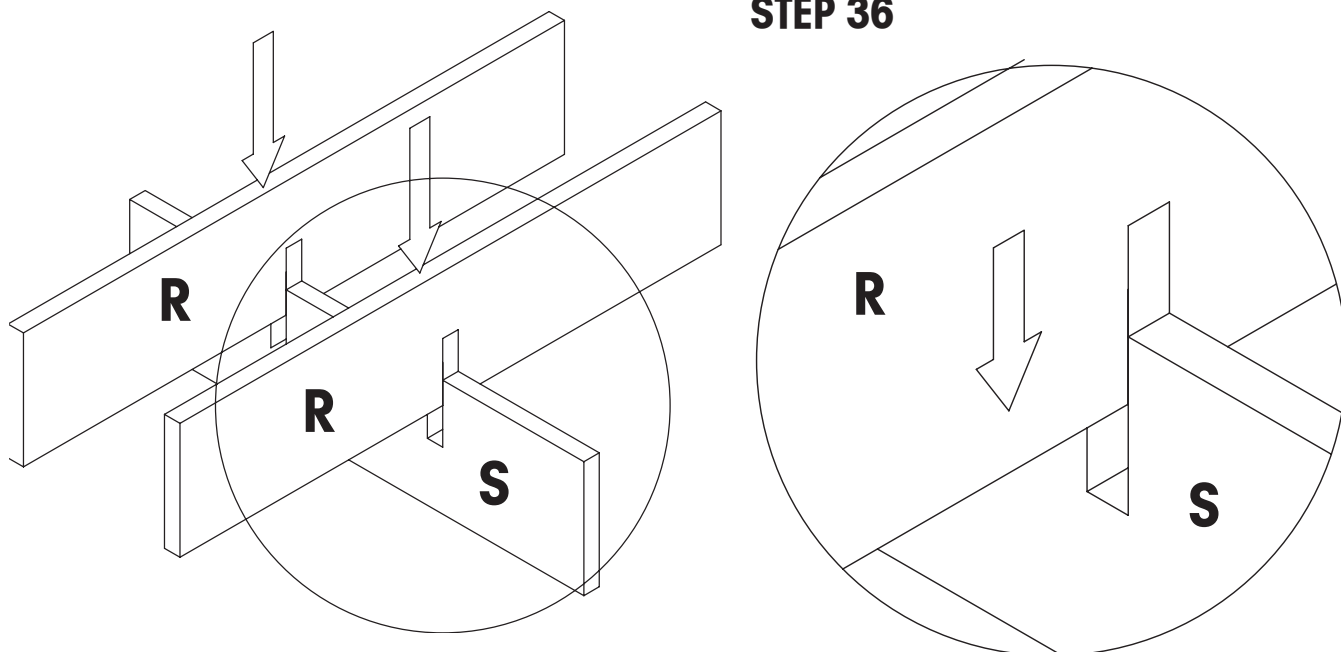


**STEP 34**

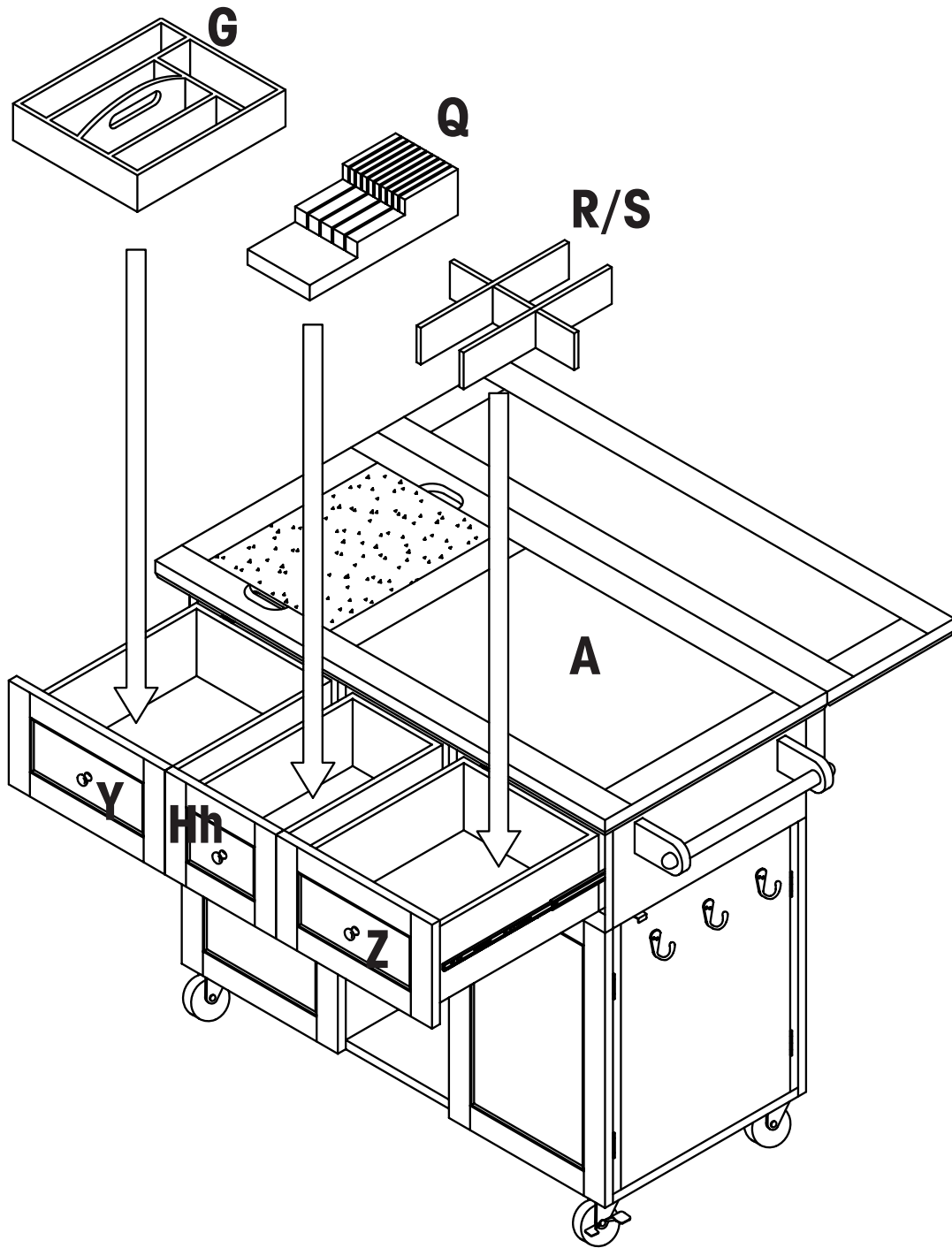
**STEP 35**



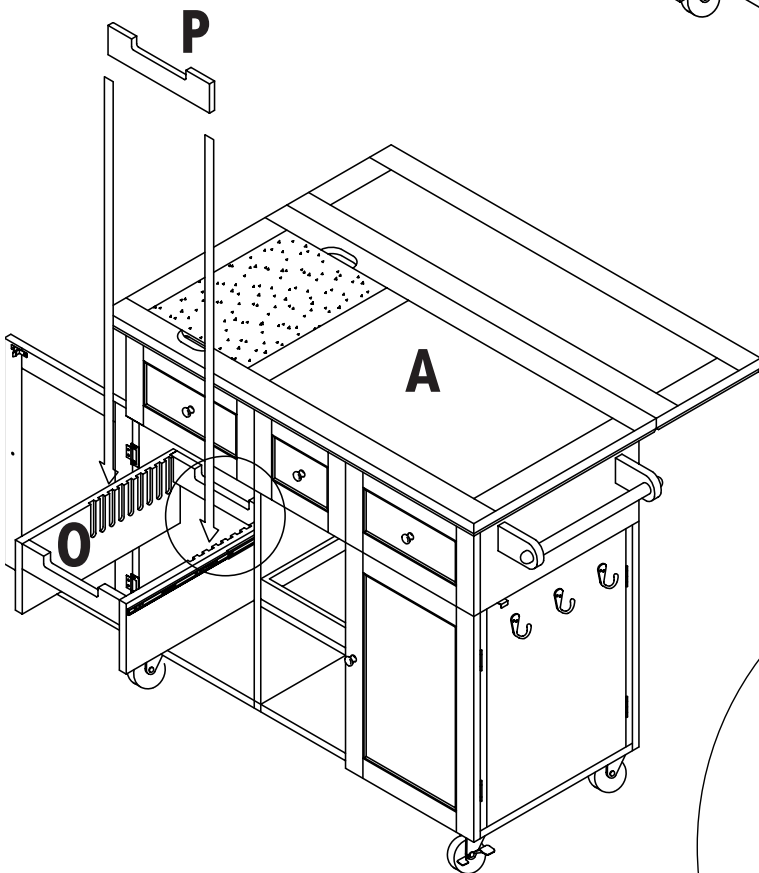
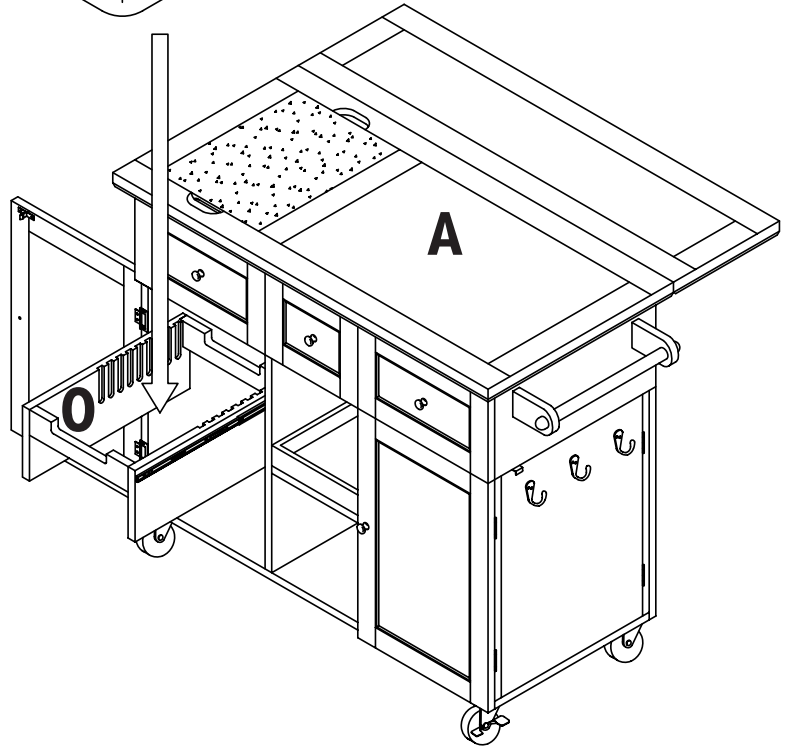
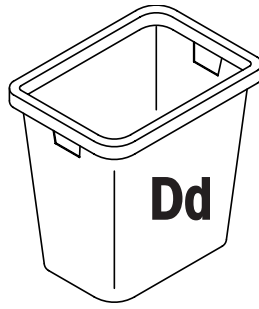
**STEP 36**



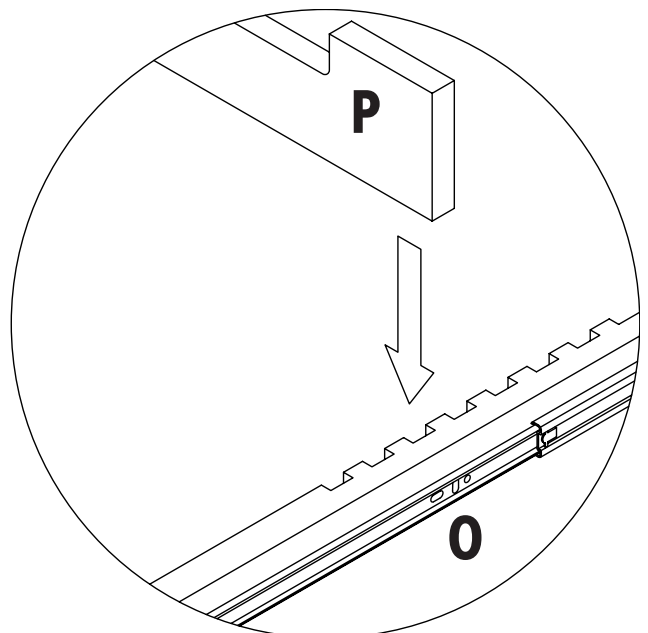
**STEP 37**

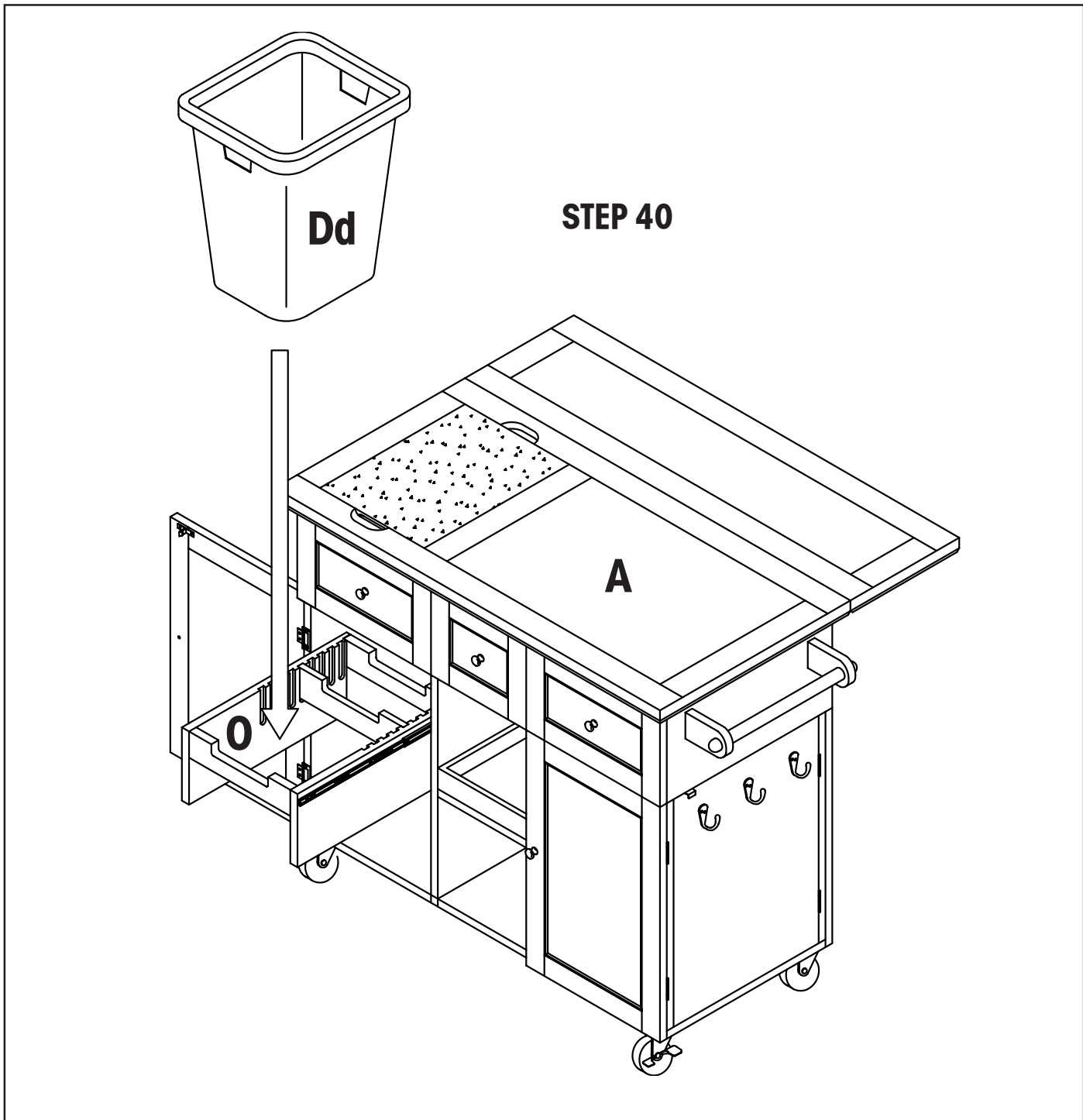


**STEP 38**



**STEP 39**





**IF YOU HAVE A PROBLEM, WE WANT TO HAVE THE OPPORTUNITY TO MAKE IT RIGHT!**

Should there be any missing or defective part(s),  
**Fax this form to (310) 841-0842**  
or call Customer Service at (800) 622-4456 or (310) 204-2224  
Have your model number and part code letter handy.

**MODEL NO.**

© 2005 Powell

- 533-477** "ANTIQUE WHITE"
- 534-477** "MEDIUM OAK"
- 535-477** "MEDIUM BIRCH"

Part Letter    Description    Quantity

\_\_\_\_\_  
\_\_\_\_\_  
\_\_\_\_\_

Name \_\_\_\_\_  
Address \_\_\_\_\_

Daytime Phone (    ) \_\_\_\_\_  
Reason for replacement \_\_\_\_\_

Place of purchase \_\_\_\_\_