

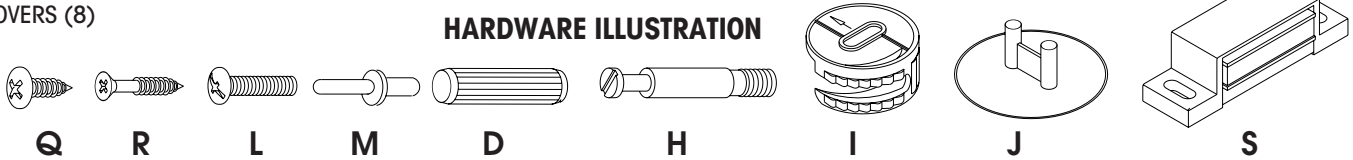
Made in China

PARTS

- | | |
|----------------------|---------------------------|
| (A) LEFT SIDE PANEL | (K) KNOBS (2) |
| (B) RIGHT SIDE PANEL | (L) MACHINE SCREW |
| (C) CROSS BRACE | (M) HINGE PINS (2) |
| (D) DOWELS (8) | (N) BASKET |
| (E) DOOR | (O) TRAY |
| (F) BASE | (P) TOP |
| (G) BACK | (Q) LARGE WOOD SCREWS (4) |
| (H) CAM-BOLTS (8) | (R) SMALL WOOD SCREWS (2) |
| (I) CAM-LOCKS (8) | (S) MAGNETIC LATCH |
| (J) COVERS (8) | |

Thank you for purchasing this quality product. Be sure to check all packing material carefully for small parts which may have come loose inside the carton during shipment. Separate, identify, and count all parts and metal hardware. Compare with parts list to be sure all parts are present. If any part(s) are missing or damaged, phone, fax, or mail to our Customer Service Department. For efficient and speedy service, please indicate the model number and code letter of part(s) needed.

HARDWARE ILLUSTRATION



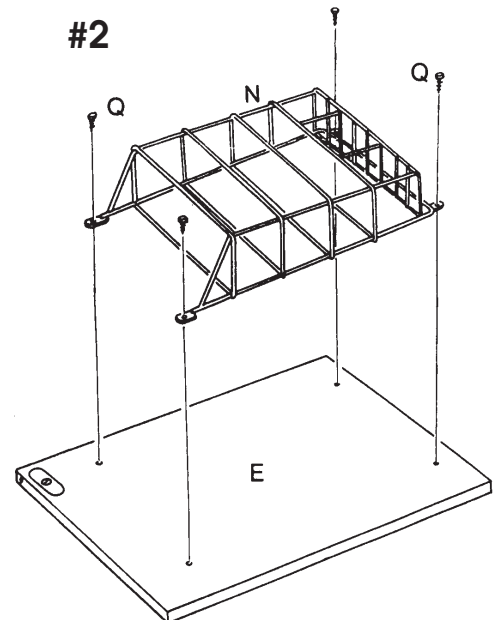
Tools required: Screwdriver (not included)

ATTENTION: SOME NUMBERED PARTS LISTED ON THE INSTRUCTION SHEET MAY NOT BE IN PARTS BAG AS THEY MAY ALREADY BE ASSEMBLED. CAREFULLY CHECK PARTS AND PACKING MATERIALS PRIOR TO ORDERING REPLACEMENTS.

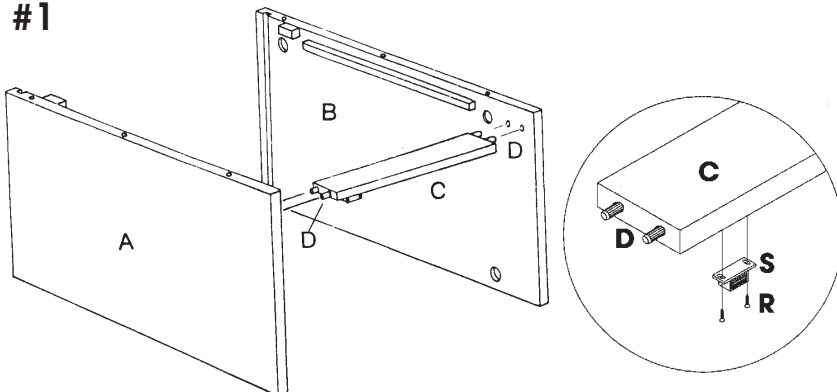
IMPORTANT NOTE: Follow instructions listed below in the proper sequence as numbered to assure fast, easy and correct assembly.

- Note:** Upon opening, thoroughly clean all wood surfaces with furniture polish to remove dust and dirt that may have settled onto finish during shipment.
- Insert Dowels (D) into ends of Cross Brace (C). Tighten Small Wood Screws (R) through Magnetic Latch (S) into Cross Brace (C). Insert Dowels (D) extending from Cross Brace (C) into corresponding holes near top edge of Left and Right Side Panels (A,B). Groove on Side Panels (A,B) should face inward. Door stop on Cross Brace (C) should face downward. (See ill. #1)
- Insert Large Wood Screws (Q) through loops in Basket (N) and tighten into corresponding holes on inside of Door (E). (See ill. #2)
- Tighten Cam-bolts (H) into threaded holes in Base (F). Insert Dowels (D) into remaining holes in Base (F). Insert Cam-locks (I) into large holes near bottom edge of Side Panels (A,B). Rotate Cam-locks (I) with a screwdriver so arrow points toward Cam-bolts (H). Note: Be sure that slot for screwdriver faces outward. (See ill. #3 & #4)
- Insert long end of Hinge Pins (M) into top and bottom corners of Door (E). Align holes on bottom edge of Side Panels (A,B) with Cam-bolts (H) extending from Base (F) and insert Cam-bolts (H) into holes in bottom edge of Side Panels (A,B). Lift Right Side Panel (B) slightly to allow insertion of Hinge Pin (M) extending from bottom corner of Door (E) into hole in Base (F). Align hole in Cross Brace (C) with Hinge pin (M) extending from top corner of Door (E) and push Right Side Panel (B) and Cross Brace (C) downward until Right Side Panel (B) rests on Base (F). Rotate Cam-locks (I) clockwise to secure Side Panels (A,B) to Base (F). Push Covers (J) into Cam-locks (I). (See ill. #3)

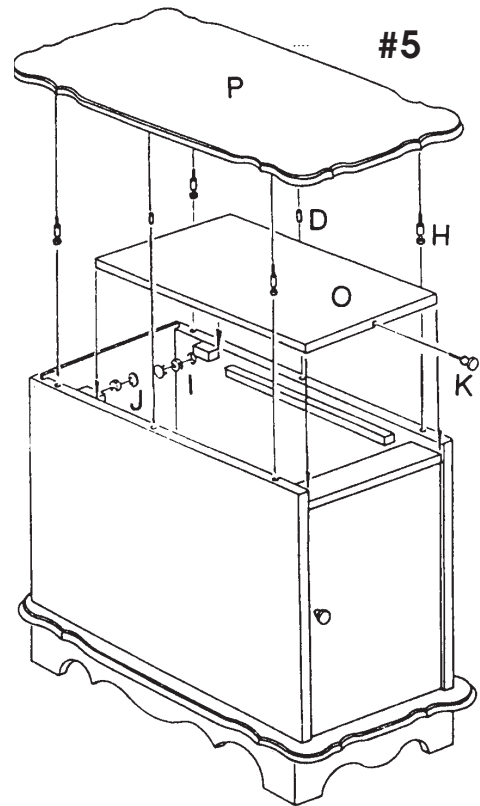
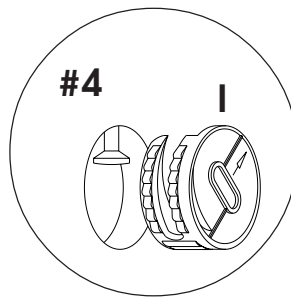
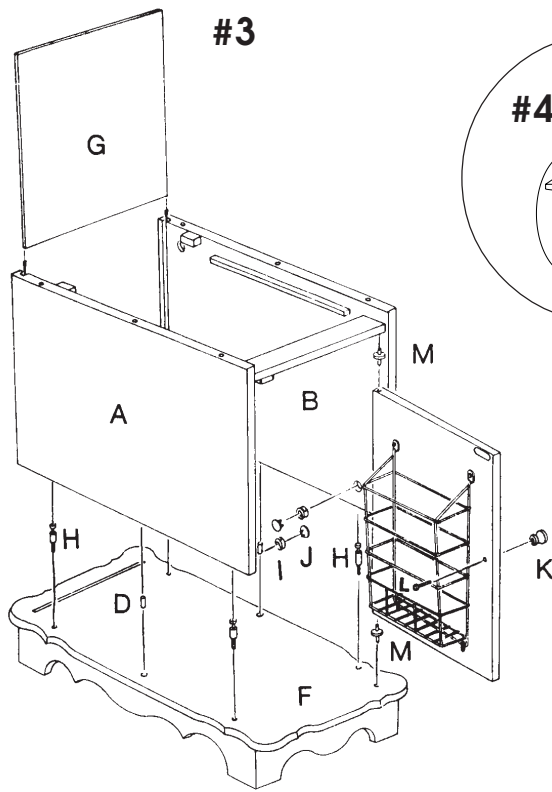
#2



#1



6. Slide Back (G) into groove in Side Panels (A,B) and align with groove in Base (F). (See ill. #3)
7. Insert Machine Screw (L) through back of Door (E) and tighten into Knob (K). (See ill. #3)
8. Tighten Cam-bolts (H) into threaded holes in Top (P). Insert Dowels (D) into remaining holes in Top (P). Insert Cam-locks (I) into large holes near top edge of Side Panels (A,B). Rotate Cam-locks (I) with a screwdriver so arrow points toward Cam-bolts (H). (See ill. #4 & #5)
9. Rest Tray (O) onto Cross Brace (C) and glides attached to Side Panels (A,B). Black side of Tray (O) should face upward. Tighten Knob (K) onto threaded post extending from Tray (O). (See ill. #5)
10. Align Cam-bolts (H) extending from Top (P) with holes in top edge of Side Panels (A,B) and press down on Top (P) until Top (P) rests on Side Panels (A,B). Rotate Cam-locks (I) clockwise to secure Top (P) to Side Panels (A,B). Push Covers (J) into Cam-locks (I). (See ill. #5)
11. Your furniture has been handcrafted and skillfully finished by fine craftsmen. Rich, deep antique finishes have been applied which require very little polish. However, should you desire a shinier finish, simply use any good grade of furniture polish, rubbing the finish lightly as it is being applied. Allow to dry and buff lightly with a soft cloth.



IF YOU HAVE A PROBLEM, WE WANT TO HAVE THE OPPORTUNITY TO MAKE IT RIGHT!

Should there be any missing or defective part(s),

FAX this form to (310) 841-0842

or call Customer Service at (800) 622-4456 or (310) 204-2224

Have your model number and part code letter handy.

MODEL NO. 843 "Nostalgic Oak"
 © 1991 Powell **844** "Heirloom Cherry"

Part Letter	Description	Quantity

Name _____
 Address _____

 Daytime Phone () _____
 Reason for Replacement _____

 Place of Purchase _____