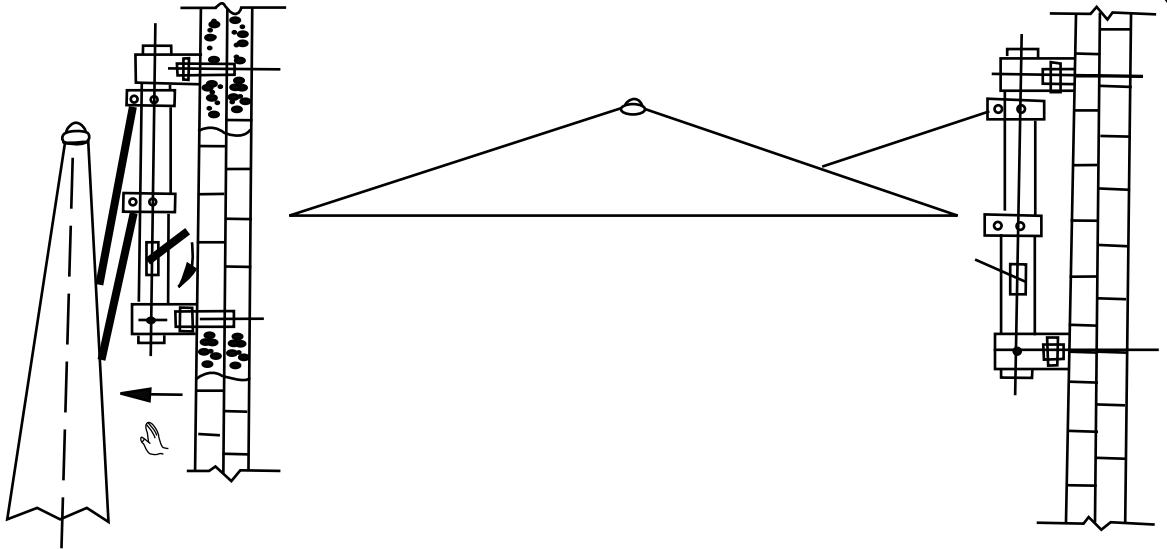


Wall Umbrella Operating Instructions

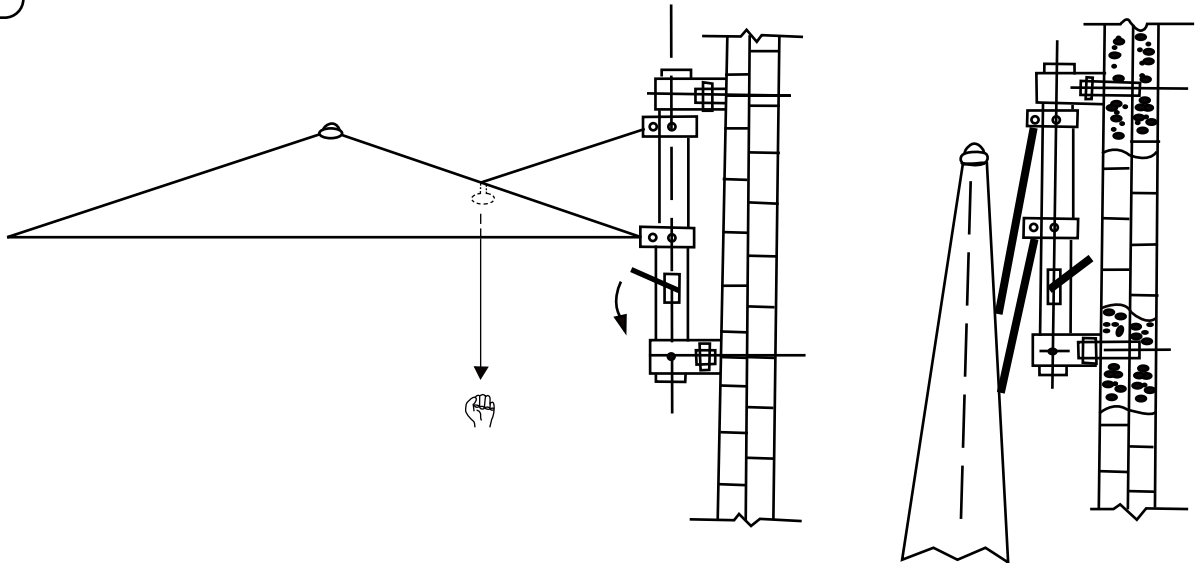
! WARNING: UMBRELLA SHOULD BE CLOSED DURING EXTREME WEATHER CONDITIONS, INCLUDING WIND, RAIN, AND SNOW.

1



To open the umbrella, crank the handle in a clockwise direction. At the same time, push out umbrella so it opens to its full size.

2



To close the umbrella, crank the handle in a counter-clockwise direction. At the same time, pull down umbrella at the handle on the rib, so it closes completely.

IMPORTANT: Periodically check all connections on your umbrella to make sure they are tight and secure. Retain these instructions for future reference.

For customer service inquiries,
or to see our full range of related products, visit us at:

www.cri2k.com WEB
into@cri2k.com EMAIL

Thank you for your purchase.

If you experience difficulties with this product,
do not return to the place of purchase.
Please contact CRI2000, L.P., and we will replace defective
or missing parts free of charge (Continental US only).