

# 4-Piece Seating Set

## Loveseat Assembly Instructions

**! WARNING:** ADULT ASSEMBLY REQUIRED. CONTAINS SMALL PARTS, SHARP POINTS AND EDGES. DO NOT CLIMB, LEAN, SIT, STAND OR PULL ON UNIT FOR SUPPORT.

### Hardware Included



A. BOLT (7)  
M6 X 35MM



B. BOLT (10)  
M6 X 55MM



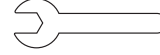
C. BOLT (2)  
M6 X 95MM



D. WASHER (29)



E. NUT (10)



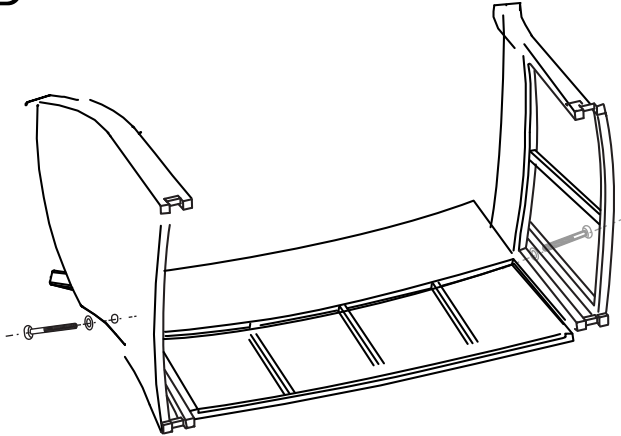
F. OPEN END WRENCH (1)



G. HEX WRENCH (1)

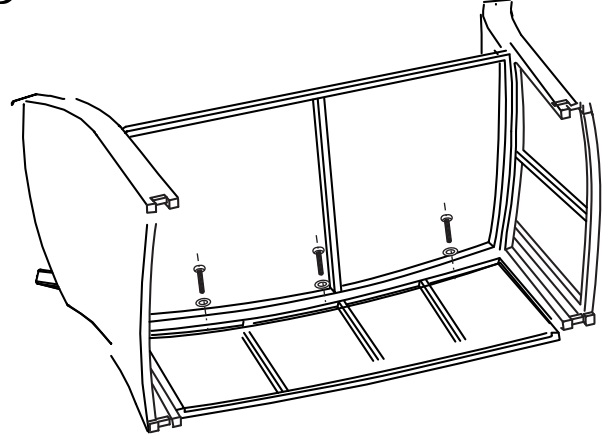
**IMPORTANT NOTE:** During assembly, place loveseat on carpet or padded surface to protect the finish.

1



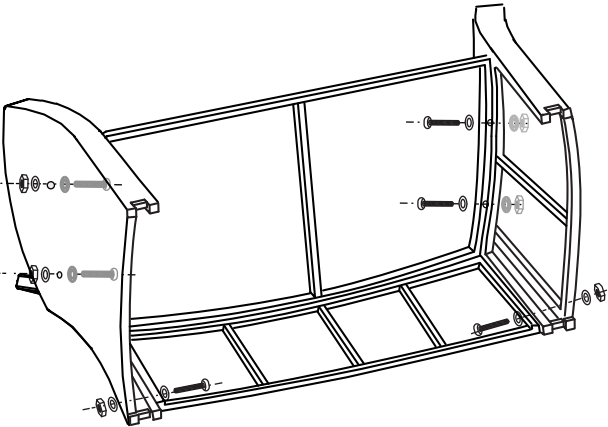
- Attach 2 side panels to loveseat back by partially tightening 2 Bolts (C) and 2 Washers (D) as shown, with Hex Wrench (G) provided.
- Right Arms are packed with Yellow tape.

2



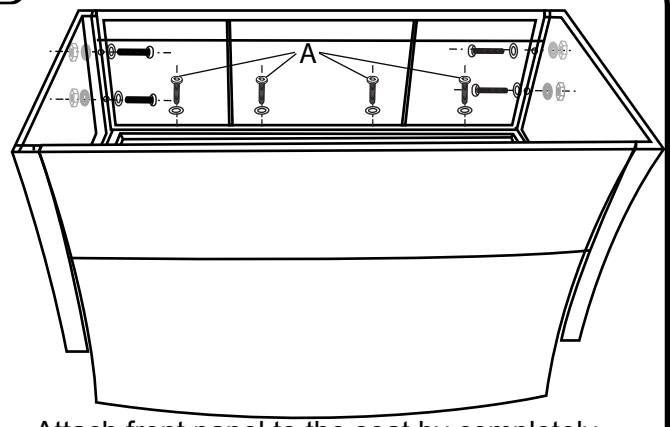
- Attach seat panel to loveseat back by completely tightening 3 Bolts (A) and 3 Washers (D) as shown, with Hex Wrench (G) provided.

3



- Partially tighten 6 Bolts (B) and 6 Washers (D) from inside of the chair as shown.
- Install Washers (D) and Nuts (E) from outside of the chair with Open End Wrench (F) provided.

4



- Attach front panel to the seat by completely tightening 4 Bolts (A) and 4 Washers (D) from inside of the loveseat.
- Attach front panel to arm panels by completely tightening 4 Bolts (B) and 4 Washers (D) from inside of the loveseat. Install Nuts (E) and Washers (D) from outside of loveseat.

5

Tighten all the Bolts and Nuts completely. Your loveseat is now ready to use.