

4-Piece Seating Set Coffee Table Assembly Instructions

! WARNING: ADULT ASSEMBLY REQUIRED. CONTAINS SMALL PARTS, SHARP POINTS AND EDGES. DO NOT CLIMB, LEAN, SIT, STAND OR PULL ON UNIT FOR SUPPORT.

Hardware Included



A. BOLT (8)
M6 X 20MM



B. WASHER (8)



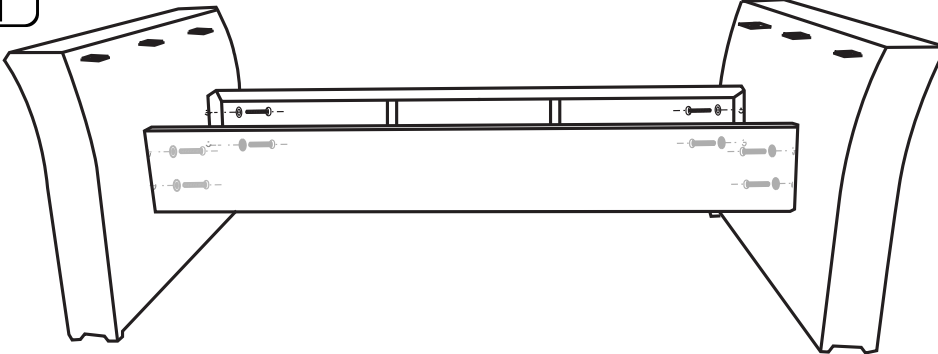
C. SUCTION CUP (6)



D. HEX WRENCH (1)

IMPORTANT NOTE: During assembly, place table on carpet or padded surface to protect the finish.

1



- Attach all four panels by tightening Bolts (A) and Washers (B) as shown, with Hex Wrench (D) provided.

IMPORTANT:

Periodically check all connections to make sure they are tight and secure. Retain these instructions for future reference.

CARE INSTRUCTIONS

Wicker Cleaning/Care:

Remove cushions and stack them on a clean and dry surface. Use a mild soap and water to clean. Apply this solution directly to heavily soiled areas. Wipe the entire furniture surface with a damp rag or sponge. Rinse thoroughly with clean water. Dry thoroughly before installing cushions.

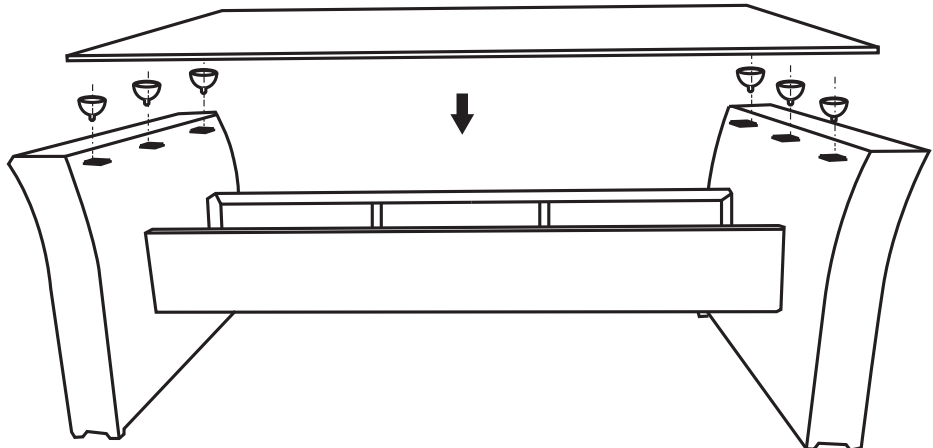
Fabric Cleaning/Care:

See attached Sunbrella® care instructions.

For customer service inquiries,
or to see our full range of related products, visit us at:

www.cri2k.com WEB
info@cri2k.com EMAIL

2



- Insert Suction Cups (C) into the holes on arm panels.
- Place glass top on Suction Cups (C). Your table is now ready to use.

Thank you for your purchase.

If you experience difficulties with this product,
do not return to the place of purchase.

Please contact CRI2000, L.P., and we will replace defective
or missing parts free of charge (Continental US only).