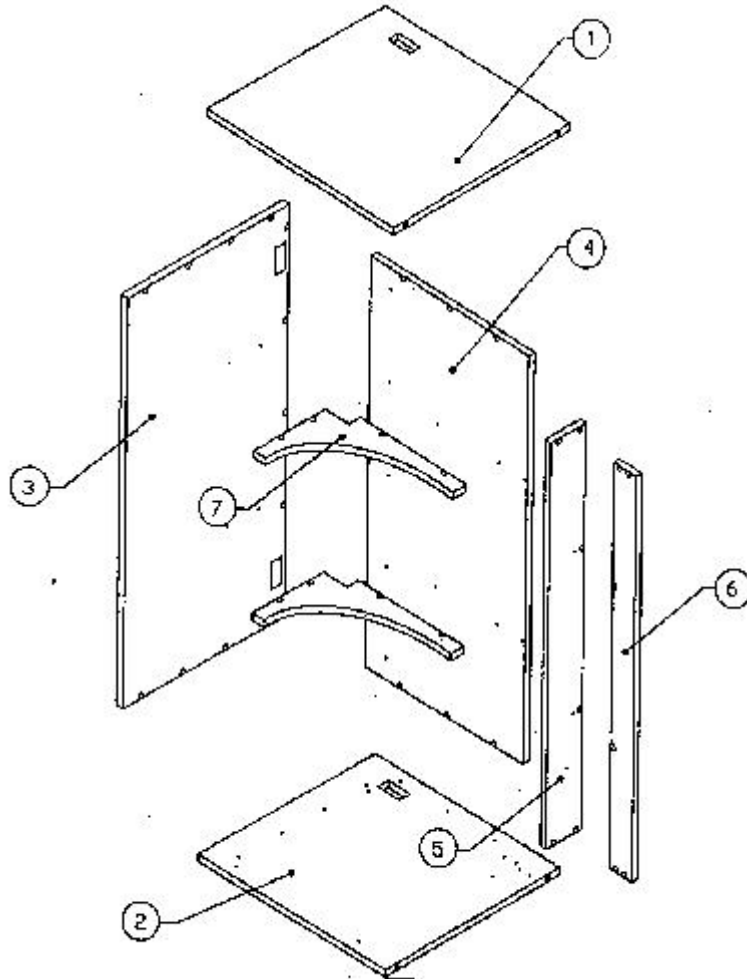


ASSEMBLY INSTRUCTIONS: 39" HIGH DESK SHELL WITH TRANSACTION SHELF (39"H TDS)



HARDWARE		
QUANTITY	PART NUMBER	DESCRIPTION
4	1010562	1/4-20 BASE LEVELER
42	1010568	RAFIX BOLT
4	1010578	MOD-EEZ NON LOCKING CLIP
4	1010579	MOD-EEZ SHOULDER SCREW
4	1010591	M4 5 X 35MM SLEEVE NUT
4	1010592	M4 X 25MM SCREW

USING THE TWIST LOCK FASTENER

Your unit has been designed to assemble quickly using twist lock fasteners. Secure each fastener as follows:

1. Slide twist lock fastener over twist lock locating screw.
2. Using a Phillips head screw driver, turn the twist lock fastener clockwise approximately one quarter turn to securely engage and lock the device.

NOTE: Your Phillips head screw driver should be approximately at a 25° angle from the surface you are connecting to for ease of assembly.

3. Test to see if the connection is secure by trying to separate the parts.
4. Proceed to next twist lock and repeat.

INSTRUCTIONS

1. Install ¼-20 base levelers into bottom of end panels.
2. Using two people, have one person hold the left upright. Take the back panel and attach it by sliding the two mod-eez non locking clips located on the side edges of the back panel over the mod-eez shoulder screws located on the rear edge of the left. Push down firmly on back to ensure they are fastened.
3. Repeat procedure for right.
4. Install top and lock into place.
5. Install shelf and lock into place.

NOTE: You may want to lay desk on its back for better access, but it is not a necessity.

6. Install base and lock into place.
7. On 60" and 72" desk, install gussets.
8. Slide transaction shelf onto rafx bolts and lock into place.
9. Turn desk upright.

CONNECTING CIRCULATION DESK PIECES

1. Level all pieces to be connected.
2. Using a 13/62" drill bit, drill through the four predrilled holes that were not used for assembly.
3. Install M4 5 X 35mm sleeve nut and M4 25mm screw and tighten.