

NEW

Ultra Slim

Articulating

PRO MOUNTS



Ensamblado, listo para instalar • Fully Assembled Ready to Install • Assemblé, prêt à installer



SAL

LCD
LED
Plasma

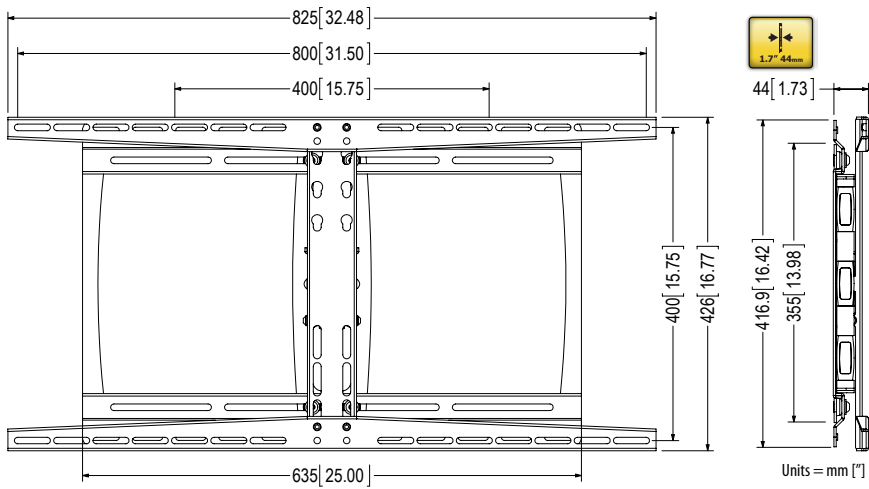
120 lbs
54 kg

15°

18.9"

1.7"





Compatible
Compatible
Compatible



Supports
Soporta
Poid Maximal



Tilts
Inclinable
Inclinaison



Extends
Extiende
Extensible



Distance from Wall
Distancia al Muro
Distance au Mur



VESA Compliant
Compatible con VESA
Compatible VESA



Hardware Included
Elementos de Instalación Incluidos
Fournitures diverses et notice de montage



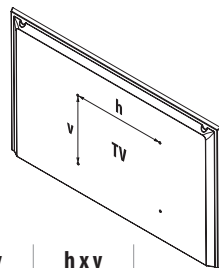
Color
Color
Couleur

Included Mounting Hardware

- 1. Mount (x1)
- 2. M5 x 10, 15 & 25 mm bolts (x4)
- 3. M6 x 10, 15 & 25 mm bolts (x4)
- 4. M8 x 10, 15 & 25 mm bolts (x4)
- 5. Rectangular washers (x4)
- 6. Concrete anchors (x4)
- 7. Round washers (x4)
- 8. 5/16" lag bolts (x4)
- 9. Allen key (x2)
- 10. Wrench (x1)
- 11. Mounting template (x1)

You Will Need

- A. Bubble level
- B. Stud finder
- C. Marker
- D. Drill
- E. 3/16" (wood) or 1/2" (concrete) drill bit
- F. Hammer
- G. Wrench

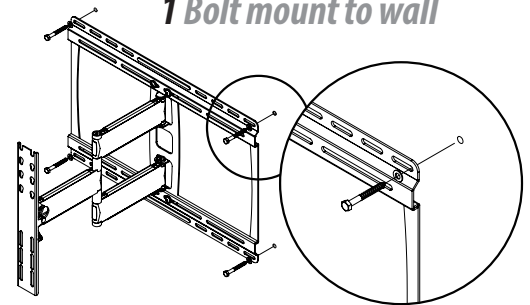


h x v	h x v	h x v	h x v	h x v	h x v	
200 x 200	300 x 300	400 x 300	400 x 400	600 x 400	800 x 400	mm
7.9 x 7.9	11.8 x 11.8	15.7 x 11.8	15.7 x 15.7	23.6 x 15.7	31.5 x 15.7	inches

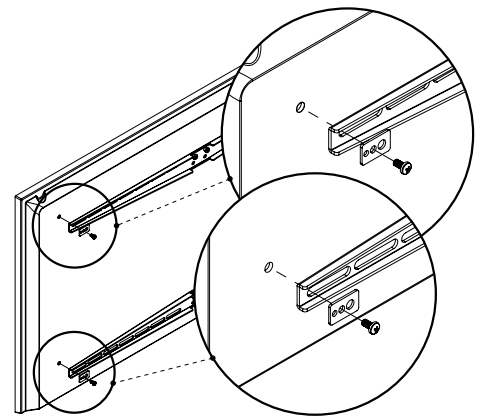


To Install:
(details in manual)

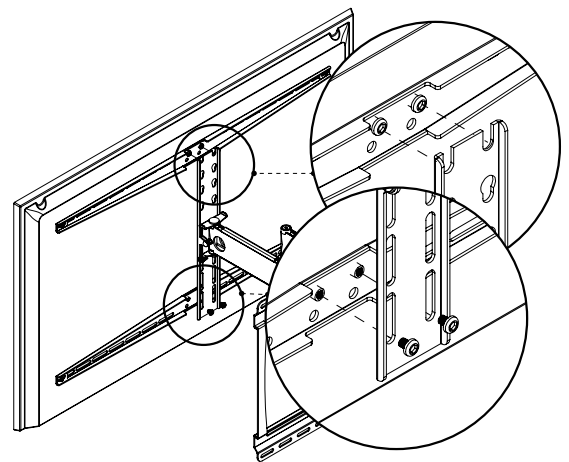
1 Bolt mount to wall



2 Bolt TV bracket to TV



3 Hang TV on arm



Package Weight:

20.7 lbs
9.4 kg

Package Dimensions WxHxD:

34.25" x 18.6" x 3"
870 mm x 473 mm x 76 mm

Mounting:

We recommend that this product be installed by a professional A/V installer

Architects and Consultants:

Please contact ProMounts customer service for necessary drawings and files. For complete high resolution images, technical specifications and drawings please visit www.promounts.com and click on Download Center.

5741 Buckingham Parkway, Unit C,
Culver City, CA 90230, USA
Phone: 866 668 6872 or 310 645 6400
Fax: 310 645 0189

info@promounts.com
www.promounts.com