

# 36" FIRE RING

## OWNER'S MANUAL

### MODEL: FRSTAR-369

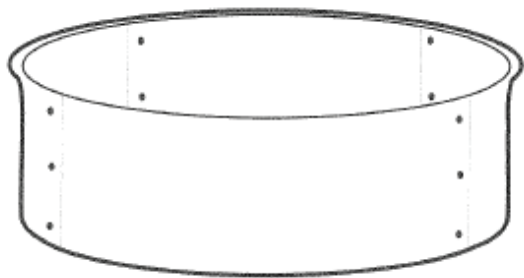
#### IMPORTANT SAFETY INSTRUCTIONS

Please read and follow all instructions before assembling or using this product.

**NOTE:** Your fire tub is made of solid copper that is hammered to achieve an authentic rustic appearance. This "one of a kind" look enhances the beauty of the product and is not a defect.

**NOTE:** Finish will not look the same after burning.

**NOTE:** Add at least 1 inch of sand to the bottom of the fire tub. This will distribute the heat more evenly.



- NOT FOR USE BY CHILDREN.
- The FIRE RING IS HOT! DO NOT TOUCH or allow children near FIRE TUB while it is in use.
- DO NOT use on wood deck or any other flammable surface.
- DO NOT use in the vicinity of flammable objects or indoors.
- DO NOT USE on or near combustibles and/or flammable materials, including houses, buildings, trees and vehicles.
- NEVER LEAVE THIS PRODUCT UNATTENDED WHILE IN USE!
- Have fire-extinguishing materials nearby when using this product.
- Always wear protective gloves when handling this product to avoid injury from sharp edges and hot surfaces.
- Always use this product in well ventilated and open areas to avoid carbon monoxide build-up that could result in serious injury or death.

• Approved items for burning: wood, self-starting fire logs, ~~logs & charcoal~~

### **WARNING! CARBON MONOXIDE HAZARD**

Burning charcoal inside can kill you. It gives off carbon monoxide, which has no odor. NEVER burn wood or charcoal inside homes, vehicles, or tents.

## **FOR OUTDOOR USE ONLY! FOR OUTDOOR USE ONLY!**



Read and follow all Safety Statements, Warnings, Assembly Instructions and Use & Care Directions before attempting to assemble unit.



DO NOT use this unit on a wood deck or other combustible surfaces such as dry grass, leaves, mulch, etc. DO NOT use this near heat sensitive or combustible structures such as vinyl or wood siding.



DO NOT allow small children near flame. Hot embers can fly out of the fire tub in windy conditions. Adequate fire extinguishing material should be readily available.



CAUTION! Some parts may contain sharp edges. Wear protective gloves as necessary.

# FRSTAR-369 36" FIRE RING

## Parts Included:

- A. Die-cut Metal Panels (4)
- B. Bolts (12)
- C. Nuts (12)

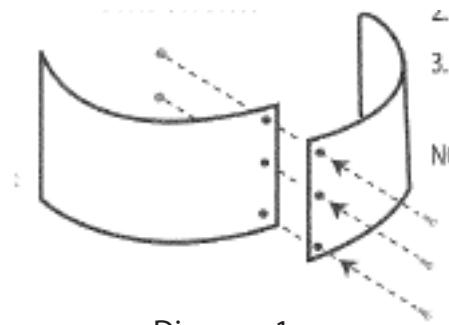
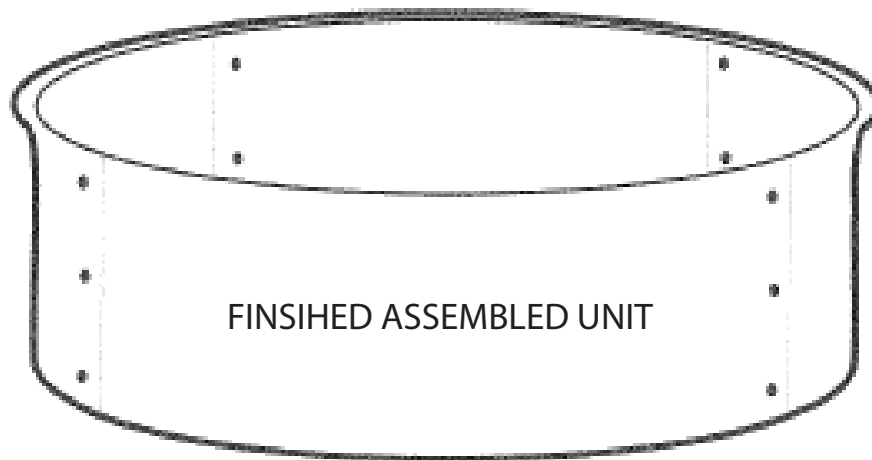


Diagram 1



## Assembly Instruction

1. Carefully remove the 4 quarter ring panels.
2. Set the pieces together to form a circle.
3. Attach each panel with 3 bolts and nuts to secure (see Diagram 1).

NOTE: THIS FIRE RING has been powder-coated and may discolor slightly during use due to high temperatures.