



Outdoor Bravo Mesh 1/12 CircleBench Owner's Manual Model: WBN-750-1

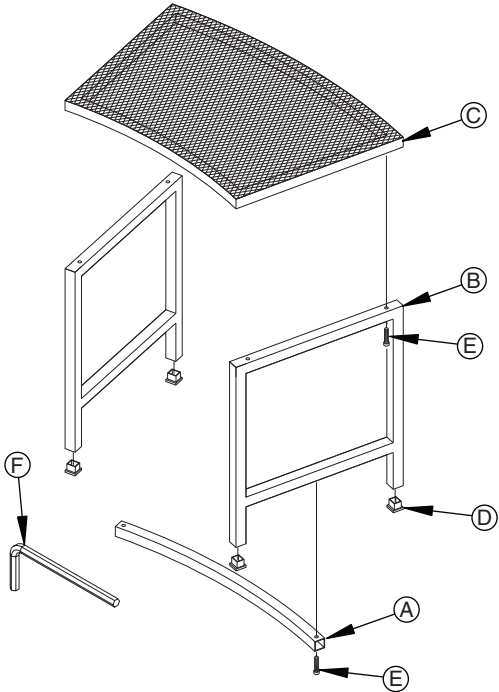
***Parts Enclosed**

- A. Center Foot Rails (1)
- B Legs (2)
- C. Plastic Feet (4)
- D. Seat Tops (1)
- E. M6 x 1-1/8 Screw (6)
- F. Allen Key (1)

* Please check enclosed parts shipped with the Fire Pit. If any parts are missing, do not return the item to the retailer. Please contact us first for replacement parts. Please e-mail (for quickest response) consumercare@woodstream.com or call 1-800-323-5800

Bench Assembly Instructions

1. Attach CENTER FOOT RAIL (A) to LEGS (B) using SCREWS (E)
2. Install PLASTIC FEET (D) into LEGS (B)
3. Attach LEGS (B) to SEAT (C) using SCREWS (E)



Copyright © 2011, CobraCo® Mfg., Inc.
Woodstream® Corporation
69 North Locust Street • Lititz PA 17543-1714
Phone: 1-800-323-5800
Website: www.avantgardendecor.com
E-mail: consumercare@woodstream.com