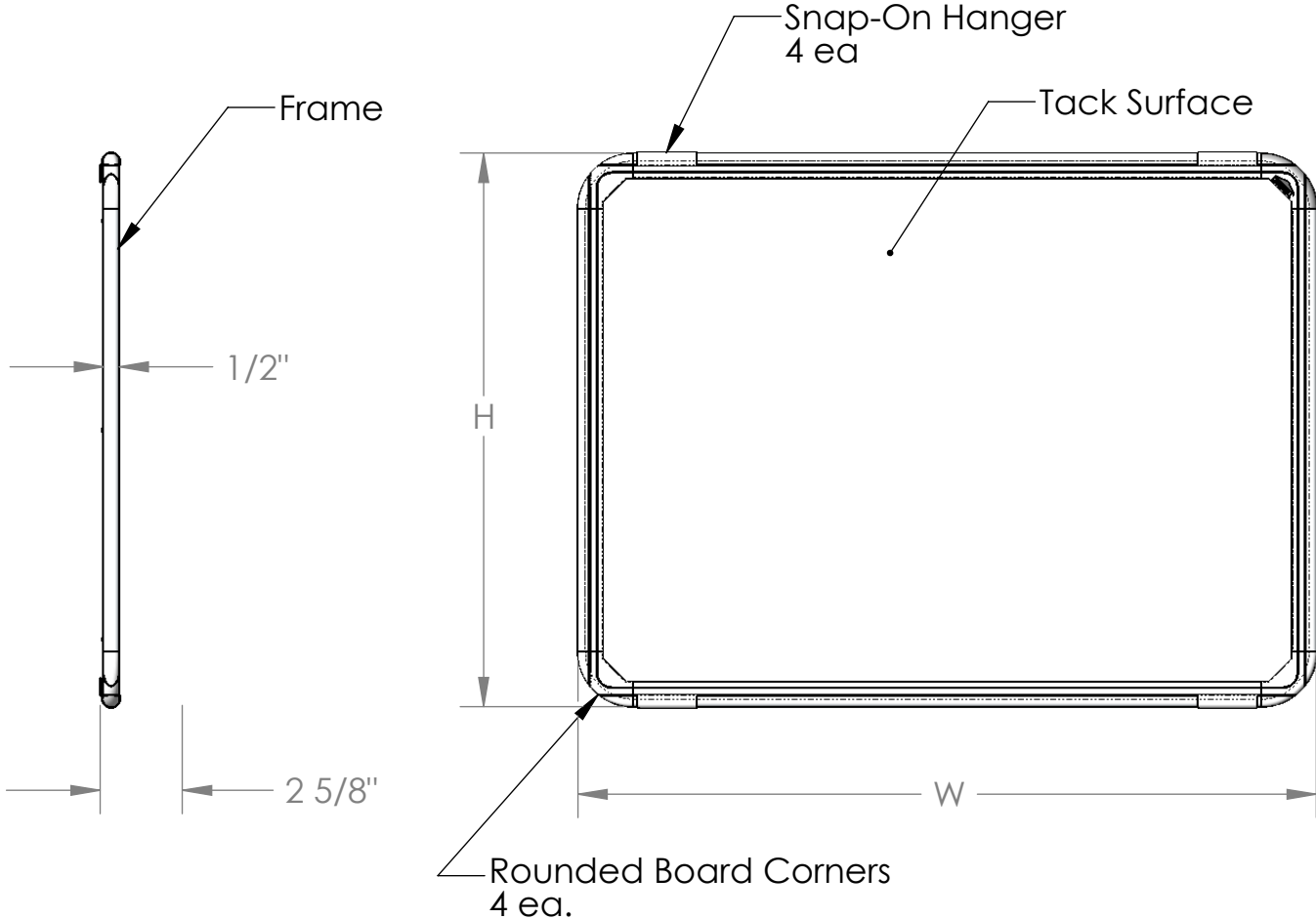


CTSK Series

CINTRA TackBoards



Materials:

- Framing and hangers are silver anodized aluminum extrusion
- Board corners are grey molded plastic
- Tack surfaces natural cork

Features:

- Mounting fasteners (not included) are concealed after installation
- Available in five sizes*:

- 18" H x 24" W
- 2' H x 3' W
- 3' H x 4' W
- 4' H x 6' W
- 4' H x 8' W

* sizes are approximate