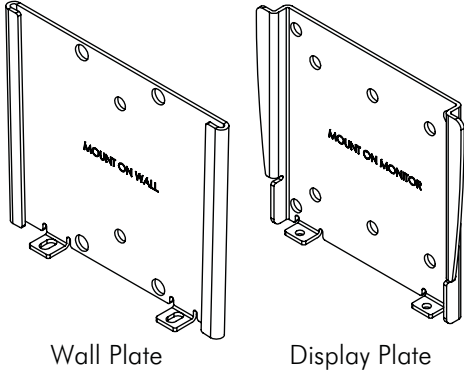


Installation Instructions

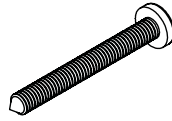
telehook

Flat Screen Wall Mount | Fixed

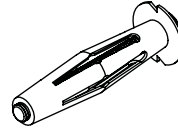
Components Checklist



Hardware



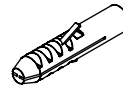
Self-Tapping Screw (x2)



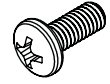
Dry Wall Anchor (x4)



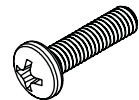
M5x10mm Security Screw (x2)



Plastic Anchor (x2)



M4x10mm (x4)



M4x16mm (x4)

Display Mounting Screws

Tools Required:

- Power Drill
- Phillips Head screwdriver
- 8mm ($\frac{5}{16}$ " masonry drill bit
- 10mm ($\frac{3}{8}$ " drill bit
- Spirit Level
- 4mm ($\frac{3}{16}$ " drill bit

IMPORTANT INFORMATION

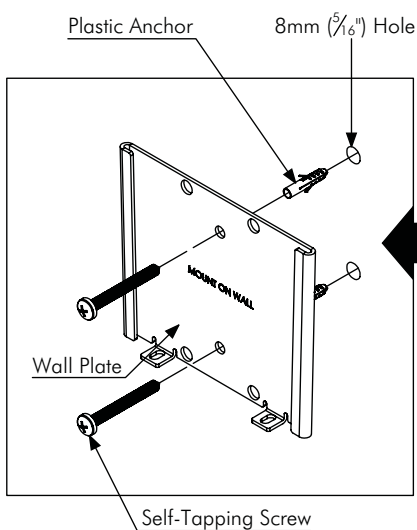
- ! **IMPORTANT - Install Telehook 1026 Wall Mount as per Installation Instructions.**
- ! This product supports a maximum load of 30kg (66lbs).
- ! This product only supports VESA compliant displays with 75mmx75mm (3"x3") and 100mmx100mm (4"x4") mounting hole patterns.
- ! The manufacturer does not accept responsibility for incorrect installation.

Step 1. Check Components

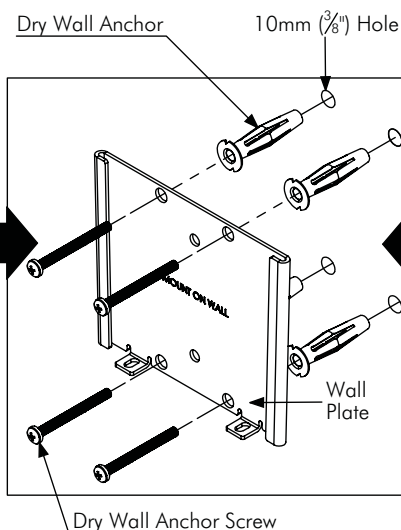
Check you have received all parts against the component checklist and Hardware above.

Step 2. Mounting the Wall Plate

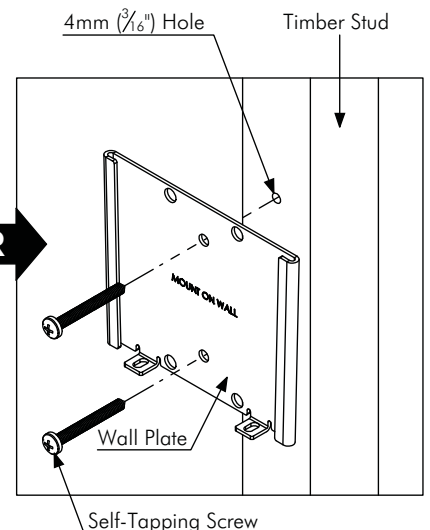
Masonry Wall



Dry Wall

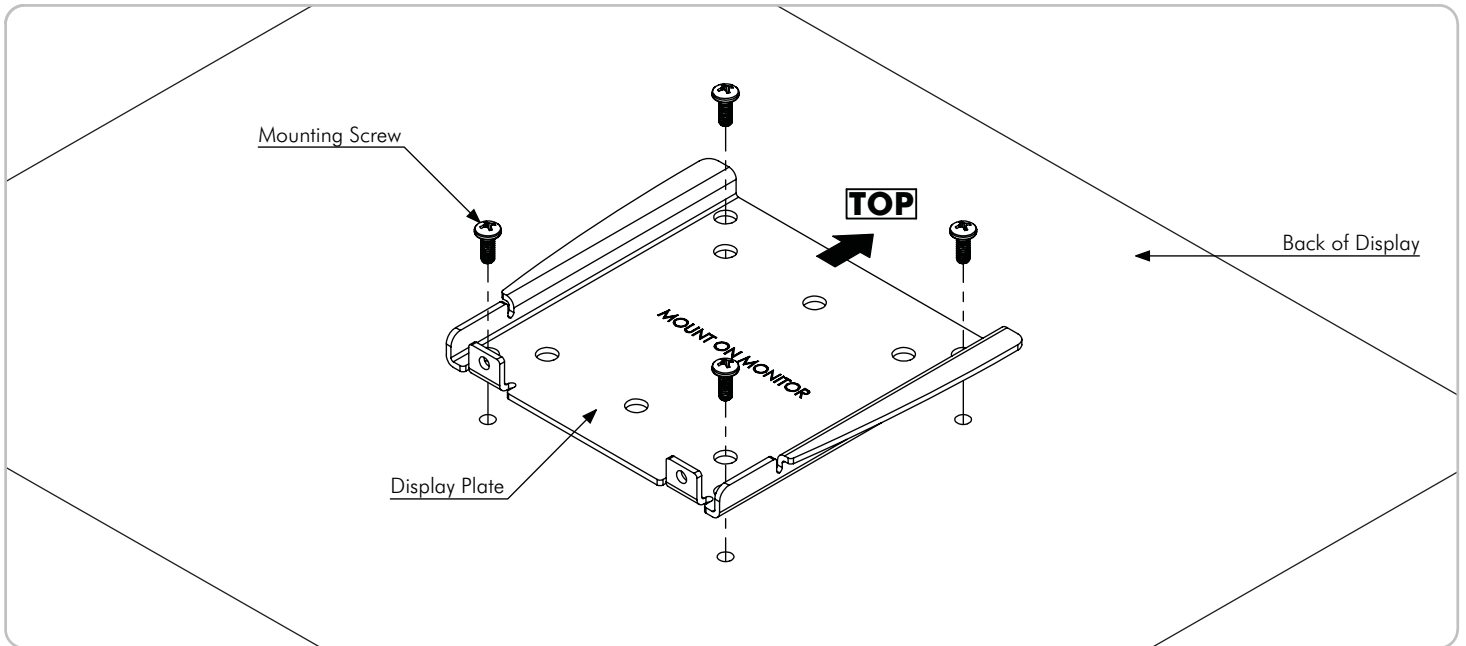


Timber Stud



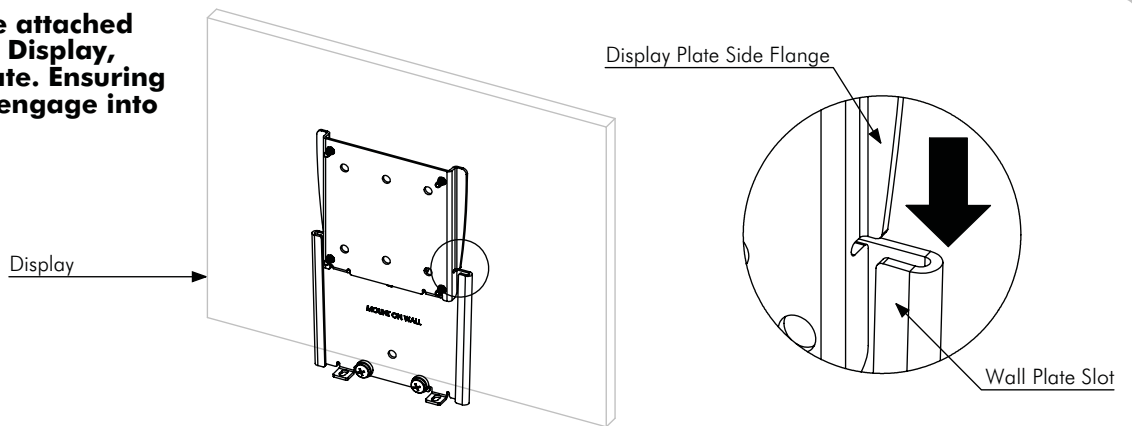
Tip: Use a spirit level to ensure wall plate is horizontal

Step 3. Mounting the Display Plate



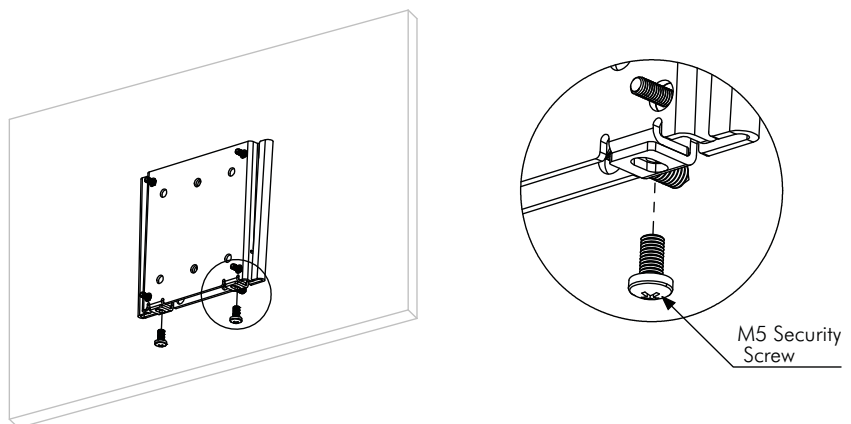
Step 4. Attaching Display to Wall Plate

With the Display Plate attached to the Display, lift the Display, slide into the Wall plate. Ensuring that the side flanges engage into wall plate slots.



Step 5. Security Option

To properly secure the display to the wall it is recommended to use the two M5 security screws to securely attach the two plates together.



Installation Complete

