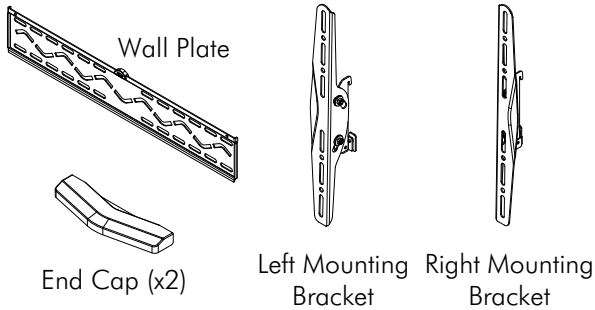


Installation Instructions

telehook

Flat screen wall mount | tilt

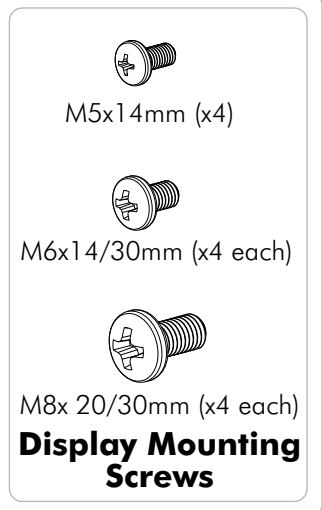
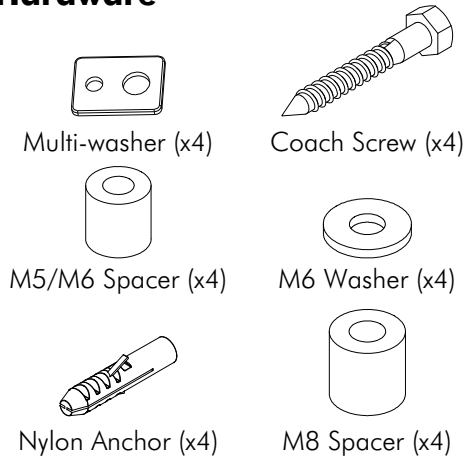
Component Checklist



Tools Required:

- Power Drill
- 5mm (0.2") drill bit
- Phillips Head screwdriver
- 10mm (0.39") masonry drill bit
- 10mm (0.39") Socket Wrench or Shifter

Hardware



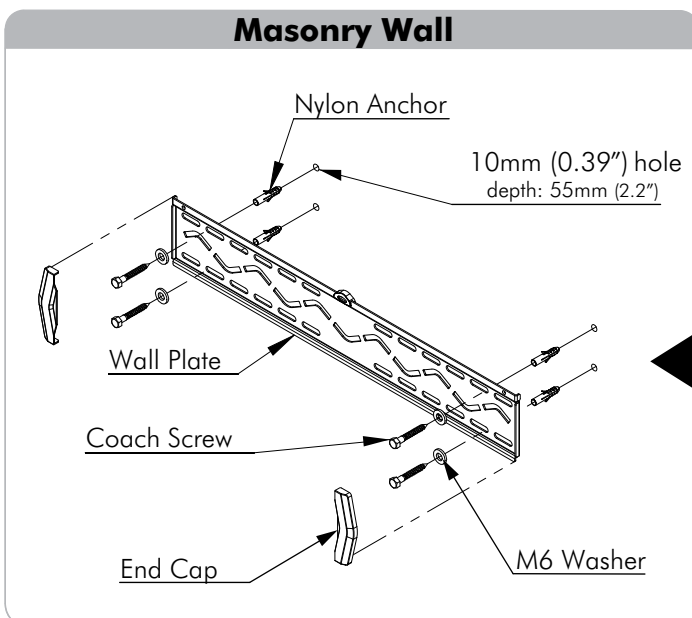
IMPORTANT INFORMATION

- ! **IMPORTANT - Install Telehook 3060 Wall Mount as per Installation Instructions.**
- ! This product supports a maximum load of 50kg (110lbs).
- ! This product only supports displays with mounting hole configurations from 100mm wide x 100mm high up to 600mm wide x 400mm high.
- ! The manufacturer does not accept responsibility for incorrect installation.
- ! Before installing this Telehook product, please check the display ventilation requirements with your LED/LCD manufacturer.

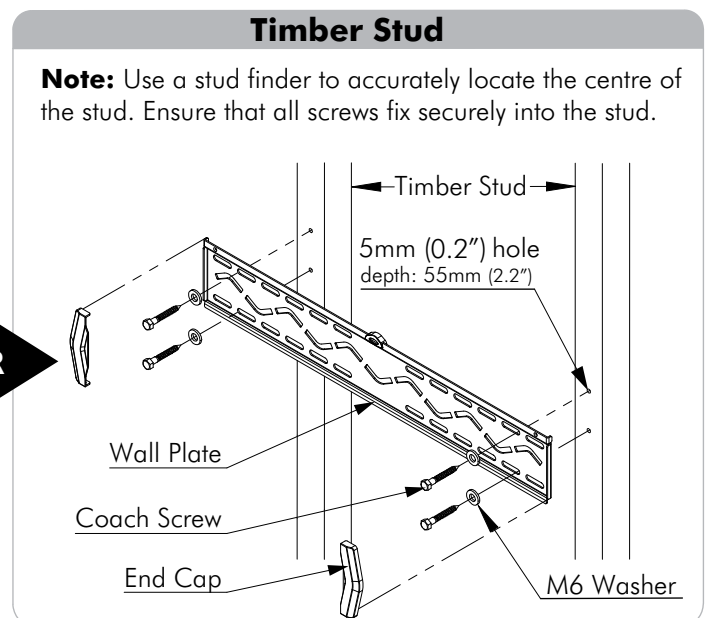
Step 1. Check Components

Check you have received all parts against the Component Checklist and Hardware above.

Step 2. Mounting the Wall Plate

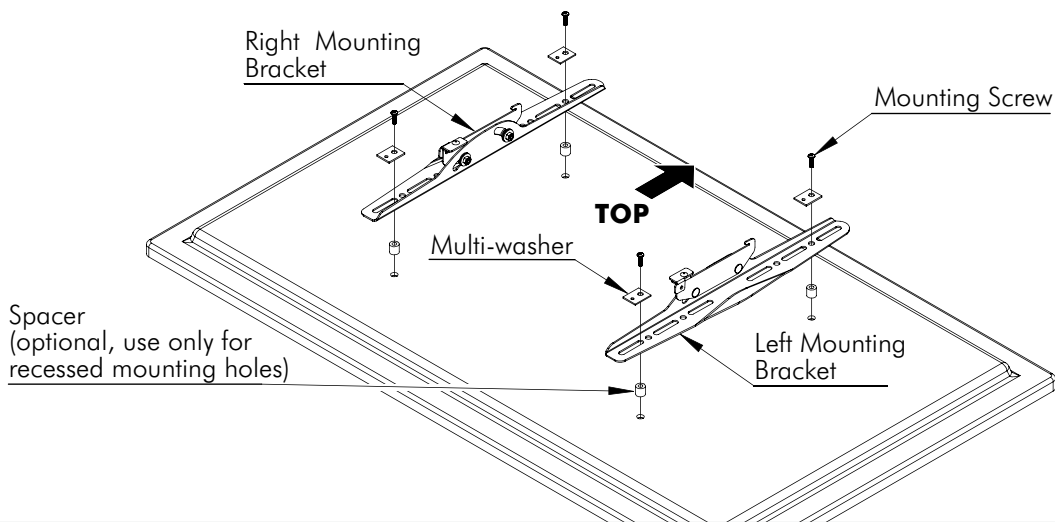


OR



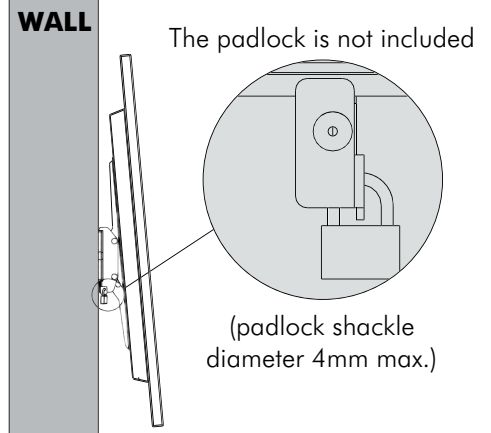
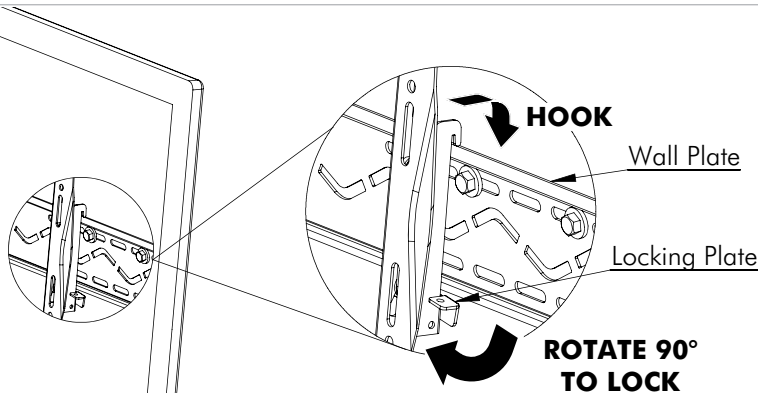
Tip: Use the built-in spirit level to ensure wall plate is horizontal

Step 3. Attaching Brackets to Display



Step 4. Attaching/Detaching Display to Wall Plate

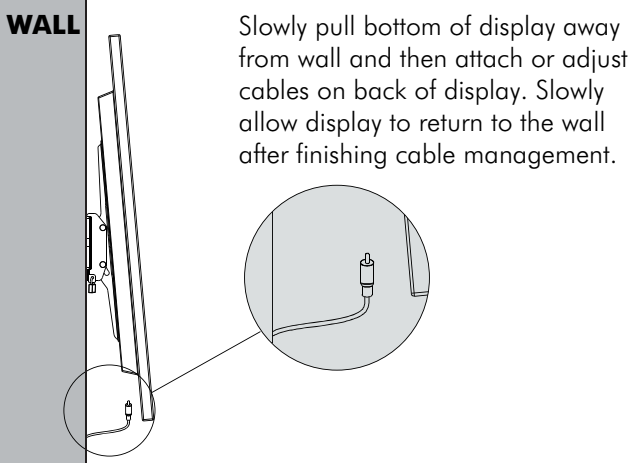
(2 people required)



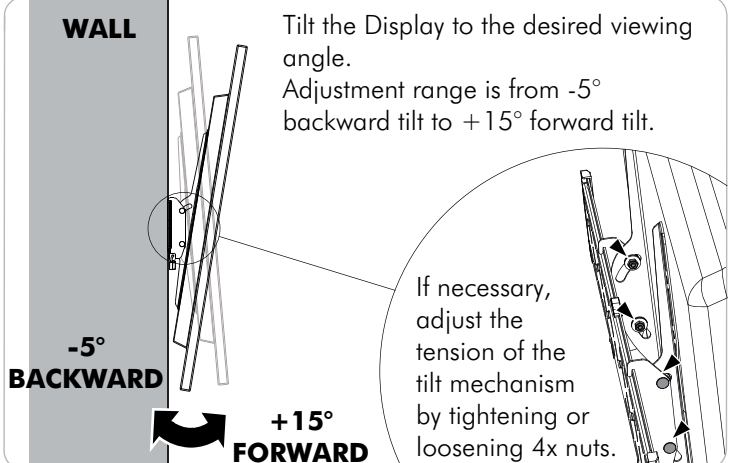
Detaching Display from Wall Plate:
Open the padlock. Rotate the Locking Plate 90° to unhook. Lift the Display away from the Wall Plate.

- A.** Hook the TV mounted display brackets over the top of the wall plate.
 - B.** Turn the locking plate downward to 90° and lock it with padlock.
- Note:** Make sure the TV is correctly hooked before releasing the Display.

Step 5. Cable Management



Step 6. Pitching Angle Adjustment



Installation Complete

