

Installation Instructions

telehookTM

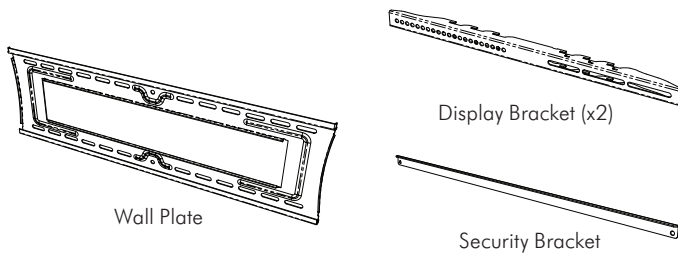
FLAT SCREEN WALL MOUNT | FIXED

TH-3070-UF

Important Notes

- Supports a maximum load of 91kgs (200lbs).
- Suits displays with mounting hole patterns from 180mm to 810mm wide (7"-31³/₄") by 125mm to 500mm high (5"-19¹/₂").
- The manufacturer does not accept responsibility for incorrect installation.

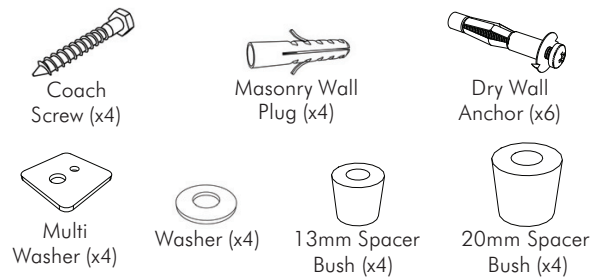
Component Checklist



TOOLS REQUIRED:

- Power Drill
- 12mm (1/2"), 10mm (3/8") or 7mm (1/4") Drill Bit
- Phillips Head Screw Driver
- Spirit Level
- 17mm (11/16") Socket Wrench or Shifter

Bits Bag



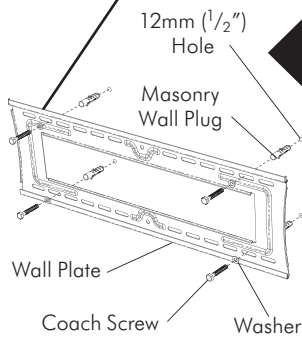
Mounting Screws



A Mounting the Wall Plate

Masonry Wall

Note: Ensure the Wall Plate is mounted with the folded tabs pointing upwards.



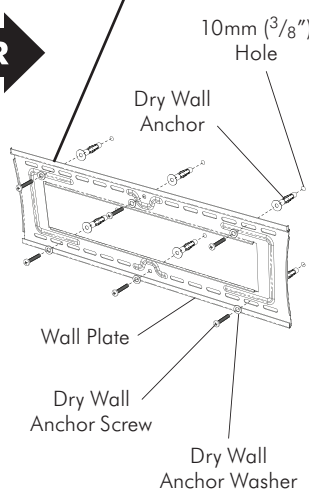
TIP: Use a spirit level to ensure the wall plate is horizontal

It is recommended when mounting directly into masonry wall, that the mounting holes are positioned as far apart as possible.

OR

Dry Wall

Note: Ensure the Wall Plate is mounted with the folded tabs pointing upwards.



TIP: Use a spirit level to ensure the wall plate is horizontal

The dry wall anchors provided in the bit bag have been tested for this wall mount application and will each hold in excess of 30kg per anchor.

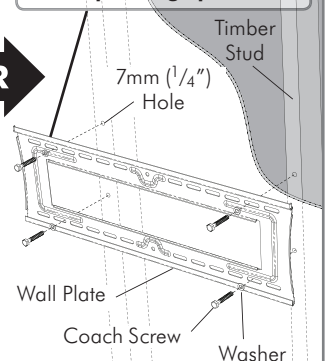
Before using the expanding anchors, please ensure that you:

- Check the plaster board wall (dry wall) is in good condition with no cracks, peeling paper or signs of water damage etc.
- Take care installing the anchors, that they are not over tightened or driven into the wall during installation.
- Minimum thickness of drywall should be no less than 12mm (1/2")
- Recommend to use all 6 anchors even with light monitor applications.
- Only use the anchors supplied in the kit.
- Make sure the 10mm (3/8") pre-drilled hole is as recommended and no smaller or larger.
- The anchors during expansion should not interfere with studs or nogginns (cross strengtheners).

OR

Timber Stud Wall

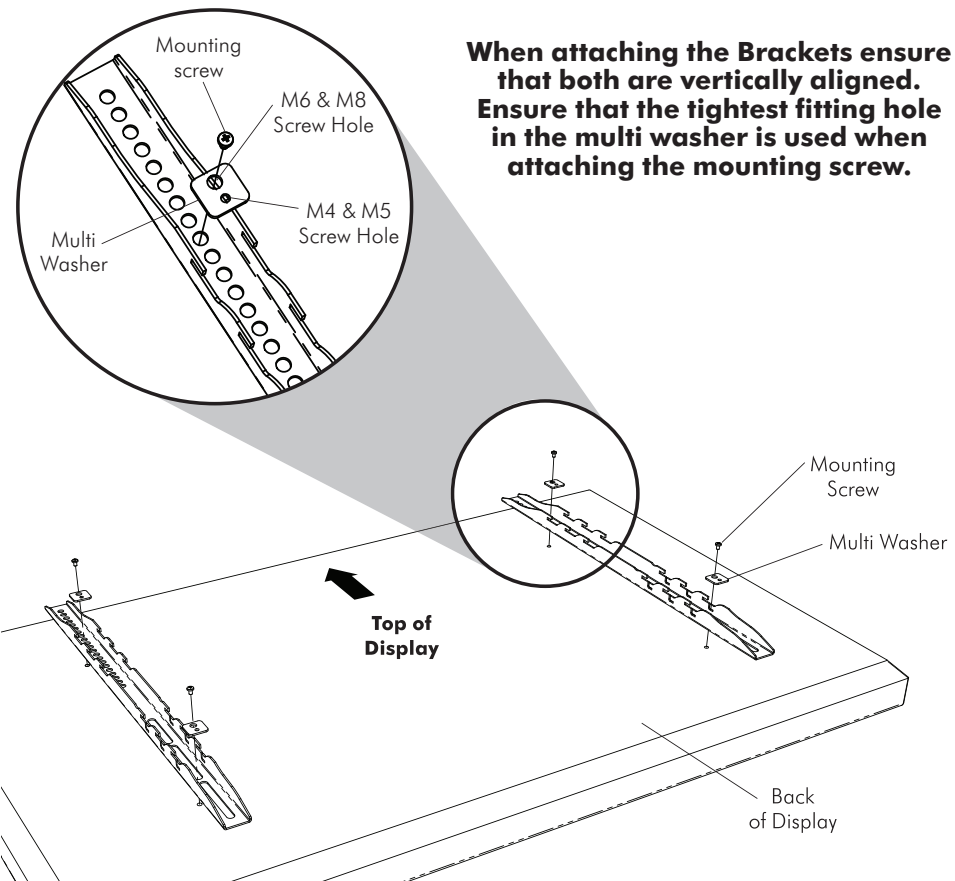
Note: Ensure the Wall Plate is mounted with the folded tabs pointing upwards.



TIP: Use a spirit level to ensure the wall plate is horizontal

Use a stud finder to precisely locate the timber stud and ensure that the mounting holes are located in the centre of the stud.

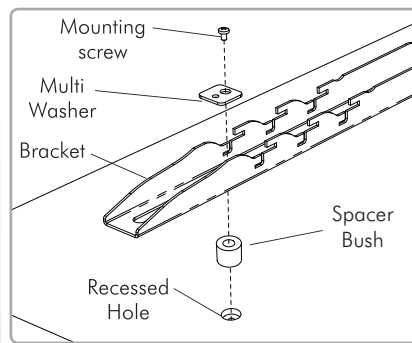
B Mounting the Display Brackets



Recessed Mounting Holes

If the mounting holes are recessed into the back of the display, use the appropriate Spacer Bushes provided to pack the recessed hole.

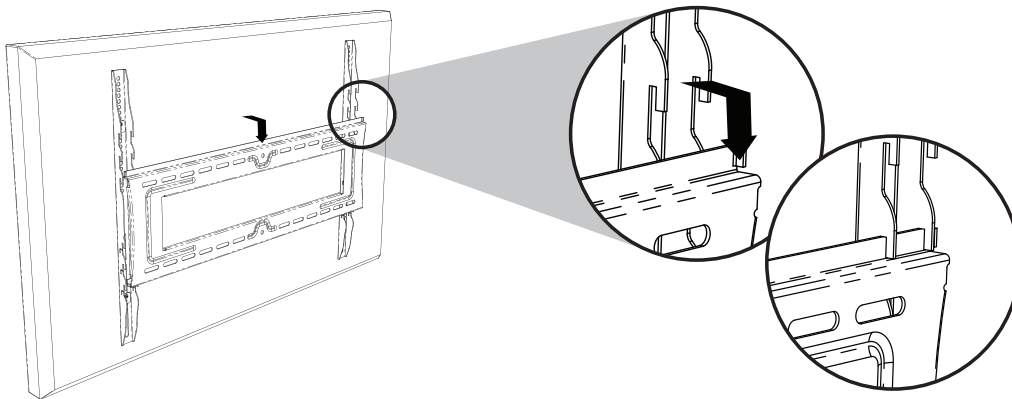
Please note the 13mm Spacer Bushes can only be used with M4, M5, and M6 Mounting screws. Ensure the brackets are securely fixed to the display.



C Attaching the display to the wall plate

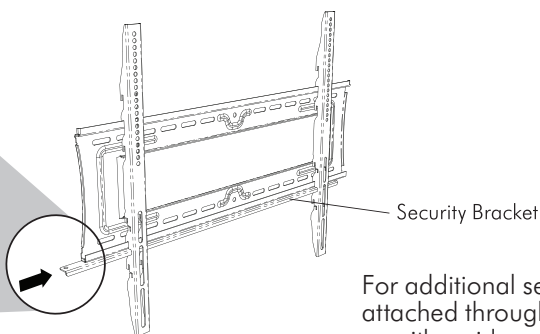
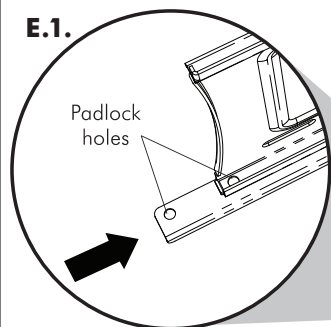
Note: This procedure will require two persons

With the Brackets attached to the display, lift the display and hook the brackets onto the Wall Plate as shown. There are three height positions to choose from in 50mm (2") increments.

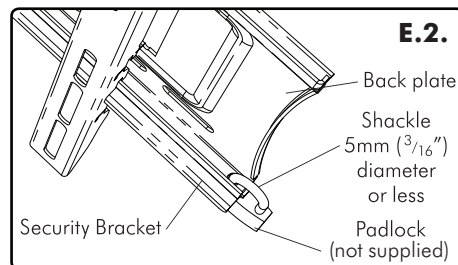


E Security Option

E.1.



E.2.



For additional security, it is suggested that a Padlock is attached through the Security Bracket and the Wall Plate on either side as shown. The Padlock (not supplied) should have a shackle diameter no larger than 5mm (3/16").

