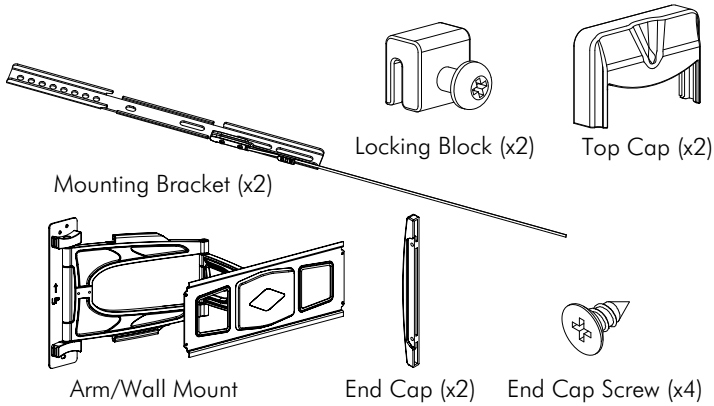


Installation Instructions

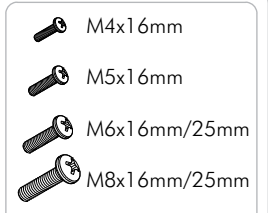
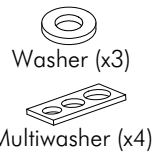
telehook

Small-Medium TV Articulated Arm

Component Checklist



Hardware



Tools Required:

- Power drill
- 4.5mm (0.18") drill bit
- 10.5mm (0.41") masonry drill bit
- Phillips head screw driver
- 10mm (0.39") socket wrench or shifter
- 13mm (0.5") socket wrench or shifter

IMPORTANT INFORMATION:

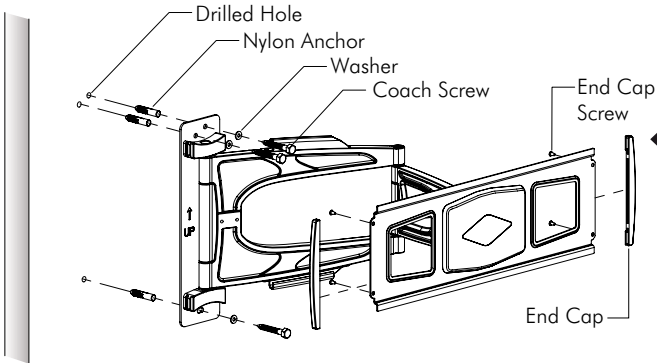
- ! **IMPORTANT - Install Telehook 2050 Small-Medium TV Articulated Arm per Installation Instructions.**
- ! This product supports a maximum load of 25kg (55lbs).
- ! This product supports VESA mounting hole configurations 200mm wide x100mm high to 400mm wide x 400mm high.
- ! The manufacturer accepts no responsibility for incorrect installation.

Step 1. Check Components

Check you have received all parts against the Component Checklist and Hardware above.

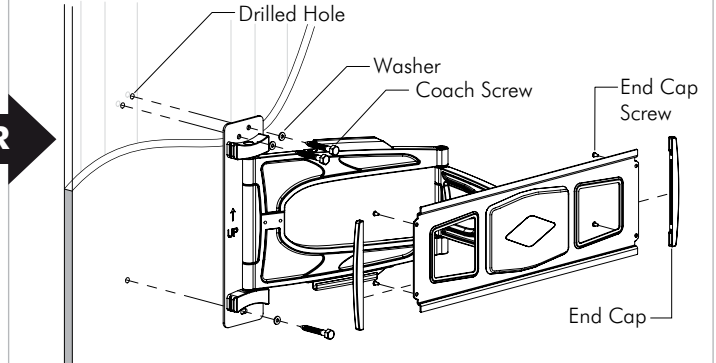
Step 2. Install Arm/Wall Mount to the Wall

Masonry Wall



- Drill three 10.5mm (0.41") diameter holes, 58mm (2.3") deep.
- Secure the mounting plate to the wall using the Coach Screws and Nylon Anchors supplied.

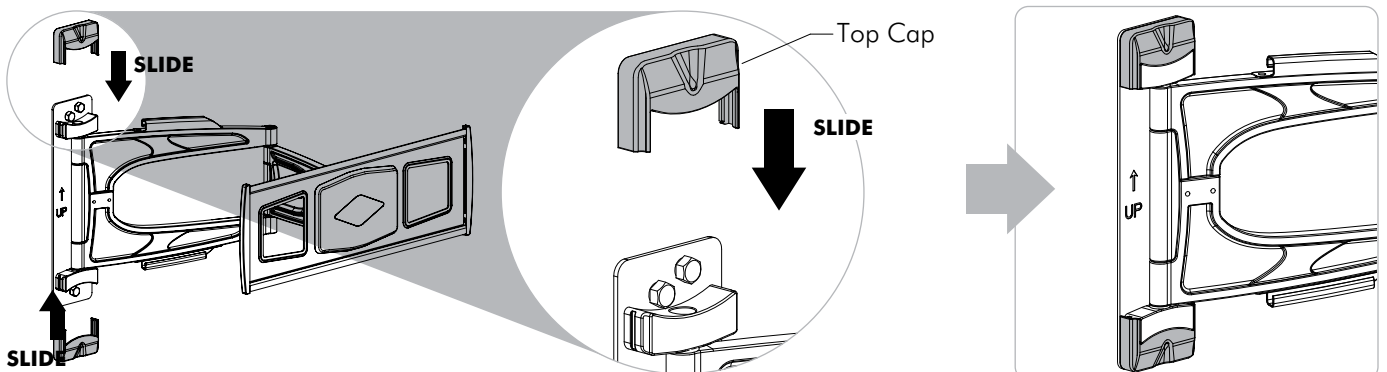
Timber Stud Wall



- Drill three 4.5mm (0.18") diameter holes, 58mm (2.3") deep.
- Secure the mounting plate to the wall using the Coach Screws supplied.

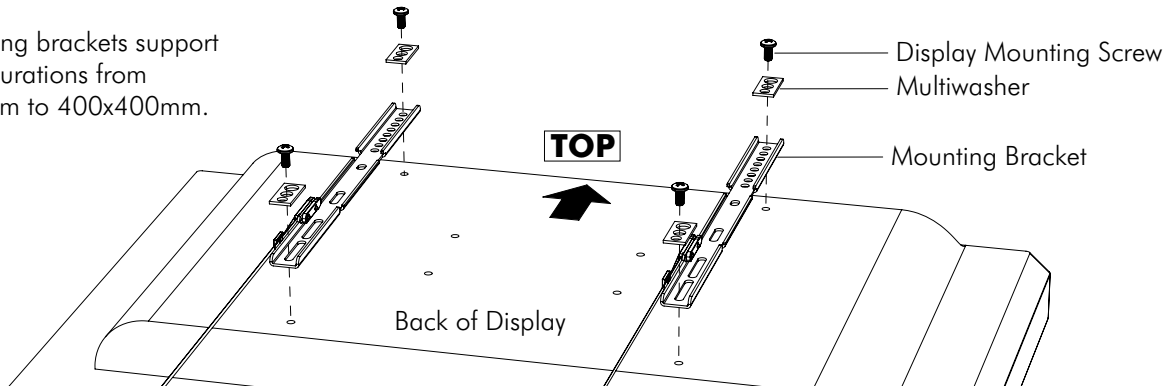
NOTE: Use a stud finder to accurately locate the centre of the stud. Ensure that all screws fix securely into stud.

Step 3. Attach Top Caps to the installed Arm/Wall Mount

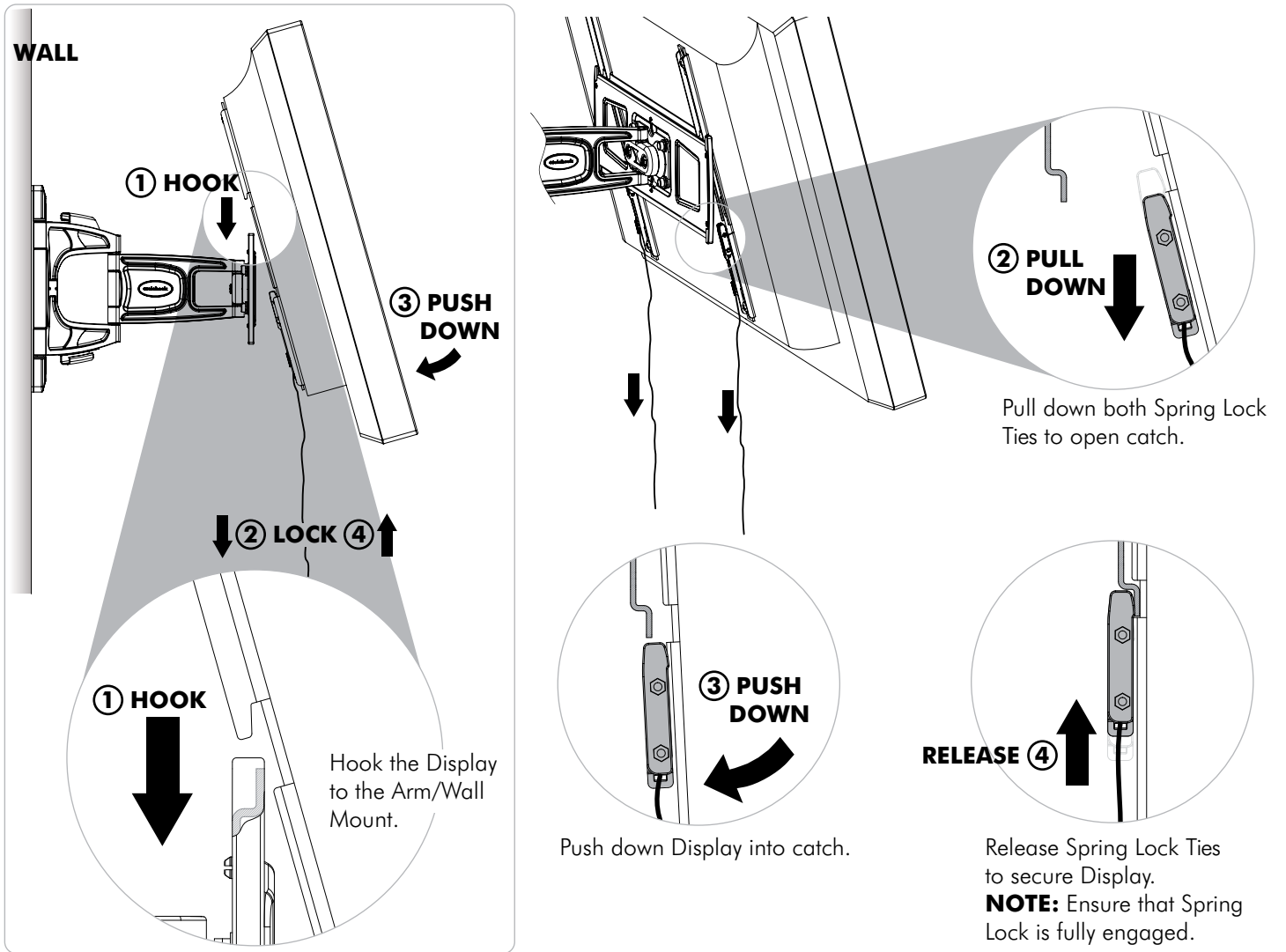


Step 4. Attaching Mounting Brackets to Display

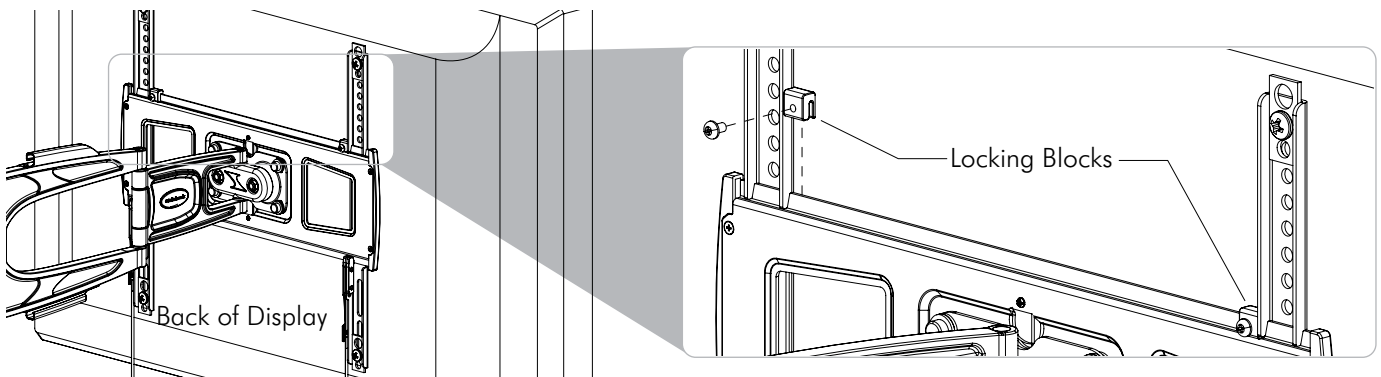
The mounting brackets support hole configurations from 200x100mm to 400x400mm.



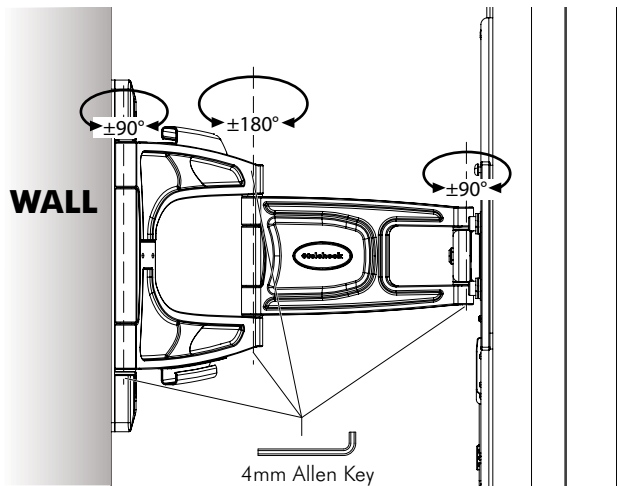
Step 5. Attaching/Detaching Display to the installed Arm (2 people required)



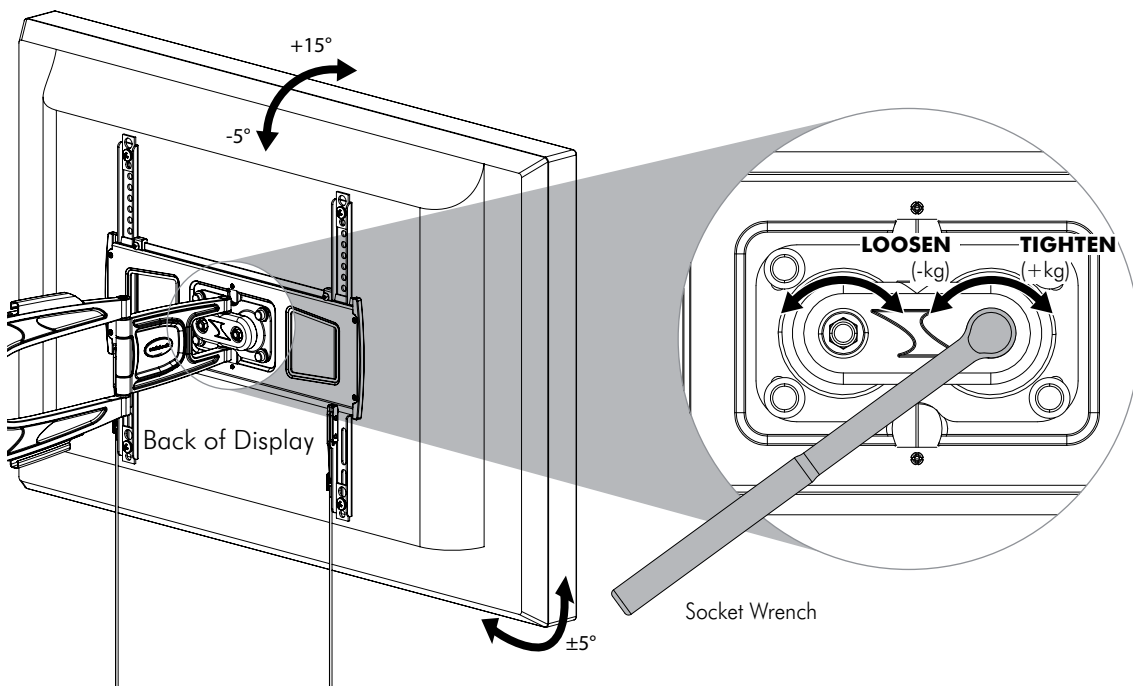
Step 6. Attach Locking Blocks to fully secure the Display



Step 7. Adjust Arm movement if necessary



Step 8. Adjust tilt and roll if necessary



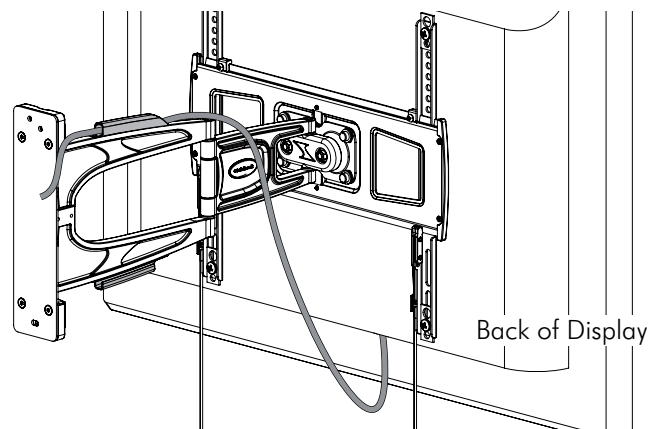
Position your display to the desired viewing angle, using the angular movement allowed by the double ball mount.

Depending on the weight of the Display, it may be necessary to make adjustments to the double ball mount. If the display does not hold its position, or is too resistant, adjust the tension plate located at the rear of the double ball mount.

To adjust the tension plate, apply half a turn at a time to each nut. **ENSURE NUTS ARE ADJUSTED EVENLY.**

CHECK THE DISPLAY, and then adjust again if necessary.

Step 9. Cable Management



Installation Complete

