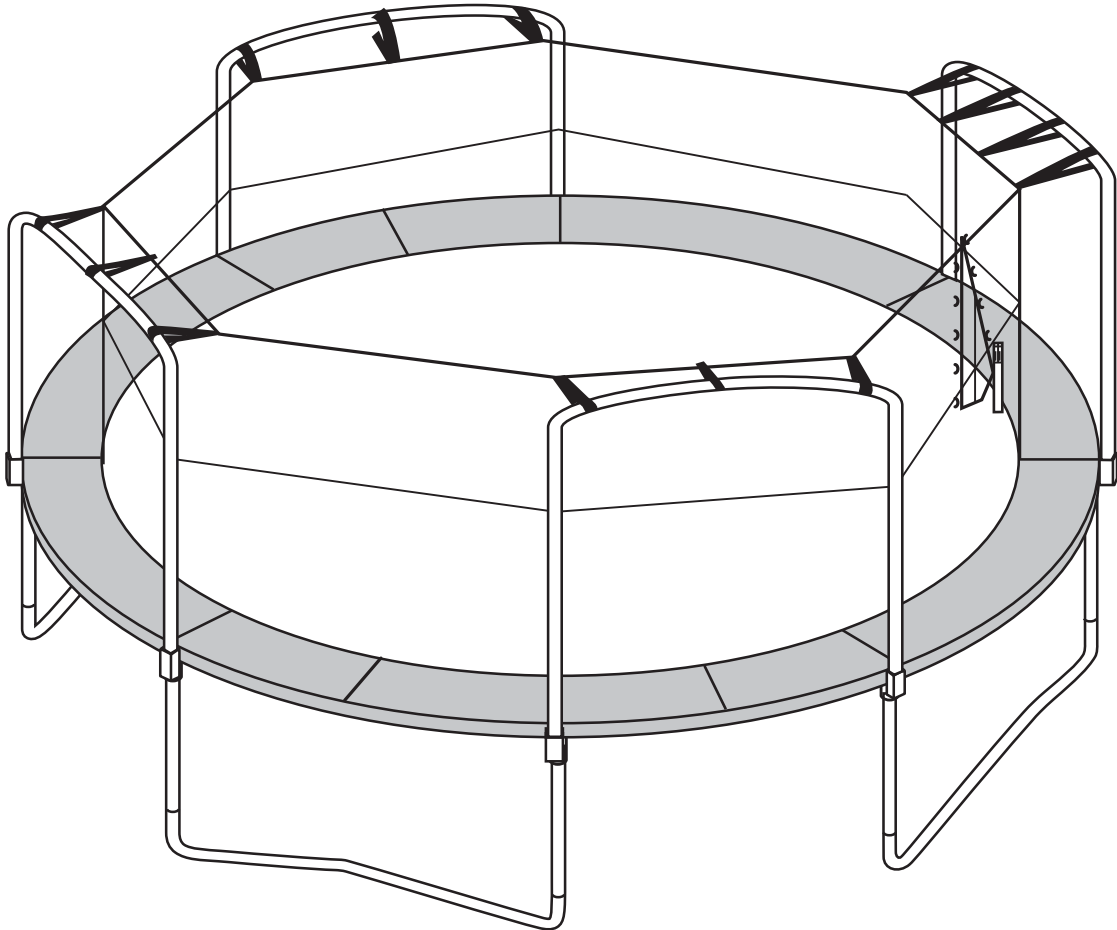


# User's Manual

## 17' round Enclosure



### **Model STSC1700 series**

**⚠ WARNING**

Read all precautions and instructions in this manual before using this equipment. Save this manual for future reference. Maximum user weight 200 lbs.

**⚠ IMPORTANT**

Trampoline / Enclosure's are susceptible to winds. Be sure to secure your Trampoline / Enclosure. Wind Damage is not covered in the warranty of your trampoline.

SKYWALKER  
  
TRAMPOLINES™

## **Model STSC1700 series**

A serial decal is found on one of the trampoline legs, Model number decal tag is located on the jumping mat

### **CONTENTS**

Important Precautions .....	3
Warning Label Placement .....	4
Before You Begin.....	4
Enclosure Safety Information .....	5-7
Assembly.....	8-11
Care and Maintenance.....	12
Exploded Drawing and Parts List.....	13
Ordering Replacement Parts .....	13
Limited Warranty .....	Back

### **QUESTIONS?**

If you have questions after reading this manual, please call our toll-free Customer Care Hot Line. The trained technicians on our Customer Care Hot Line will provide immediate assistance.

Customer Care Hot Line: 1-866-603-Jump (5867)  
Monday—Friday, 8 a.m.—5 p.m. Mountain Time

### **REPLACEMENT PARTS**

[www.skywalkertrampolines.com](http://www.skywalkertrampolines.com)

### **! WARNING**

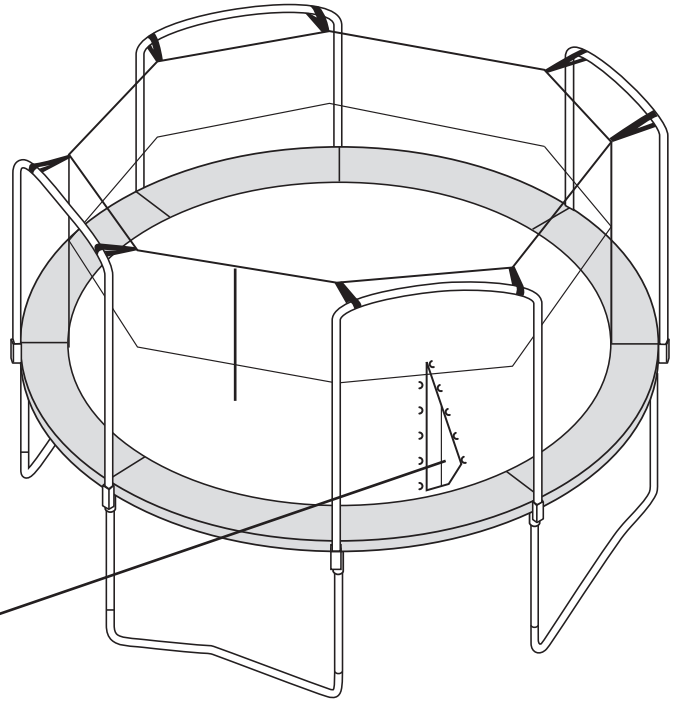
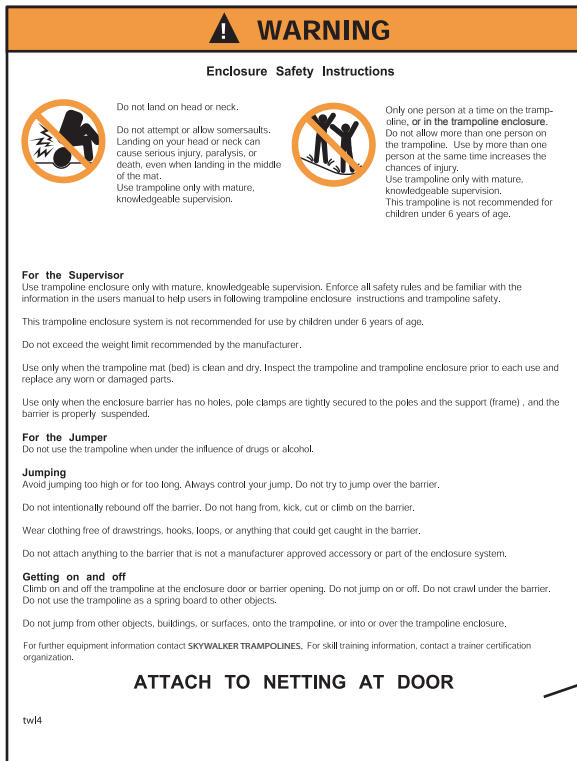
Read the assembly, installation, care, maintenance, and use instructions in this manual prior to assembling and using this trampoline. Save this manual for future reference.

## IMPORTANT PRECAUTIONS

**! WARNING:** To reduce the risk of serious injury, read and follow all of the warnings, precautions, and instructions in this manual before you use the trampoline enclosure. Warnings and instructions for care, maintenance, and use of this trampoline enclosure are included to promote safe, enjoyable use of this equipment.

1. It is the responsibility of the owner and supervisors of the trampoline and enclosure to make sure all users obey the safety instructions given in this manual. Secure the trampoline and trampoline enclosure against unauthorized and unsupervised use.
2. The trampoline enclosure is to be used only as an enclosure that fits a trampoline of a size that for which the enclosure is designed.
3. Be sure the trampoline and enclosure are on a level surface before you use it.
4. Be sure there is enough clear space above the trampoline and enclosure before you use it. It is best to have at least 24 feet (7.3 meters) of clear space above the ground. This space must be clear of wires, tree limbs, and any other possible hazards.
5. Lateral (sidewise) clearance is very important. Place the trampoline and enclosure where it is not near walls, buildings, fences, sidewalks, and other play areas. Always keep a clear space on all sides of the trampoline and enclosure.
6. Use the trampoline and enclosure in an area with lots of light. If the trampoline and enclosure are indoors or in shady areas you may need to use artificial (electrical) lighting in the area.
7. Be sure the trampoline and enclosure are only used with your permission. Always have someone there to supervise when they are being used. If you use a ladder to get on the trampoline, be sure it is removed when the trampoline and enclosure are not being used.
8. Always inspect the trampoline enclosure before it is used. Make sure that the netting, enclosure tubes, and foam sleeves are correctly positioned. Replace any worn, defective, or missing parts. (Jumpers may be hurt if the trampoline and enclosure are used when they are in poor condition.)
9. Remove any objects from under the trampoline and enclosure.
10. Do not attach anything to the barrier that is not a manufacturer -approved accessory or part of the enclosure system.
11. Bounce only when the surface of the mat (bed) is dry. There should be very little or no wind or air movement. The trampoline and enclosure must not be used in gusty or severe winds.
12. This trampoline enclosure is made for users who do not weigh more than 200 pounds and children less than 6 years old should not use it or go on it.
13. Do not let more than one person inside the trampoline enclosure at the same time. Two or more people jumping at the same time can cause someone to be badly hurt.
14. Wear clothing free of drawstrings, hooks, loops, or anything that could be caught in while using the trampoline/enclosure. And result in entanglement and strangulation, or both.
15. Do not jump on the trampoline while you have or are holding any objects, especially something sharp or breakable.
16. Do not use the trampoline and enclosure if you have been using alcohol or drugs. These things cause you to not be able to move as fast, have poor judgment, and have poor physical coordination.
17. The trampoline should only be used with mature, knowledgeable supervision.
18. Misuse and abuse of the trampoline enclosure is dangerous and can cause you to be badly hurt.
19. Always climb onto and off of the trampoline. Never jump onto it or off of it. Do not use the trampoline to bounce you to other objects.
20. Enter and exit the enclosure only at the enclosure door or barrier made for that purpose.
21. Do not attempt to crawl under the barrier.
22. Do not attempt to jump over the barrier.
23. Do not intentionally rebound off the barrier.
24. Do not try to bounce off of the netting.
25. Do not hang from, kick, cut, or climb on the barrier.
26. The trampoline and enclosure frames are made of metal. They are not grounded and will conduct electricity. For this reason, an electrocution hazard exists. No lights, electric heaters, extension cords, or household electrical appliances are to be permitted in or on the trampoline or enclosure at any time.
27. DO NOT attempt or allow summersaults (flips) on trampoline. Landing on the head or neck can cause serious injury, paralysis, or death, even when landing in the middle of the jumping bed.

# WARNING LABEL PLACEMENT



The placard shown at the left was sewn to the trampoline enclosure netting. If the placard is missing or illegible, call our Customer Care Hot Line toll-free at 1-866-603-Jump (5867), Monday through Friday, 8 a.m. until 5 p.m. Mountain Time, to order a free replacement placard.

Note: The labels and placard are not shown as actual size.

## BEFORE YOU BEGIN

Thank you for selecting a Skywalker Trampolines Brand Enclosure. The enclosure, when combined with a properly placed and maintained trampoline, will provide many years of backyard fun. Your trampoline enclosure comes equipped with warnings and instructions for the assembly, care, maintenance, and use of the enclosure. This information must be read by all trampoline supervisors and users before any person is allowed to use the enclosure on a trampoline.

If you have any questions after reading this manual, please call our toll-free Customer Care Hot Line at 1-866-603-Jump (5867), Monday through Friday, 8 a.m. until 5 p.m. Mountain Time (excluding holidays). To help us assist you, please mention the name of the product when calling (Trampoline Enclosure System).

# **ENCLOSURE SAFETY INFORMATION**

## **NEED FOR TRAMPOLINE ENCLOSURE SAFETY**

A trampoline enclosure is a recreational product.

The information on this page and on pages 6-7 identify important safety precautions. The precautions are not all-inclusive, because an enclosure can be used in ways that this manual cannot cover completely.

To prevent pinches and cuts during enclosure use, a frame pad must be installed on the trampoline. (See the trampoline manufacturer's instructions.) The frame pad must be placed on the trampoline before the enclosure is erected. The frame pad reduces the chance of injury from accidental contact with the springs and frame.

## **USING THE ENCLOSURE SAFELY**

### **Adult Supervision of Children**

Children using a trampoline with a trampoline enclosure must be supervised by adults. Young children must be supervised constantly. Adults must pay particular attention to:

- things that children bring into the enclosure.
- children's activities inside the enclosure.
- conditions inside the enclosure while children are using it.
- the way children enter and exit the enclosure.

Additional details of safety enclosure use are described below.

### **Electrocution Hazard Associated with the Metal Frame of the Trampoline and Enclosure**

The trampoline and enclosure frames are made of galvanized steel. They are not grounded and will conduct electricity. For this reason, an electrocution hazard exists. No lights, electric heaters, extension cords, or household electrical appliances are to be permitted in or on the trampoline or enclosure at any time.

### **Hazards Associated with Entering and Leaving the Trampoline Enclosure**

A trampoline enclosure installed on a trampoline is raised off the ground. The height of the enclosure increases the risk of a fall when a jumper is entering or leaving the enclosure. Young children, especially, may have difficulty entering and exiting the enclosure. To reduce the risk of falling, always help young children to get into and out of the enclosure.

Enter and exit the trampoline enclosure only through the door of the enclosure (the opening in the netting walls). The trampoline mat (bed) and the netting walls of the enclosure are separate pieces. No jumper, especially young children, should ever leave the enclosure by going out between the mat and the netting walls. Trying to get out in this way creates a risk of choking from being caught between the trampoline frame and the netting walls.

Darkness increases the chances of a fall when a jumper is entering or leaving the enclosure. Do not use the trampoline unless there is plenty of lighting provided.

### **Hazards Associated with Animals, Sharp or Breakable Objects**

To avoid damage to the trampoline enclosure and the trampoline, do not allow pets or other animals inside of the enclosure. The claws and teeth of animals can damage the netting. Do not jump on the trampoline while holding or wearing a sharp or breakable object.

## **Hazards Associated with High Winds**

A trampoline with an enclosure can be moved or blown over by high winds. Anyone in its path, or inside of the enclosure, may be injured if this happens. If you expect high winds, take down the enclosure netting and stake the trampoline frame to the ground (see page 10), or move the trampoline and enclosure to a sheltered location.

## **Storing the Trampoline Enclosure Safely**

Specific steps for storing the trampoline enclosure are given later in this manual. There are special safety precautions to be aware of when storing the enclosure.

Remove the attached arch sections as a unit and place them on the ground. Separate the tubes after they are on the ground. Avoid pinching your fingers by wearing gloves and keeping your fingers away from pinch points near the bracket assembly while you are removing the tubes from the frame.

## **Placing the Trampoline and Enclosure in a Safe Place**

There must be at least 24 feet (7.3 meters) of clear, open space above the ground. Do not place or store anything underneath the trampoline and enclosure.

To avoid injury, the trampoline and enclosure must be kept away from objects and possible hazards including electric power wiring, tree limbs, and fences. Do not place the trampoline and enclosure near any other recreational devices or structures such as a swimming pool or swing set.

The trampoline and enclosure must be placed on a level surface before use. The area around the trampoline must always have plenty of light.

## **For the Supervisor**

Be familiar with the information in this manual and enforce all of the safety rules. Help all users to utilize the trampoline and enclosure safely.

All trampoline and enclosure users must have someone to supervise them at all times, regardless of the skill or age of the user.

Secure the trampoline and enclosure against unauthorized and unsupervised use. Keep the trampoline and enclosure free of any objects that could interfere with the jumper.

This trampoline and enclosure is not recommended for use by children under 6 years of age or by anyone weighing more than 200 pounds.

Use the trampoline and enclosure only when the trampoline mat (bed) is clean and dry. Inspect the trampoline and enclosure prior to each use and replace any worn or damaged parts. Use only when the enclosure netting has no holes, all uprights are tightly bolted into their sockets, and the netting is properly suspended.

DO NOT attempt or allow somersaults on the trampoline. Landing on the back or neck can cause serious injury, paralysis, or death, even when landing in the middle of the bed.

### **For the Jumper**

Do not use the trampoline enclosure when under the influence of drugs or alcohol.

### **JUMPING**

Avoid jumping too high or for too long. Always control your jump.

Take turns jumping one at a time, and always have someone watch you.

Do not attempt to jump over the netting. Do not intentionally bounce off of the netting. Do not hang from, kick, cut, or climb on the netting.

Wear clothing that does not have drawstrings, hooks, loops or anything else that could get caught while using the trampoline/enclosure and result in entanglement or strangulation, or both.

Do not attach anything to the netting that is not a Skywalker Trampolines approved accessory or part of the of the trampoline enclosure.

### **How to Enter and Exit the Trampoline Enclosure**

Enter and exit the trampoline enclosure only through the door in the netting. To enter the enclosure, first unfasten the plastic clips on the door and unzip the zippers. Place one knee on the frame pad and climb head first through the door. Refasten the plastic clips and close the zippers.

To leave the enclosure, first unzip the zippers on the door and unfasten the plastic clips. Sit on the mat (bed) of the trampoline and climb feet first through the door. When you are through the door and sitting on the frame pad, carefully step or jump to the ground. Close the zippers and refasten the plastic clips.

## ASSEMBLY

### ASSEMBLY (PUTTING THE ENCLOSURE TOGETHER)

#### IMPORTANT ASSEMBLY INFORMATION

- Need phillips screw driver and 2 adjustable wrenches (not included).
- Assembly requires two adults. Keep children away from the trampoline enclosure until it is completely put together.
- Use gloves to protect your hands from pinch points while putting the enclosure together.
- Make sure that the trampoline is properly put together, with the frame pad correctly laid out, before you put together the trampoline enclosure.
- The assembly steps refer to parts by their descriptions and key numbers (see the PARTS LIST on page 13 and make sure that all listed parts are included. If a part is missing, refer to ORDERING REPLACEMENT PARTS at the bottom of page 13.

#### TRAMPOLINE PLACEMENT

1. Place the trampoline and enclosure on a level surface before you use it.
2. Adequate overhead clearance is essential. A minimum of 24 feet (7.3 meters) from the ground is recommended. Provide clearance for wires, tree limbs, and other possible hazards. Lateral (sideways) clearance is also essential. Place the trampoline and enclosure away from walls, structures, fences, and other play areas. Maintain a clear space on all sides of the trampoline and enclosure.
3. Use the trampoline and enclosure in a well-lighted area. Artificial (electrical) lighting may be required for shady areas.
4. Secure the trampoline and enclosure against unauthorized and unsupervised use.
5. Remove any objects from under the trampoline and enclosure.
6. The trampoline enclosure is only to be used as an enclosure for an oval trampoline.

1. Make sure that you understand the information in the box at the top of this page.

2. Lay two Straight Tubes (6), two L-tubes (7), and a big Curved Tube (8.1) on the ground so they form an arch (A). Make sure that the Straight Tubes are oriented so the small holes are in the positions shown. The frame should be completely assembled with the screws. Then carefully slide the long foam sleeves(9.1) onto the frame. Note: The ends of the Straight Tubes should not be covered.

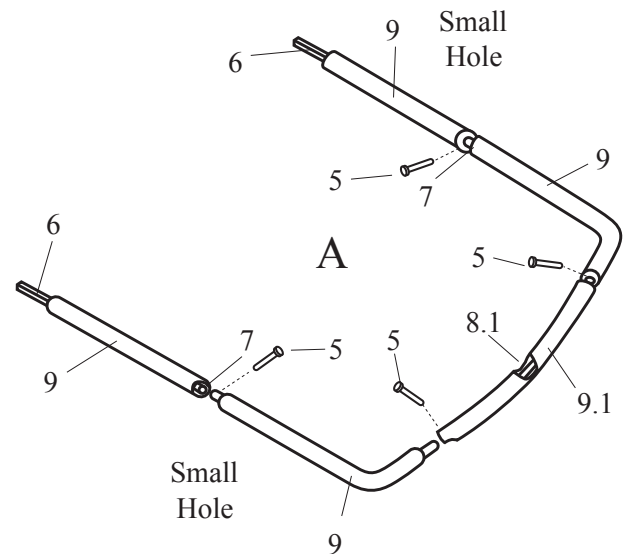
Insert the two L-tubes (7) into the two Straight Tubes (6). Next, insert the two L-tubes into the Curved Tube (8).

Tighten four Self-tapping Screws (5) into the small holes in the Straight Tubes (6) and the Curved Tube (8.1). Note: The Small holes may be on the opposite side of the Curved Tube.

Repeat above steps until another same arch assembled (A) is completed as shown in right.

3, Lay two Straight Tubes (6), two L-tubes (7), and a small Curved Tube (8.2) on the ground so they form an arch (B). Make sure that the Straight Tubes are oriented so the small holes are in the positions shown. The frame should be completely assembled with the screws. Then carefully slide the short foam sleeves(9.2) onto the frame.

Note: The ends of the Straight Tubes should not be covered. Insert the two L-tubes (7) into the two Straight Tubes(6). Next, insert the two L-tubes into the Curved Tube (8.2).

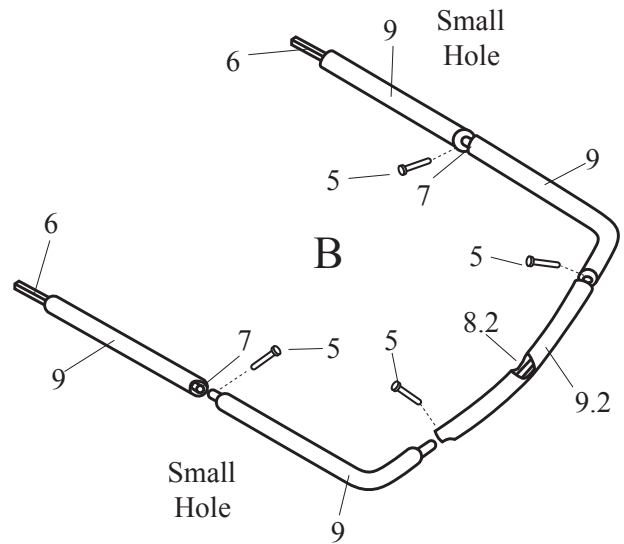




Tighten four Self-tapping Screws (5) into the smallholes in the Straight Tubes (6) and the small Curved Tube(8.2).

Note: The Small holes may be on the oppositeside of the Curved Tube.

Repeat above steps until another same arch assembled (B) is completed as shown.



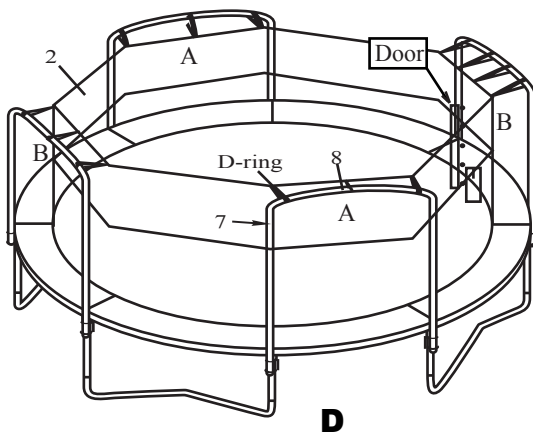
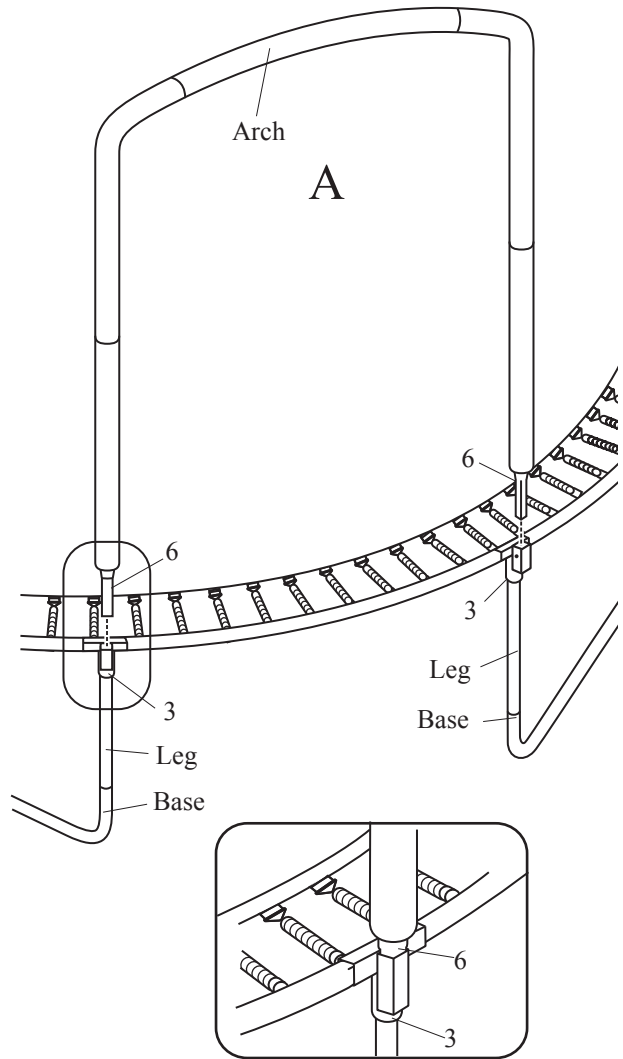
4. Note: In this Step you will secure the Enclosure arches to the frame of the trampoline.

Lift one of the arches assembled (A) in Step 2 and insert the two Straight Tubes (6) into the tops of the two trampoline frame Square Sockets (3) as shown.

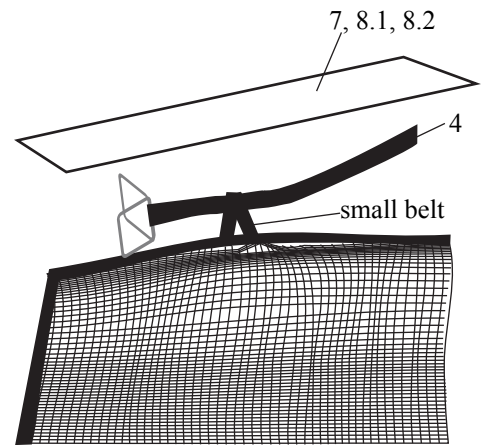
**Note: Make sure the arches assembled are located according to drawing (D) below.**

Attach another arch assembled(A) to the trampoline by the same way. Make sure the two same arch assembled(A) in the opposite position.

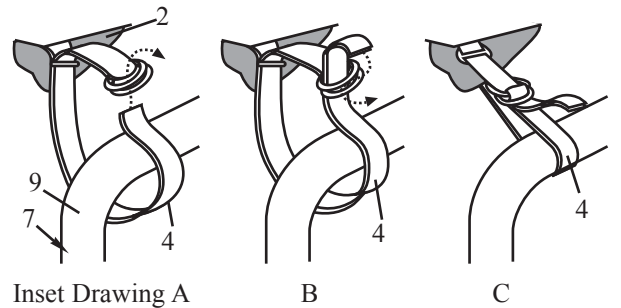
Repeat this procedure to the two arch assembled (B) to the trampoline. The unit is now shown in D drawing .



5. Insert the end of the strap(4) though the small belt ( see the right drawing) , attach the straps to the tubes(7,8.1,8.2) by the same method used below.



Locate one of the D-rings attached to the upper edge of the Netting. Lift the D-ring and hold it close to an L-tube (7) as shown in Inset Drawing A. Insert one of the Straps (4) through the D-ring on the Netting (2). (See Inset Drawing A.) Next, thread the end of the Strap under the Foam Sleeve (9) on the L-tube (7) and up through the two D-rings on the opposite end of the Strap (4) (See Inset Drawing B.) Then thread the end of the Strap (1 back down through the lower D-ring on the Strap. (See Inset Drawing C.) Pull the loose end of the Strap to remove any slack but do not fully tighten the Strap (4) at this time.



Attach the Netting (2) to the other twelve L-tubes (7) with the other twelve Straps (4) in the same manner.

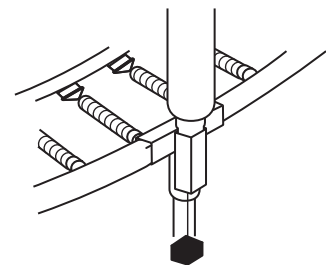
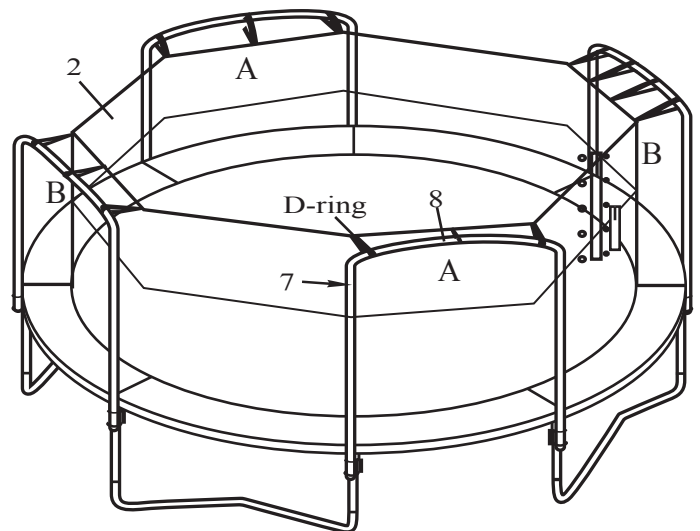
6. Tighten the twelve Straps (4) attaching the Netting (2) to the L-tubes (7). (See Step 4.)

Tie the free end of each Strap (4) around the rest of the Strap (4) to prevent the Strap from becoming loose.

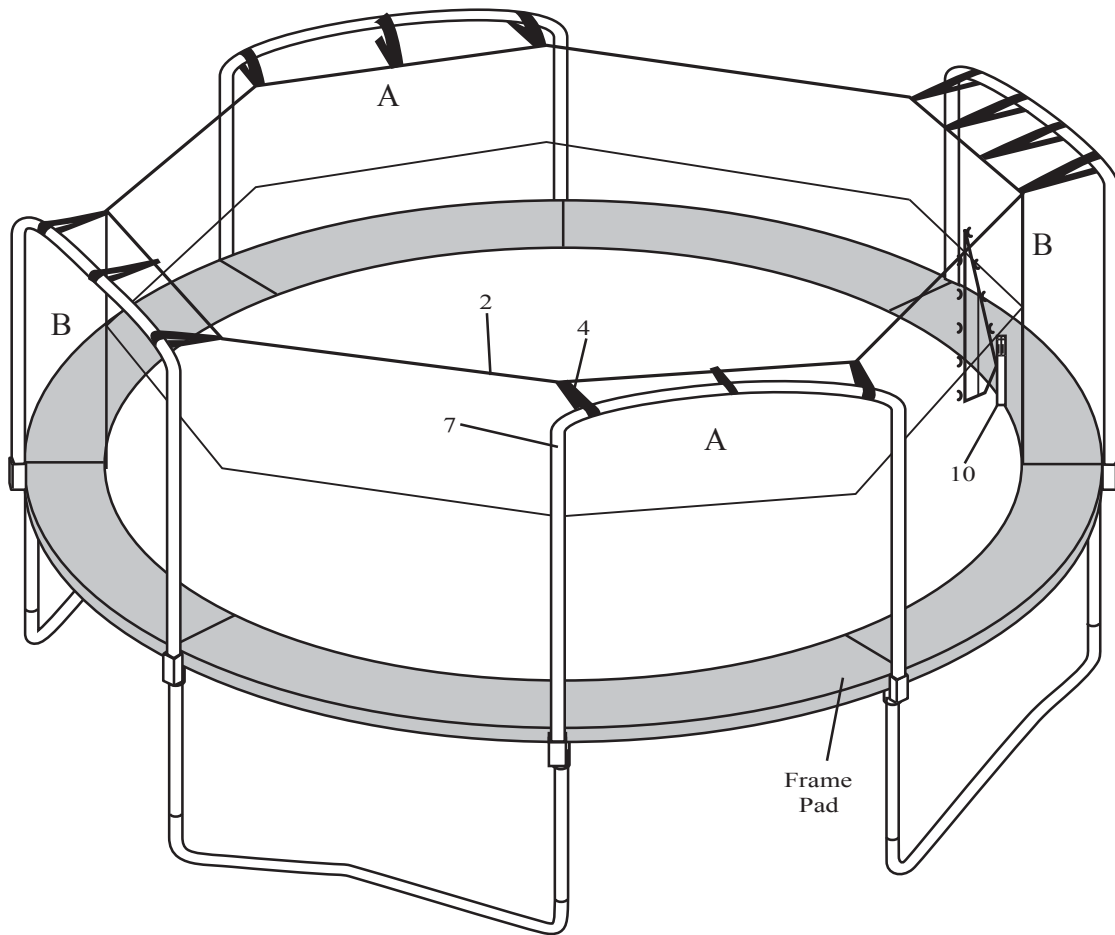
7. Tighten the Straps (4) (not shown) on the underside of the frame pad. See Trampoline manual page 14.

8. Now insert the plastic cap into the bottom of the T-Bracket.

Your trampoline enclosure is now fully assembled (put together). Make sure that all parts are securely attached. Familiarize yourself and all users of the trampoline and enclosure with the safety precautions, use and instructional materials, and care and maintenance instructions in this manual before using the trampoline and enclosure.



Insert plastic cap into end of T-Bracket



**DISASSEMBLY (TAKING THE ENCLOSURE APART)**

To disassemble the trampoline enclosure (take it apart), follow assembly steps 1 through 7 in reverse order.

## CARE AND MAINTENANCE

### TRAMPOLINE ENCLOSURE CARE AND MAINTENANCE

To avoid damage to the trampoline and enclosure, do not allow pets or animals inside the enclosure.

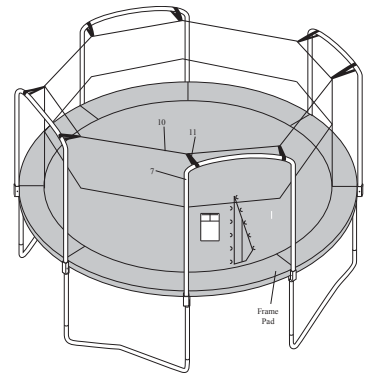
Appropriate shoes should be worn inside the enclosure to reduce wear to the trampoline mat (bed). Follow the trampoline manufacturer's recommendations.

Continued exposure over a long period of time to the sun, especially to ultraviolet rays, will shorten the life of the enclosure fabric. For longer fabric life, store the enclosure when it is not being used. A dry enclosure, properly stored, will provide the longest life of the fabric, sewing, and hardware. Remove the enclosure from the trampoline during harsh weather conditions or during long periods of non-use.

Inspect the trampoline enclosure before each use, and replace any worn, defective, or missing parts. The following conditions could represent potential hazards and increase the possibility of getting hurt:

- missing, improperly positioned, or insecurely attached netting, enclosure tubes, or foam sleeves
- punctures, frays, tears, or holes worn in the netting or foam sleeves
- deterioration in the stitching or fabric of the netting
- bent or broken enclosure tubes
- sagging netting
- sharp protrusions on enclosure tubes

If any of these conditions exist, the trampoline enclosure should be disassembled (taken apart) or otherwise protected from being used until the condition is fixed.



### SPECIAL CONSIDERATIONS

#### High Wind

It is possible for the trampoline and enclosure to be blown about by high winds. If you expect high winds, move the trampoline and enclosure to a sheltered location. Disassemble (take down) the enclosure netting. Tie the trampoline frame down to the ground using ropes and stakes (not included). At least three ropes and three stakes should be used. The tops of the stakes should be at ground level so that they will not create a tripping hazard. In addition, the tops of the stakes should be covered, if necessary, so that users will not be hurt by falling onto the stakes. Make sure to attach the ropes to the top of the trampoline frame: do not simply secure the legs or the bases to the ground as they can separate from the frame sockets.

#### Moving the Trampoline and Enclosure

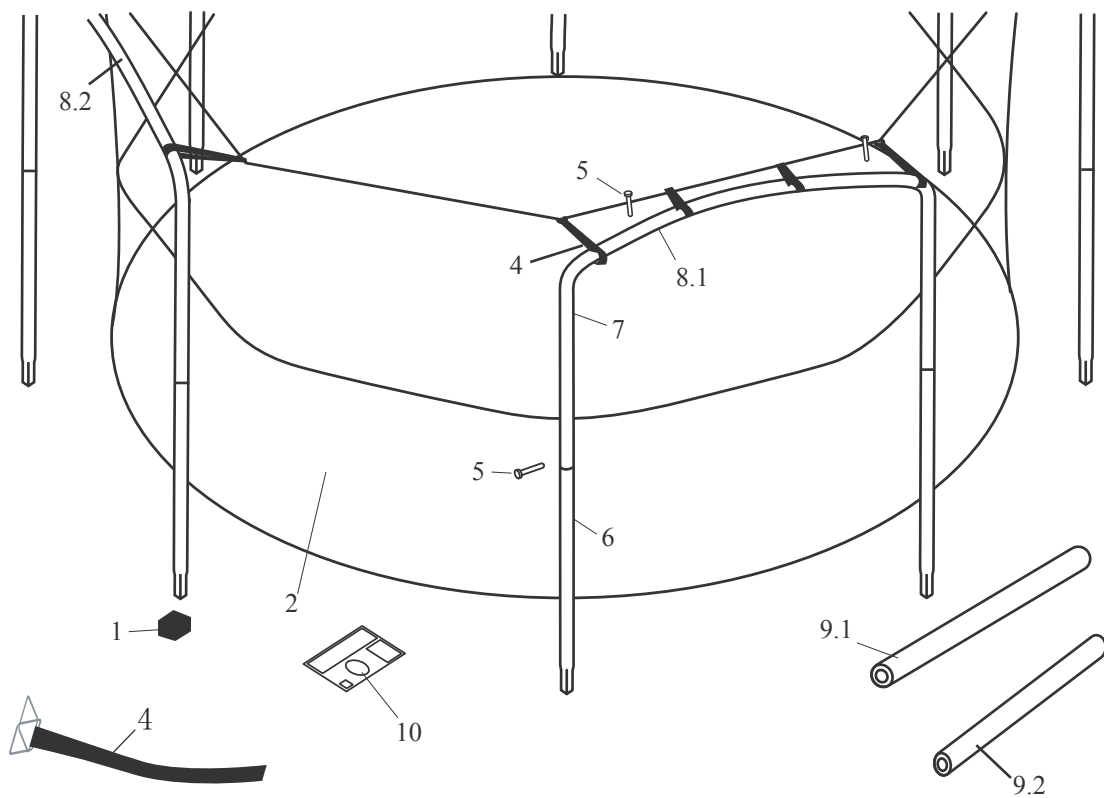
If the trampoline and enclosure are to be moved a long distance, they should first be taken apart. See **DISASSEMBLY ON PAGE 11**. In addition, refer to the trampoline manufacturer's user's manual.

# EXPLODED DRAWING AND PARTS LIST

Key No.	Qty.	Description	Key No.	Qty.	Description
1	8	End Cap	7	8	L-tube
2	1	Netting with attached Hardware	8.1	2	Big Curved Tube
<b>3</b>	<b>8</b>	<b>Socket shown in the trampoline)</b>	8.2	2	Small Curved Tube
4	13	Strap with D-rings	9.1	18	Long Foam Sleeve
5	18	Self-tapping Screw (2 spare parts included)	9.2	2	Short Foam Sleeve
6	8	Straight Tube	10	1	User's Manual and Safety Placard

# These parts are not illustrated

Specifications are subject to change without notice.



## LIMITED WARRANTY

Skywalker Holdings, LLC warrants its trampoline products to be free from defects in material and workmanship under normal use and service conditions. The steel frame is warranted for one (1) year after the date of purchase. All other parts are warranted for ninety (90) days after the date of purchase.

All warranty coverage extends only to the original retail purchaser from the date of purchase. Skywalker Holdings, LLC obligation under this Warranty is limited to replacing or repairing, at Skywalker Holdings, LLC option, the product at one of this authorized service centers. All products for which a warranty claim is made must be received by Skywalker Holdings, LLC at one of its authorized locations. Preauthorization may be obtained by calling Skywalker Holding, LLC Customer Care Hot Line at 1-866-603-Jump(5867). This Warranty does not extend to any product or damage to a product caused by or attributable to freight damage, abuse, misuse, improper or abnormal usage, or repair not provided by a Skywalker Holdings, LLC authorized service center, or to products used for commercial or rental purpose. No other Warranty beyond that specifically set forth above is authorized by Skywalker Holdings, LLC. SKYWALKER HOLDINGS, LLC IS NOT RESPONSIBLE OR LIABLE FOR INDIRECT, SPECIAL OR CONSEQUENTIAL DAMAGES ARISING OUT OF OR IN CONNECTION WITH THE USE OR PERFORMANCE OF THE PRODUCT OR OTHER DAMAGES WITH RESPECT TO ANY ECONOMIC LOSS, LOSS OF PROPERTY, LOSS OF REVENUE OR PROFITS, LOSS OF ENJOYMENT OR USE, COST OF REMOVAL, INSTALLATION OR OTHER CONSEQUENTIAL DAMAGES. SOME STATES DO NOT ALLOW THE EXCLUSION OR LIMITATION OF INCIDENTAL OR CONSEQUENTIAL DAMAGES. ACCORDINGLY, THE ABOVE LIMITATION MAY NOT APPLY TO YOU.

THE WARRANTY EXTENDED HEREUNDER IS IN LIEU OF ALL OTHER WARRANTIES AND ANY IMPLIED WARRANTY OF MERCHANTABILITY OR FITNESS FOR A PARTICULAR PURPOSE IS LIMITED IN ITS SCOPE AND DURATION TO THE TERMS SET FORTH HEREIN. SOME STATES DO NOT ALLOW LIMITATIONS ON HOW LONG AN IMPLIED WARRANTY LASTS. ACCORDINGLY, THE ABOVE LIMITATION MAY NOT APPLY TO YOU. This Warranty gives you specific LEGAL RIGHTS. You may also have other rights which vary state to state.

THIS WARRANTY IS VALID ONLY IN THE UNITED STATES.

Skywalker Holdings, LLC, PO Box 574, Brigham City, UT 84302 USA.

Printed in China © 2010 Skywalker Holdings, LLC,