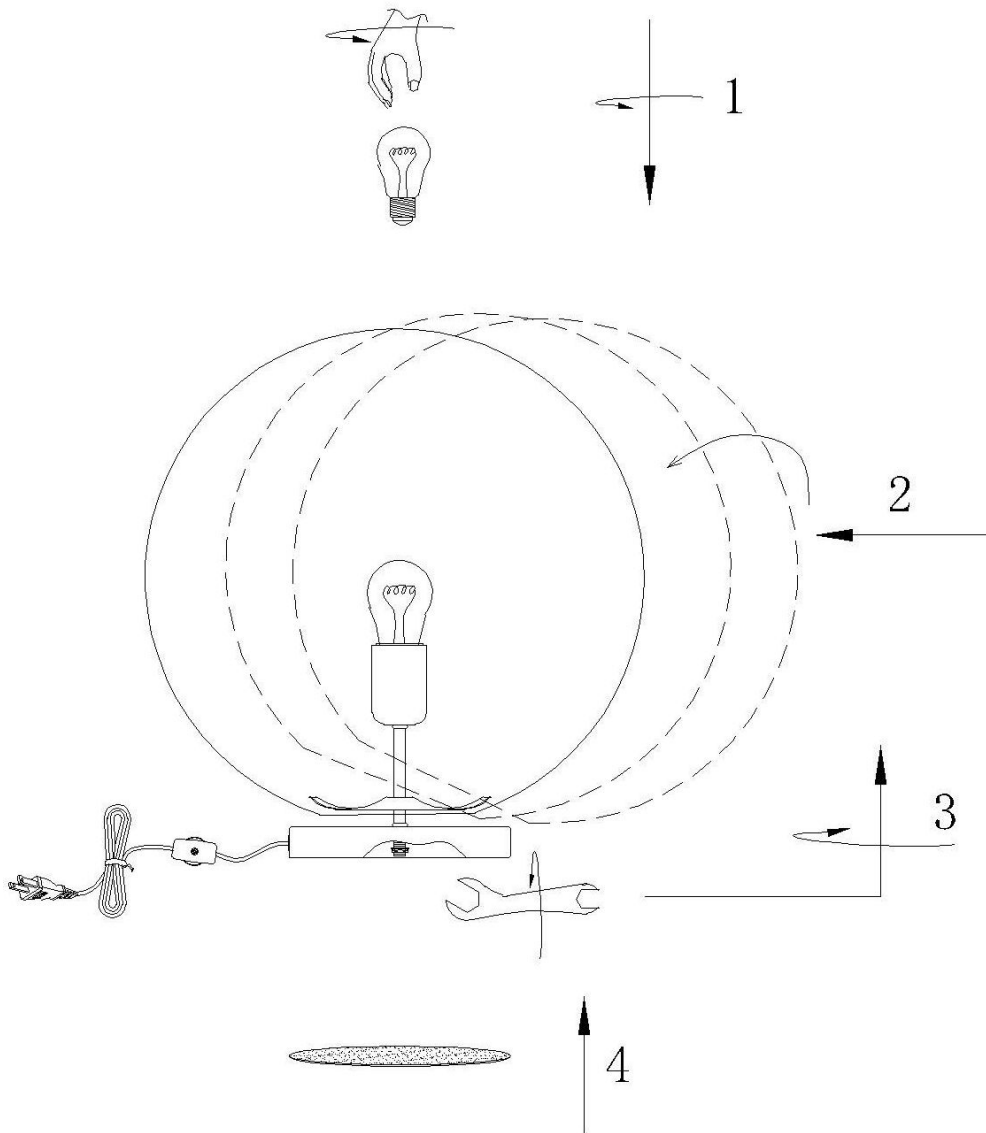


# 50011 , Sun Table Lamp



## Installation of globe:

Use ratchet wrench (provided) to turn the nut gently and slowly to make the globe locked onto the metal plate tight. Wabbling or excess forces might cause the globe broken.

## Relocation of the lamp:

To relocate the lamp, use one hand to hold the base, another hand to hold the globe. Do not move the lamp holding the globe solely

## Assembly Instruction:

1. Before assembly, to ensure to turn off the main.
2. Please use 1\*E26, Max. 60W bulb for this lamp.
3. Do not use the hard and sharp items to touch the shade to avoid scratches.
4. Do not let the children to reach the electric parts of this lamp for their own safe.

If the external wire or cable of this lamp is damaged, it should be exclusively replaced by the manufacturer or service agent or a similar qualified person in order to avoid a hazard.