



Tel: 714-891-7797
 Fax: 714-891-2478
 Toll Free: 800-822-8855
 www.calfaucets.com

California Faucets®

IN-WALL STOP VALVE

50-W (1/2") & 75-W (3/4")

**INSTALLATION
INSTRUCTIONS**

IMPORTANT

All California Faucets® products are engineered to provide quality performance provided they are installed and operated properly. To fully enjoy the comfort, safety, and reliability of your new In-Wall Stop Valve, please install per specifications below.

California Faucets reserves the right to make modification and specification changes at any time. Please visit www.calfaucets.com for most current technical data.

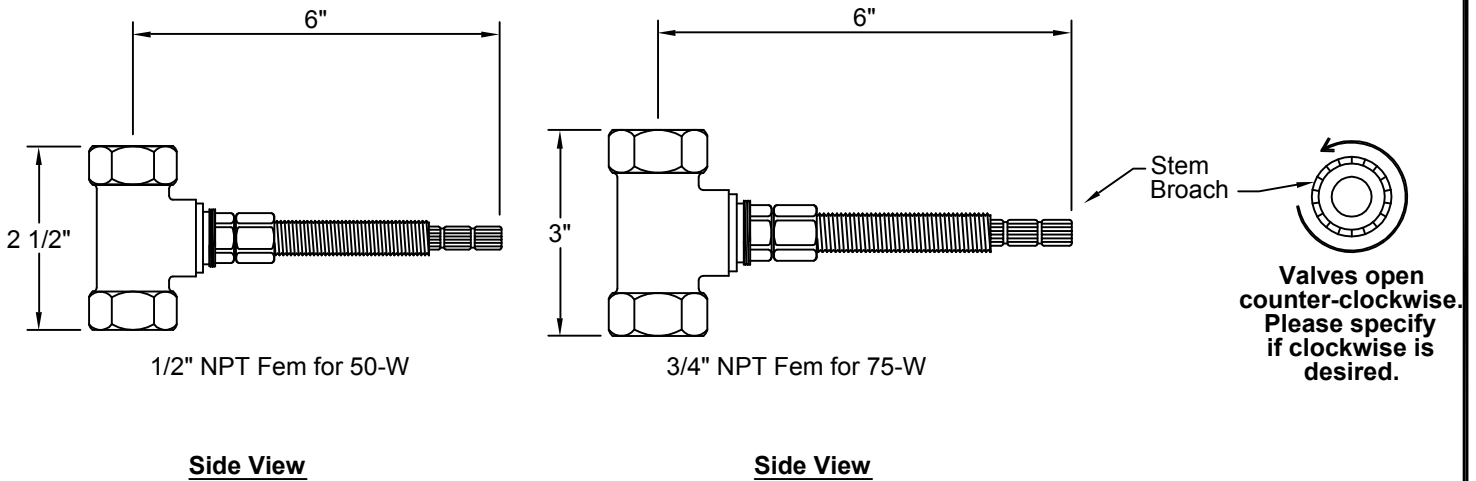


Fig. 1

NOTE: Valves must be installed according to direction of flow

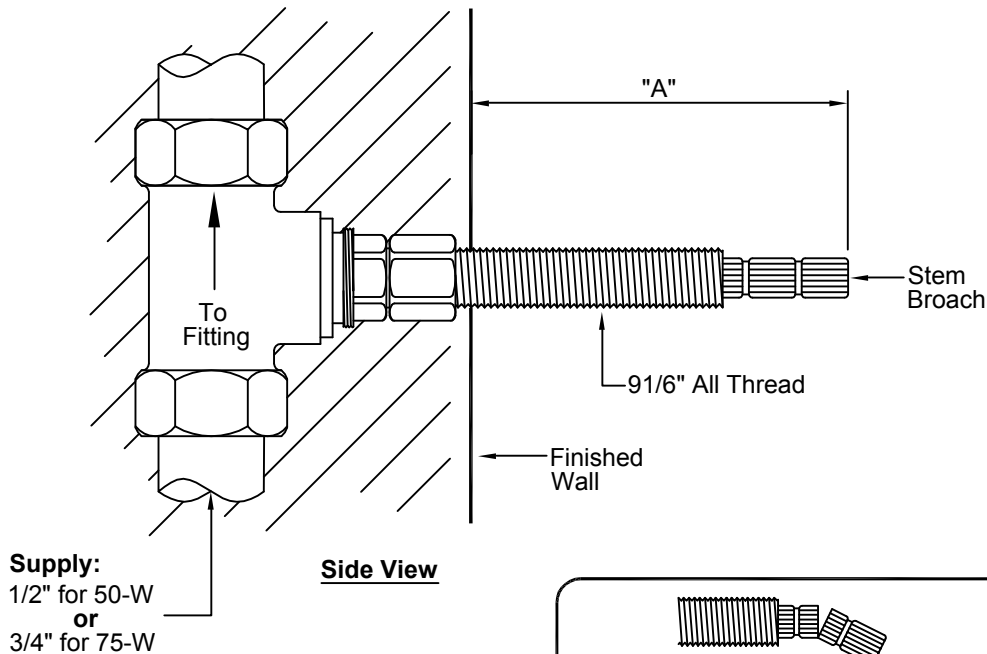


Fig. 2

"A" DIMENSION

"A" Dimension is from finished wall to tip of stem broach

Handle Series #	"A"
34	2 3/8"
35	2 3/8"
36	2 3/8"
38	2 5/8"
40	2 5/8"
42	2 5/8"
43	2 1/4"
46	2 1/2"
47	2 1/2"
50	2 1/4"
51	2 1/2"
52	2 5/8"
53	2 1/4"
55	2 5/8"
57	2"
58	2 5/8"
59	2 5/8"
60	2 1/4"
61	2 1/4"
62	1 7/16"
63	3 1/2"
64	2 5/8"
65	2 1/8"
66	2 1/8"
67	2 1/4"
68	2 3/8"
69	2 3/8"

NOTE: When fitting handle it may be necessary to shorten broach stem and/or all thread to eliminate gaps between handle and escutcheon.