


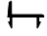

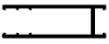





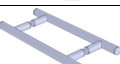
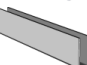


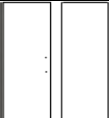
## PREPARATION

**Approximate Installation Time:** 60 minutes

**Tools Required for Installation:**

- Hacksaw
- Electric Drill
- 3/16 Masonry Bit
- Pencil/Felt Tip Pen
- Safety Glasses
- Measuring Tape
- Masking Tape
- Standard Screwdriver
- Phillips Screwdriver
- Level
- Rubber Mallet
- Center Punch
- Clear Caulking or Sealant

## PACKAGE CONTENT

	CST 900S	Sill	1
	CST 901	Dam Sill	1
	CST 903	Wall Jamb (Door Side)	1
	CST 965	Wall Jamb (Stationary Panel )	1
	C 914 C	Drip Rail	1
	C 956 C	Seal Vinyl (Strike Post)	1
	C180 C	Vinyl Strike Post	1
	6-8114 1329	Installation Screw & Anchor	6
	638 PHPT	Adjustment Screw	3
	CP 938	Setting Blocks	2
	CP 965 B	Wall Jamb Cap	2
	98-45	Magnet	1
	931 M	Door Strike	1
	C-5313-8	Ladder Pull / Handle	1
	C 955 B	Door Strike Vinyl	1
	C-5401	Support Bar (optional)	1
	C 951 B C 952 B	Front/Back Push-in Vinyl	1
	-	Glass Door Assembly	1
	-	Stationary Glass Panel Assembly	1



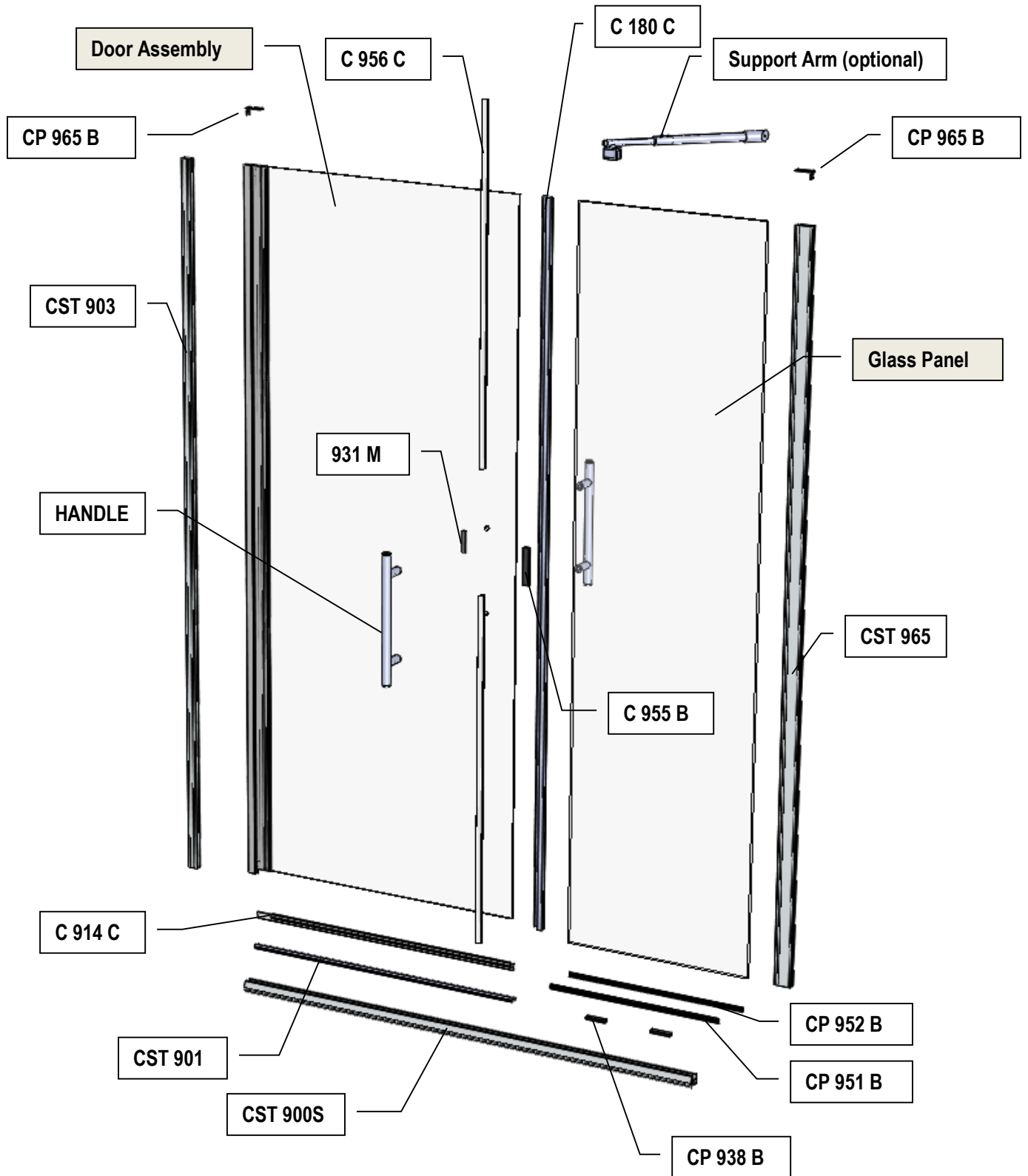
## QUESTIONS

Before beginning the installation of the unit, please make sure all parts are present. Compare parts with package contents list and diagram above. If any part is missing or damaged, do not attempt to install the product. Contact customer service for replacement parts.

Please call our customer service department at 1-800-874-8601, 8 am - 5 pm EST, Monday to Friday

Also watch “How to Install” at : <https://www.youtube.com/watch?v=jkbFmVfsMZs&feature=youtu.be>

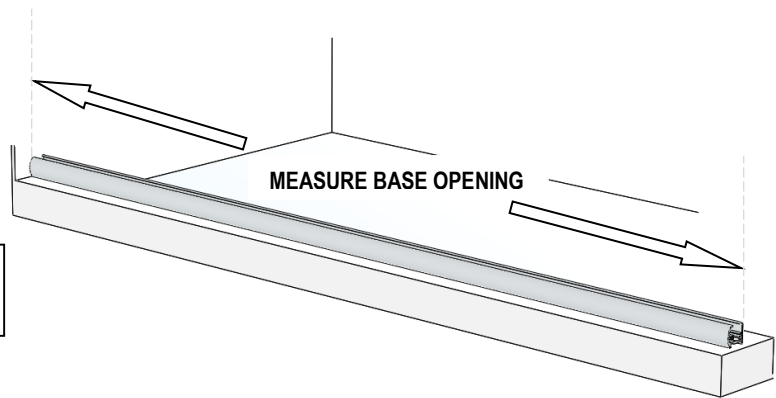
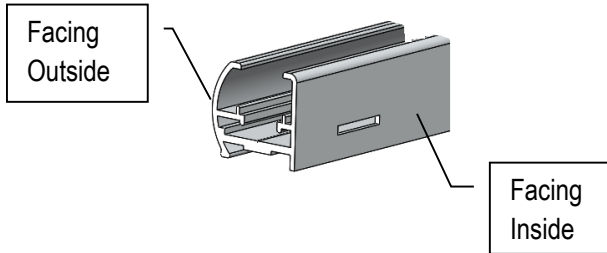
**"ILLUSION" FRAMELESS SHOWER ENCLOSURE  
INSTALLATION INSTRUCTIONS**



# “ILLUSION” FRAMELESS SHOWER ENCLOSURE INSTALLATION INSTRUCTIONS

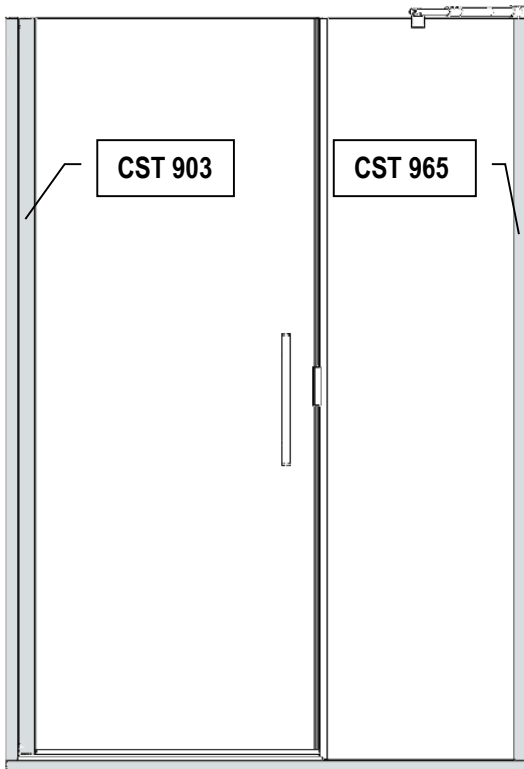
Measure the base opening along center of shower curb as shown, then trim sill CST 900S to 1/16” less than measurement obtained.

## STEP 1. POSITION SILL AT CENTER OF SHOWER CURB

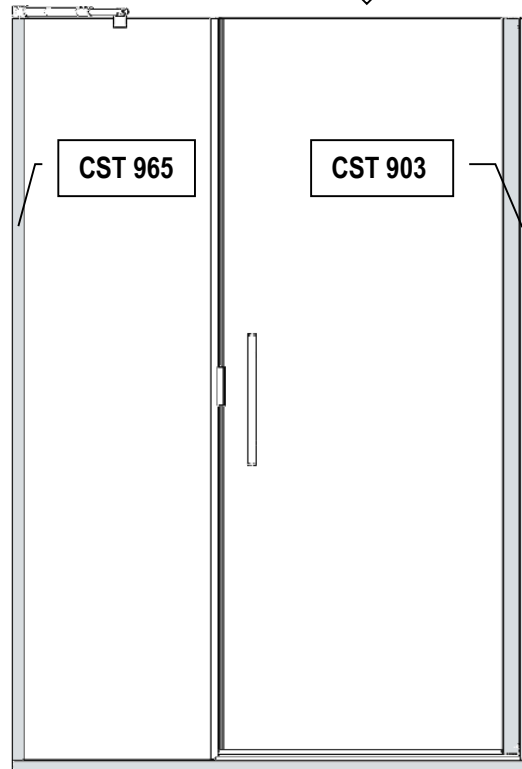


## STEP 2. IDENTIFY DOOR LOCATION. DEFAULT PRE-ASSEMBLED DOOR ON LEFT SIDE

DOOR ON LEFT SIDE

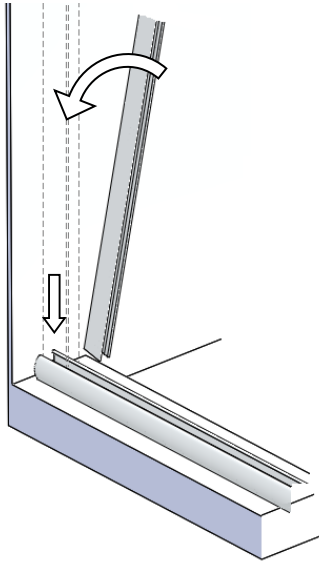


DOOR ON RIGHT SIDE

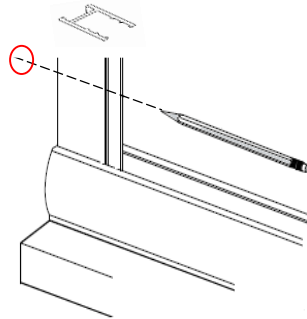


# “ILLUSION” FRAMELESS SHOWER ENCLOSURE INSTALLATION INSTRUCTIONS

## STEP 3. PLACE WALL JAMBS AGAINST SHOWER WALLS



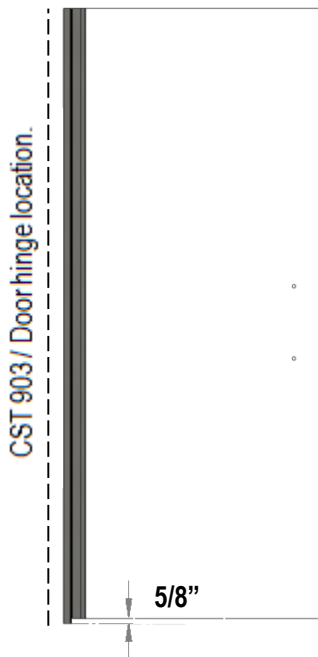
- Temporarily tape the sill CST 900S to shower curb to prevent movement.
- Place Wall Jambs (CST903 & CST 965) up against shower walls, according with door configuration selected.
- Pencil mark the installation for holes location on shower walls (3 per jamb).



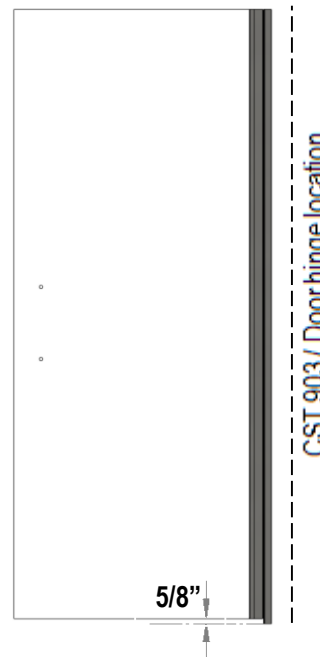
- Drill holes using 3/16” bit.
- Insert plastic screw anchors and secure Jambs to walls using the 1-1/4” installation screws.

**Note:** CST 903 Wall Jamb is always positioned on door hinge location.

## STEP 4. DOOR CONFIGURATIONS



DOOR ON LEFT SIDE (DEFAULT)



DOOR ON RIGHT SIDE (see instructions)

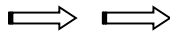
**“ILLUSION” FRAMELESS SHOWER ENCLOSURE  
INSTALLATION INSTRUCTIONS**

**NOTE:** Door assembly is by default pre-assembled for **LEFT SIDE** location. Conditions:

- door always opens to the exterior of shower enclosure.
- 5/8" difference on the bottom of the hinge.

**Please follow the instructions below in order to set-up a RIGHT SIDE mounting door.**

**Hinge On Left Side**

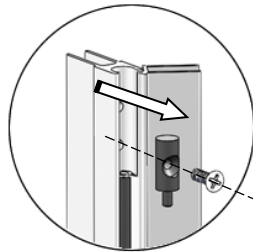
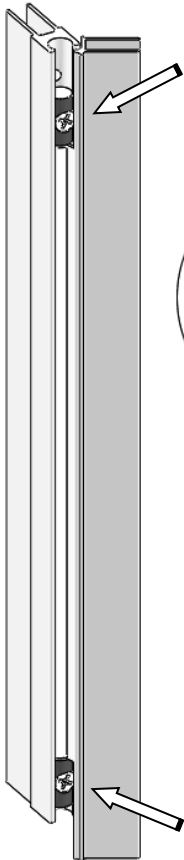


Follow the steps below to change into

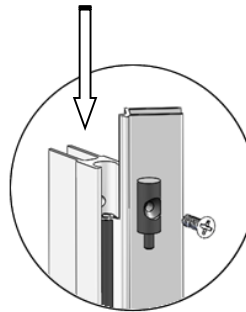


**Hinge On Right Side**

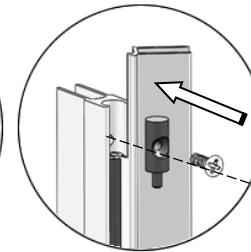
Locate the screws  
top and bottom of  
the hinge



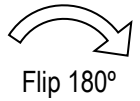
Remove screw and  
pin top / bottom



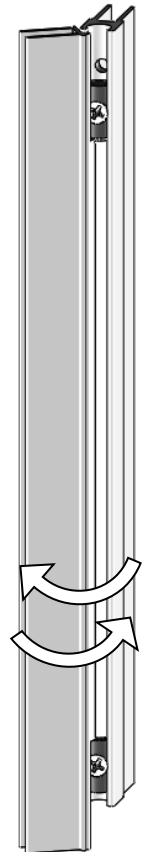
Locate the holes  
above and move  
5/8" for new  
position



Install the pins back into  
new location on  
top / bottom

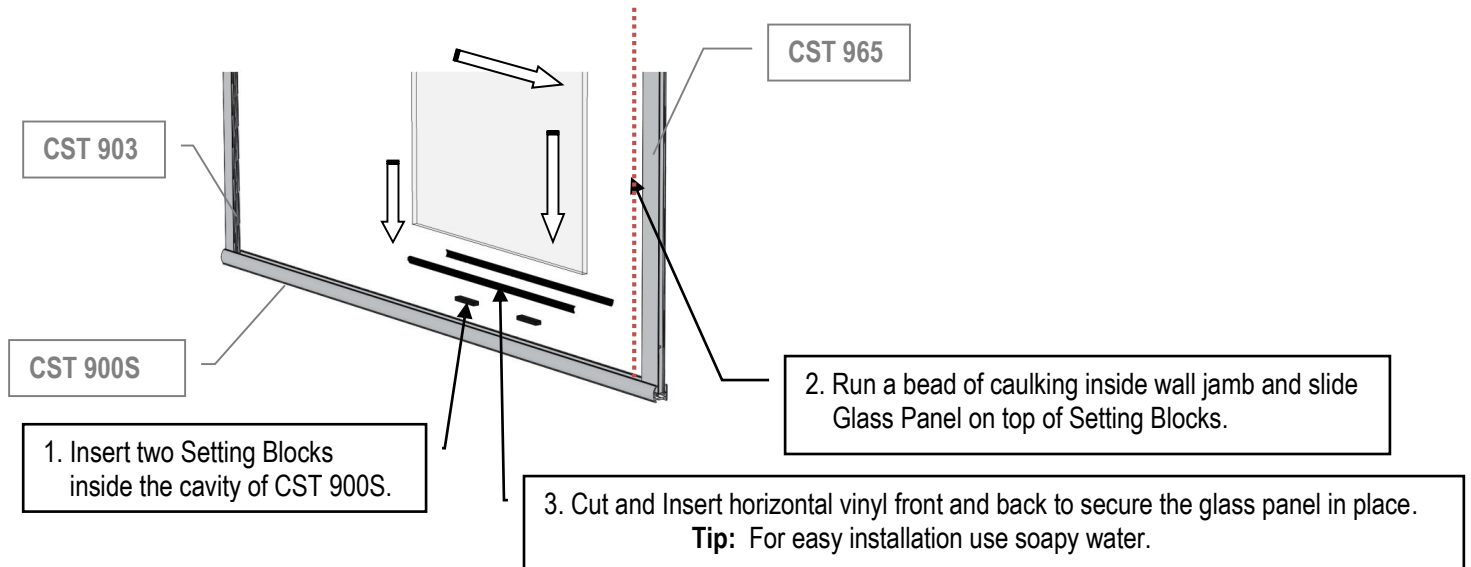


Flip 180°



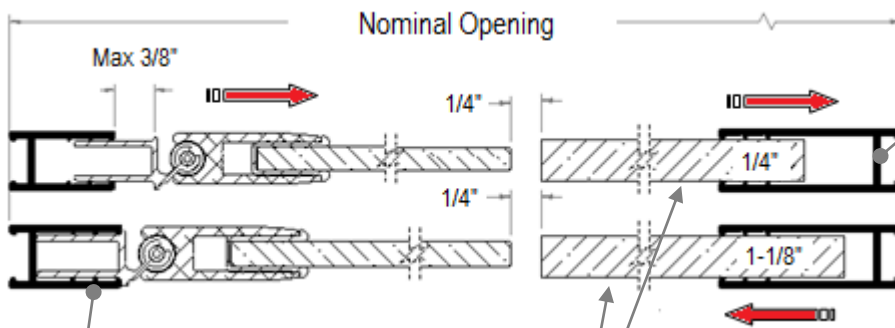
Make sure the new  
hinge position works  
properly

**STEP 5. INSTALL STATIONARY GLASS PANEL**



**Note:**

According with your nominal opening, Stationary Glass Panel will penetrate inside Wall Jamb (CST 965) from 1/4" up to 1-1/8"  
Check the adjustment necessary for Door Hinge / Wall Jamb (CST903) Max: 3/8" and the gap required between the Door Panel and Stationary Glass Panel (1/4")



CST 903

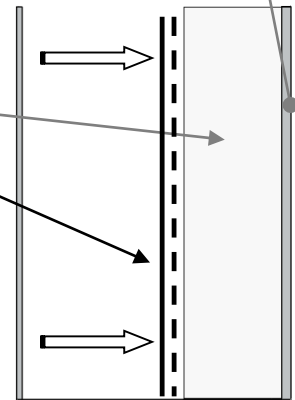
Stationary Glass Panel

CST 965

CST 965

**4.** Install Vinyl Strike C 180-C onto exposed edge of the Glass Panel. Make sure Vinyl Strike is firmly seated all the way onto the Glass Panel.

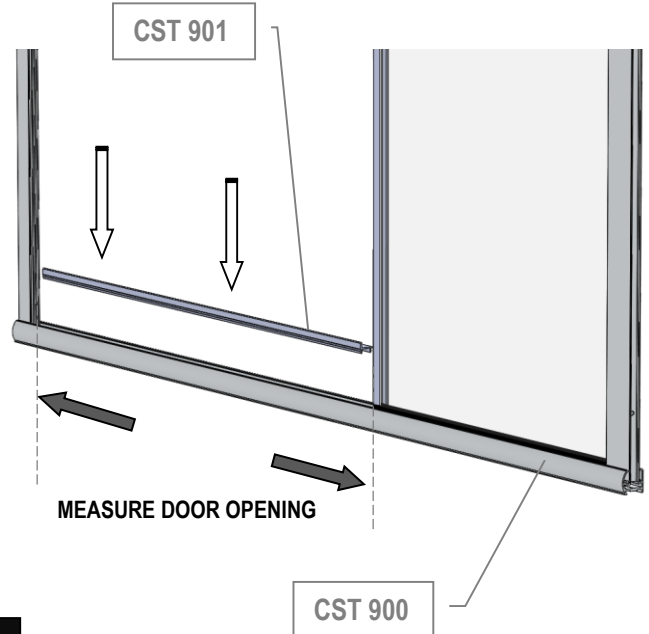
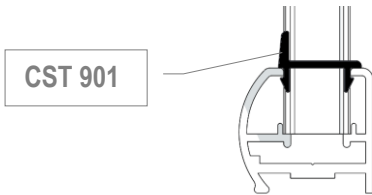
C 180-C



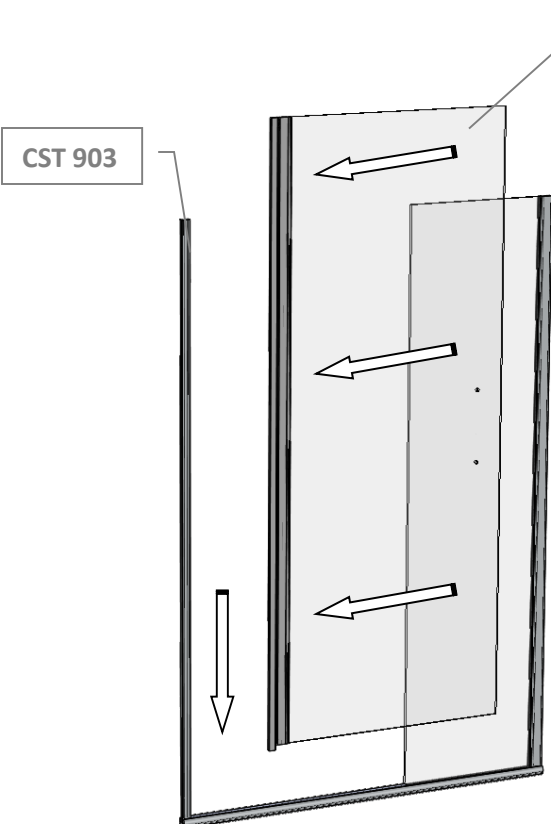
**STEP 6. TRIM AND PLACE DAM SILL COVER**

Measure door opening from the edge of Wall jamb to the edge of Glass Panel. Trim Dam Sill CST 901 as required and snap into CST 900S.

**Note:** Upright Lip CST 901 toward the outside of enclosure.



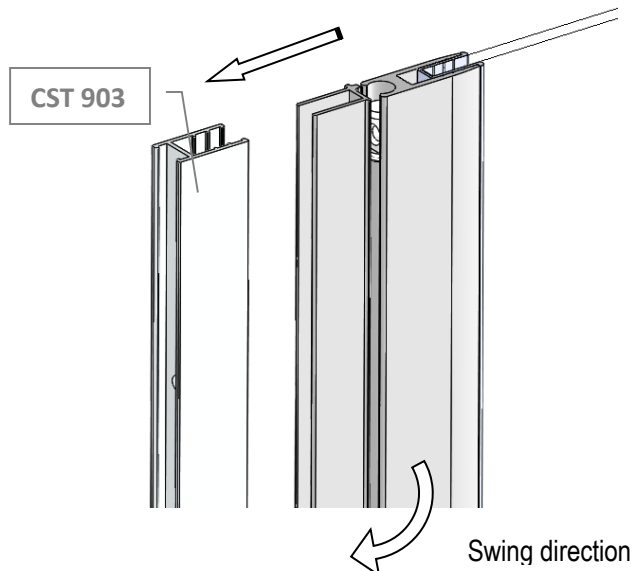
**STEP 7. INSTALL DOOR ASSEMBLY**



**DOOR ASSEMBLY**

➤ Insert door hinge into Wall Jamb CST 903.

**Note:** Door swings toward the outside of enclosure.

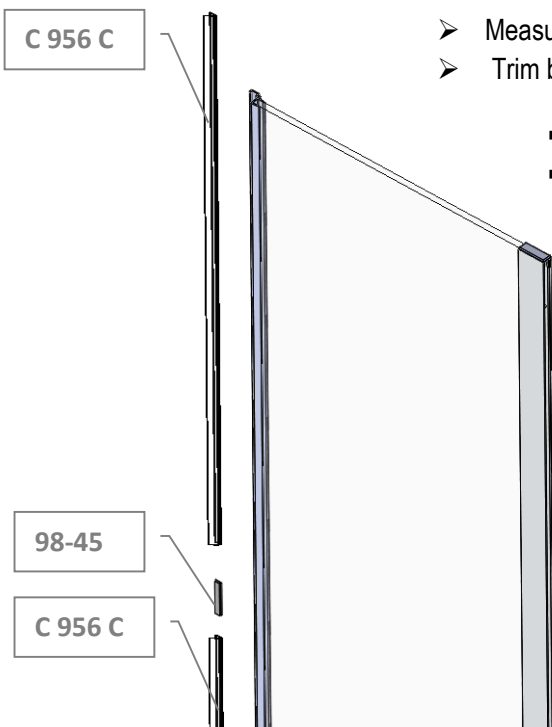
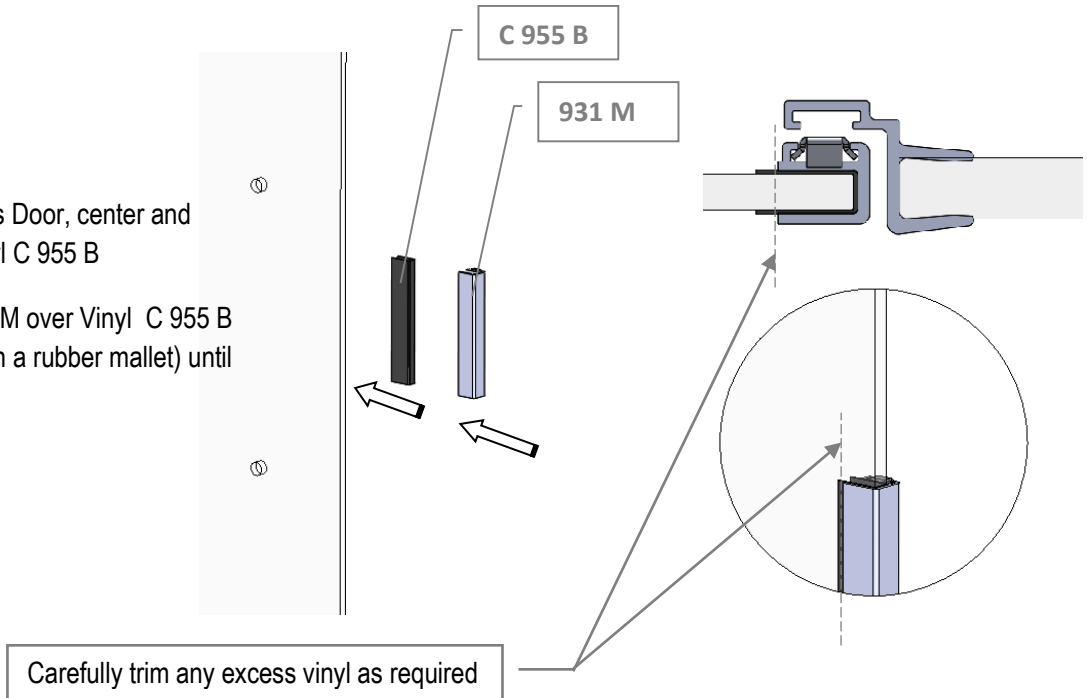




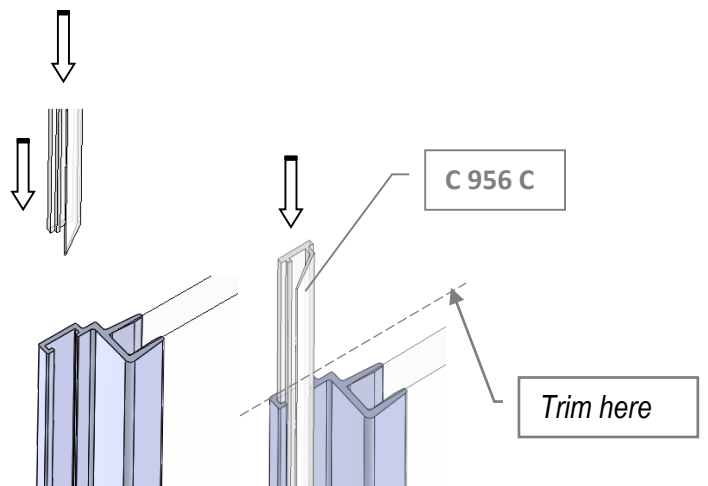
**STEP 8. INSERT DOOR/STRIKE POST VINYL & MAGNET**

On strike edge of glass Door, center and install Door Strike Vinyl C 955 B

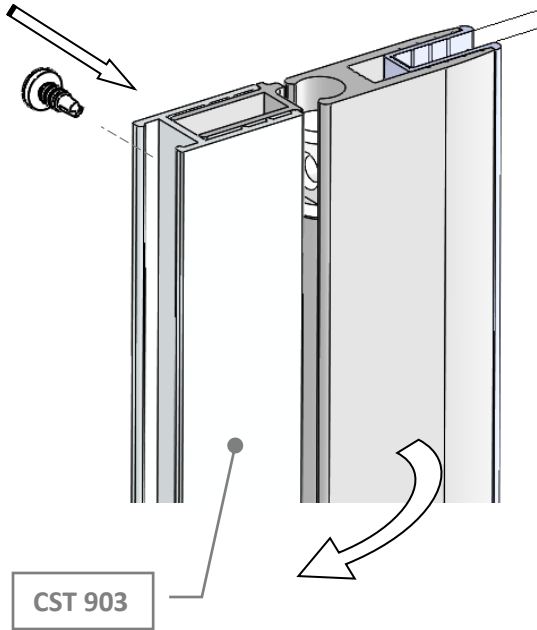
Place Door Strike 931 M over Vinyl C 955 B and tap into place (with a rubber mallet) until Strike is firmly seated.



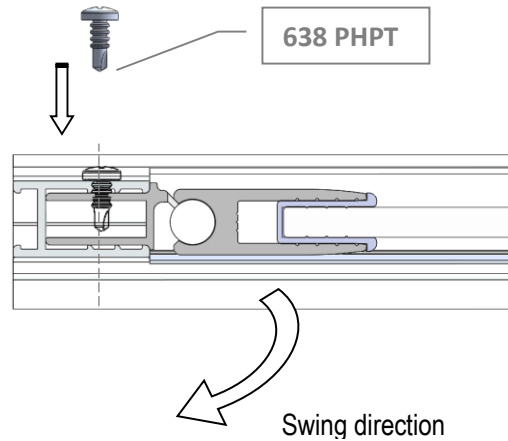
- Measure from bottom of Vinyl Strike Post to the bottom of the Door Strike (931 M).
- Trim bottom Seal Vinyl C956 C with **1/2" more** than measurement obtained.
- Insert trimmed Seal Vinyl and Magnet Strip (98-45) into Vinyl Strike Post.
- Finally, insert remaining Seal Vinyl and trim top excess as required.



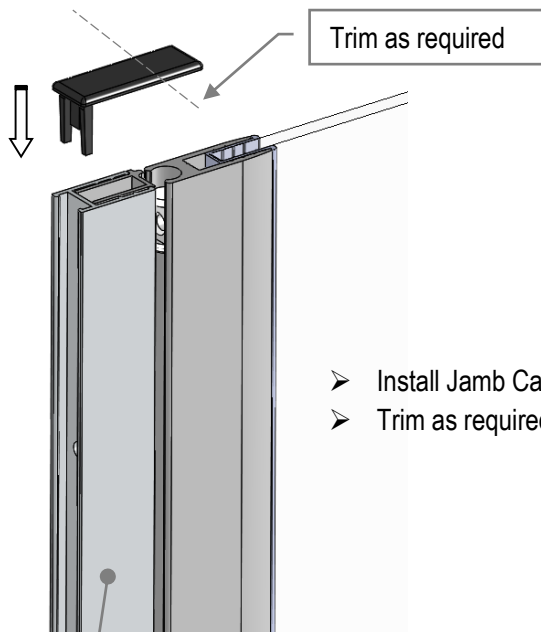
**STEP 9. SECURE IN PLACE DOOR ASSEMBLY**



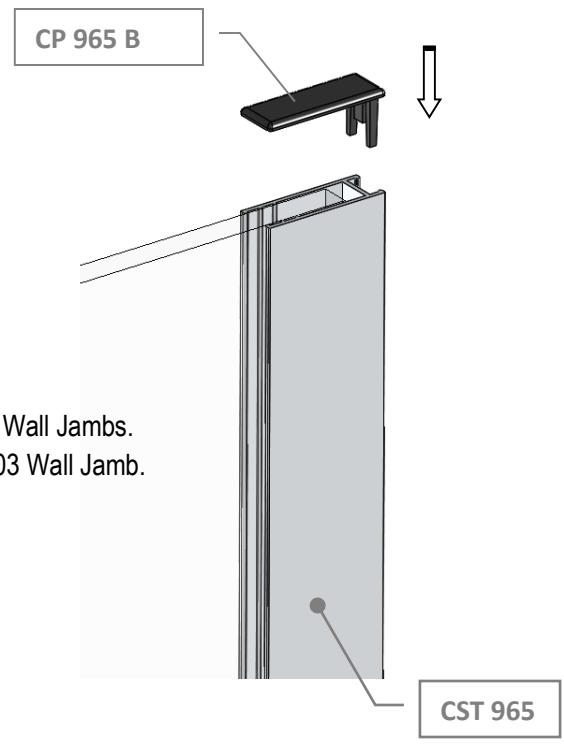
- When satisfied with door operation, secure Hinge Post to the Wall Jamb (CST 903) using three 638PHPT Adjustment Screws.
- From the inside of enclosure install three (3) Adjustment Screws about 3” from top/bottom and center.



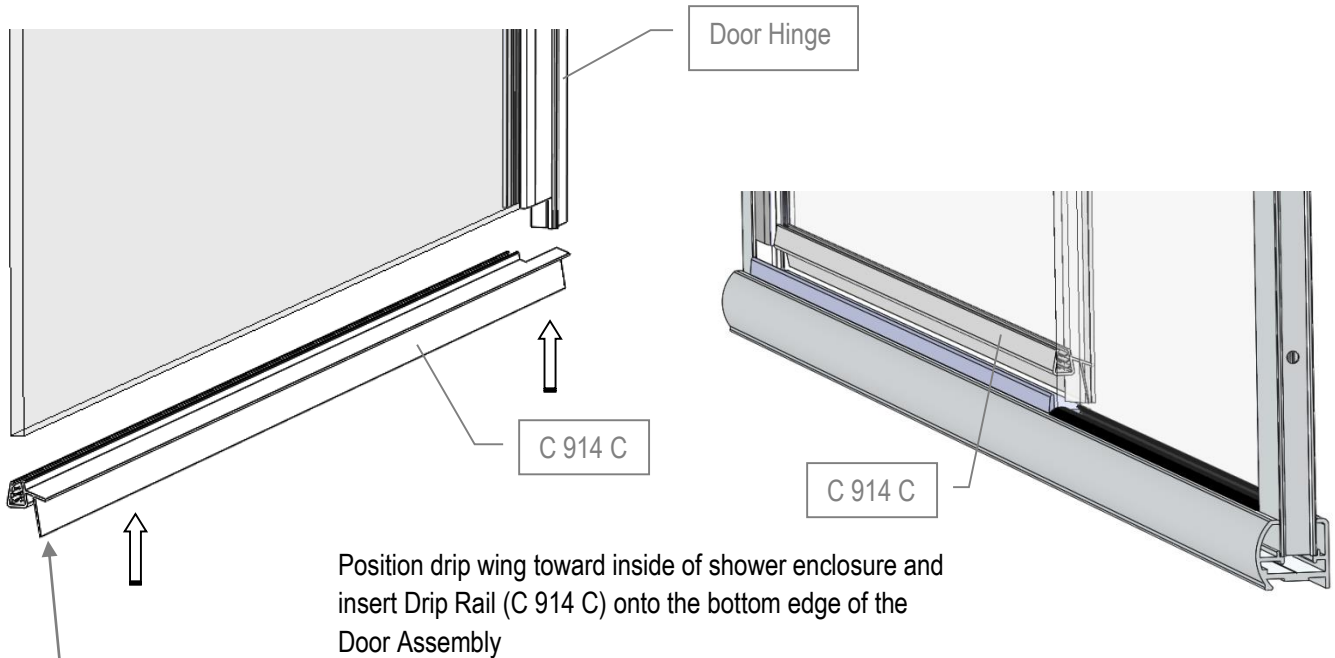
**STEP 10. INSTALL JAMB CAPS**



- Install Jamb Caps (CP 965) on both Wall Jamb.
- Trim as required one end for CST 903 Wall Jamb.



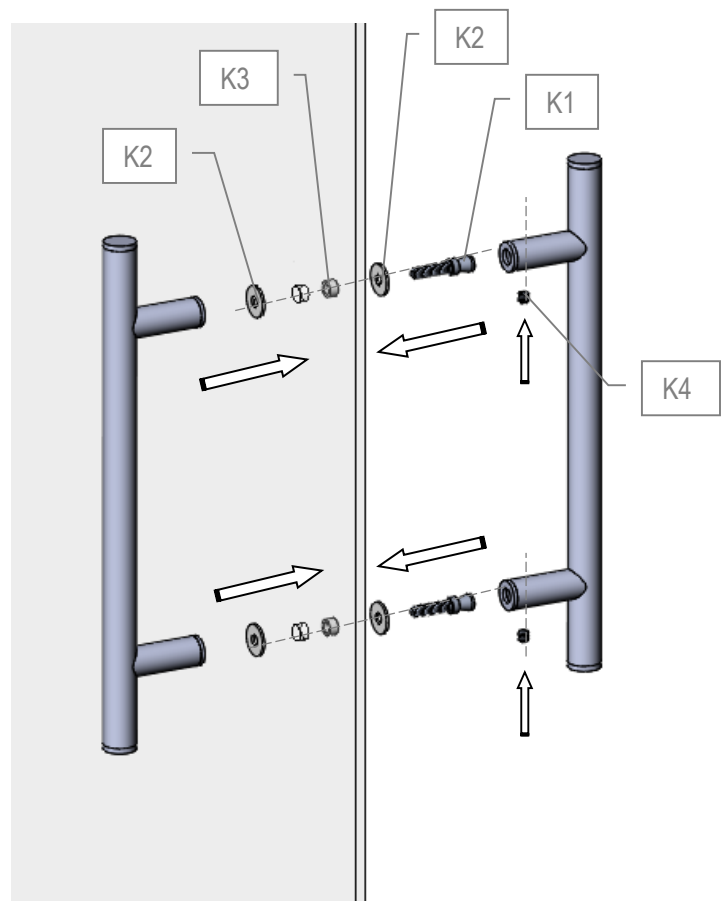
**STEP 11. INSERT DRIP RAIL**



Trim as required and notch 9/16" to fit into Vinyl Strike C 180 C when door is closed

**STEP 12. INSTALL LADDER PULL**

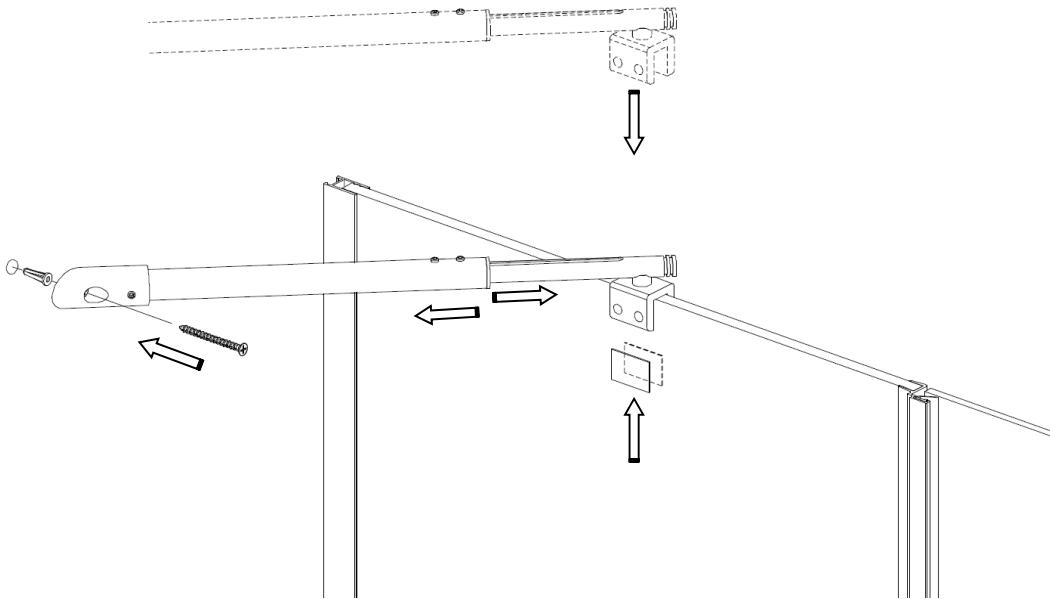
- Slip a Washer (K2) and Sleeve Bushing (K3) onto the Ladder-Pull Screw (K1).
- Insert into the glass hole from the inside of enclosure, attach the other Washer (K2) and outside Ladder-Pull Handle.
- Hand tighten the screw and repeat steps for bottom section.
- Take inside Handle and insert into Ladder-Pull Screw (K1) heads. Finish installation by tightening down the two set screws (K4).



**STEP 13. INSTALL SUPPORT BAR (Optional)**

**Note:** Support Bar is included with all LHL 5775 Models. It is not included on LHL 4575 Models.

- Position the bracket over the top of Stationary Panel using the vinyl pads, protecting the glass on both sides.  
Note: The further from the wall the more secure the panel will be.
- Adjust bar position and mark hole location.
- Insert plastic screw anchor and secure Support Bar to the wall using the hardware provided.
- Lock in place adjusted bar using the two set screws located on top of the bar.



**STEP 14. LEAK PROOF YOUR INSTALLATION**

- To complete the installation, run a bead of clear mildew resistant caulking around outside perimeter of the unit. Follow manufacturer's instructions before using shower.