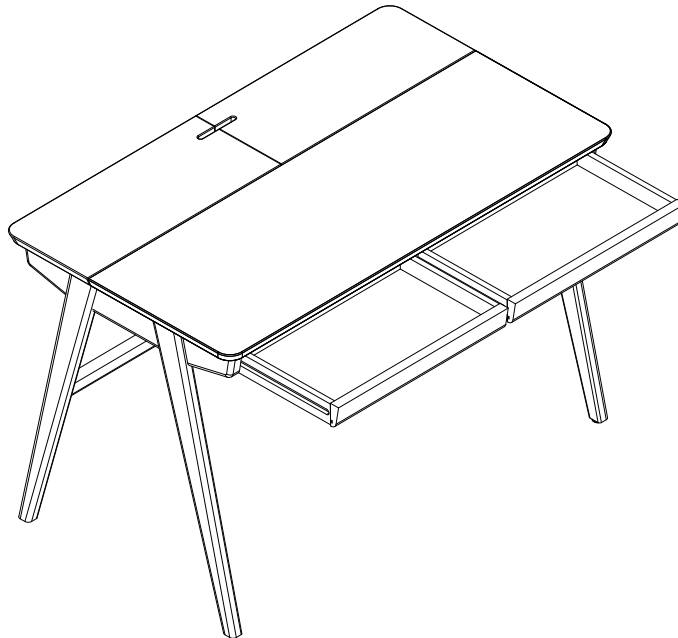
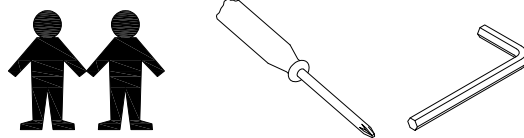

Thank you for purchasing this Oxford desk. Please read the instructions and warnings carefully before use to ensure safe and satisfactory operation of this product.



Pre-assembly preparation

Please ensure instructions are read in full before attempting to assemble this product.

Necessary Tools



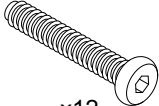

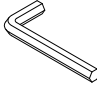
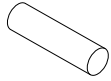
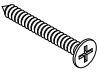
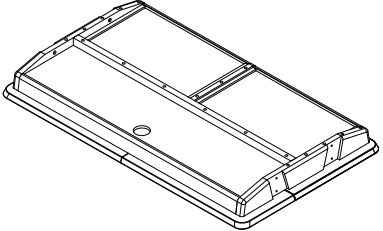


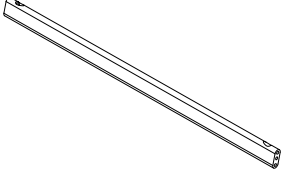
Please check the pack contents before attempting to assemble this product. A full checklist of components is given in this leaflet. If any components are missing, please contact your retailer.

Assemble as near as possible to the point of use. **TAKE CARE WHEN LIFTING THIS HEAVY PRODUCT** to avoid personal injury and/or damage to the product. **THIS IS A TWO PERSON ASSEMBLY.**

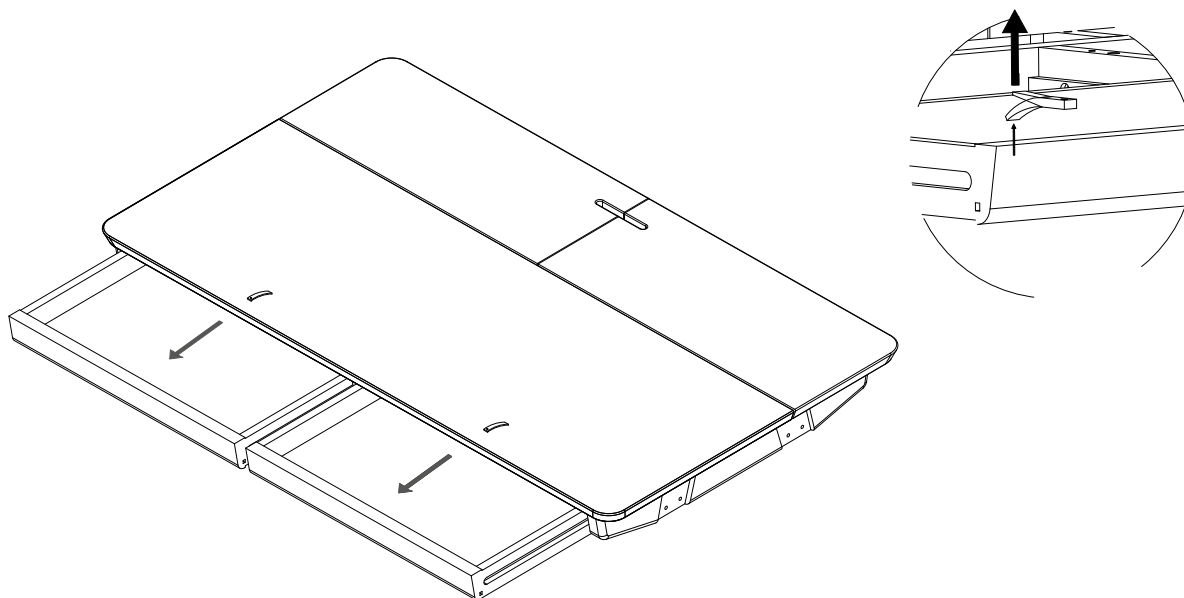
The product takes approximately 45 minutes to assemble. We have included small labels on the edges of panels for identification. Please use these to guide you for greater ease of assembly.

The fittings pack contains **SMALL ITEMS** which should be **KEPT AWAY FROM YOUNG CHILDREN.**

You will need a screwdriver and allen key (supplied) to complete assembly of this product.

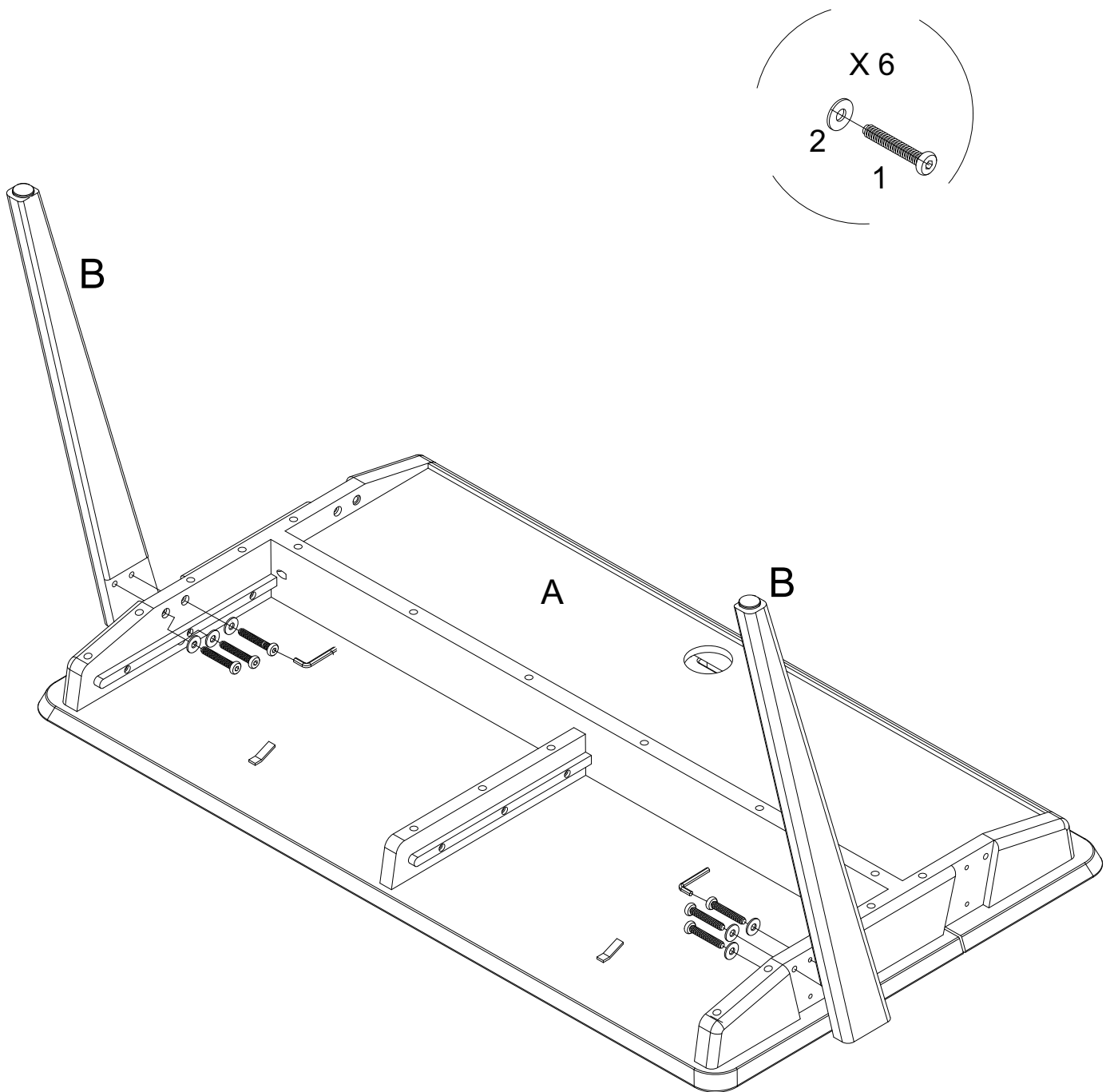
Fittings Checklist		There will be a small quantity (10%) of extra spare fittings included.	
1-bolts  x12	2-flat washers  x12	3-Allen key  x1	4-Wood Dowels  x4
5-screws  x2			
A-Top Assembly x1 	B-Front Leg x2 	C-Back Leg x2 	D- Crossbar x1 

Step by step assembly instructions



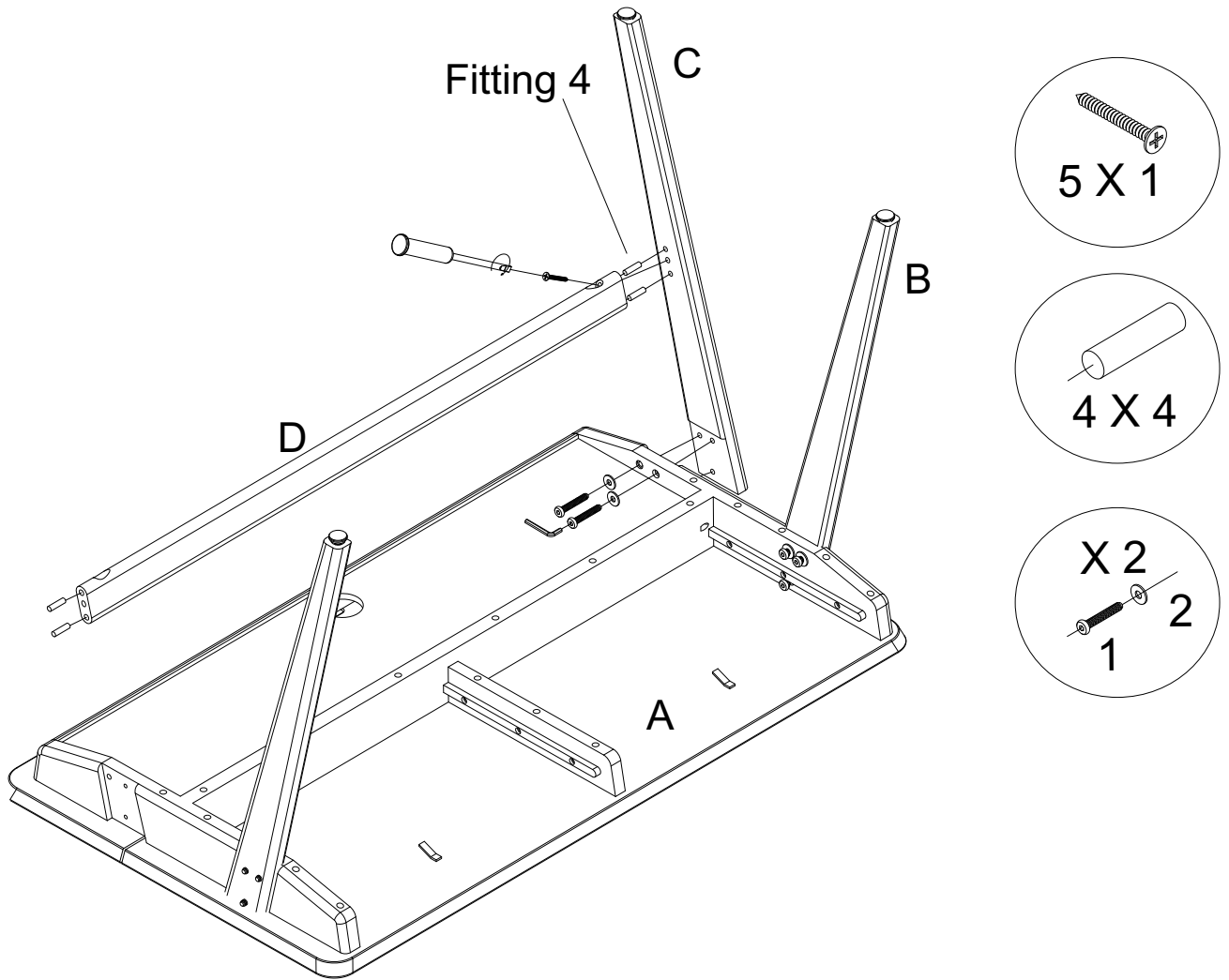
Step 1

Carefully remove the drawers from the top assembly (A) by pressing the drawer stop flat as shown in the detail view.



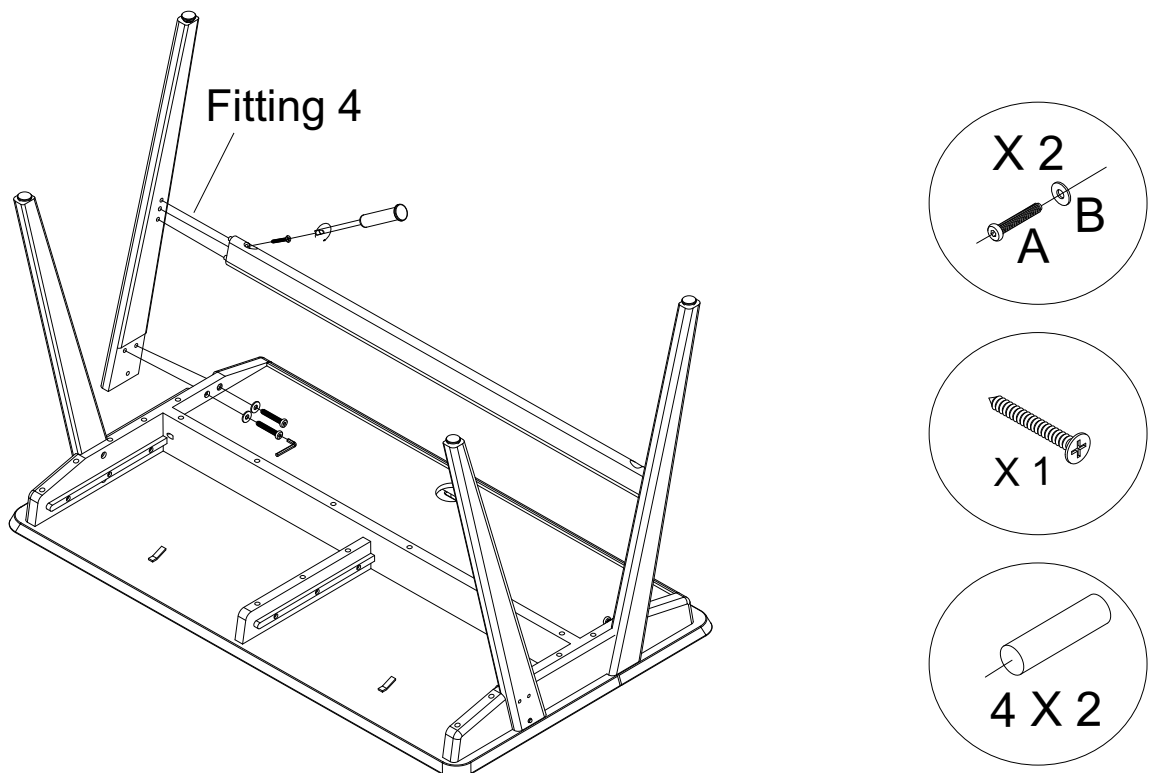
Step 2

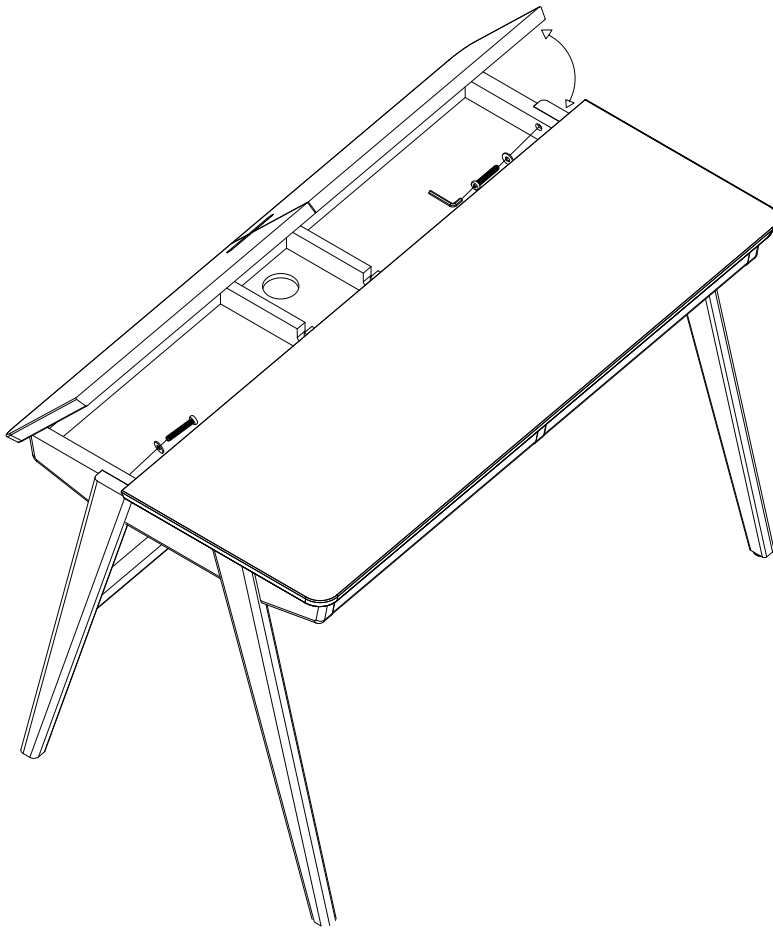
Position the Front legs (B) as shown. Secure the flat washers (fitting 2) and bolts (fitting 1) using the allen key (fitting 3). Ensure all bolts are tightened fully.



Step 3

Position the Back leg (Part C) as shown. Secure the flat washers (fitting 2) and bolts (fitting 1) using the allen key (fitting 3). Ensure the bolts are tightened fully. Insert the wood dowels (fitting 4) into the leg (Part C). Insert the screw (fitting 5) into the crossbar (D). Carefully locate and support the crossbar (D) onto the back leg (Part C) and secure using the screwdriver (fitting 1)

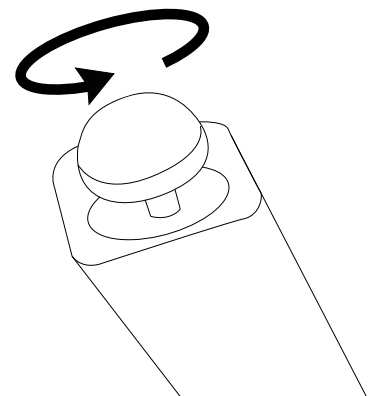
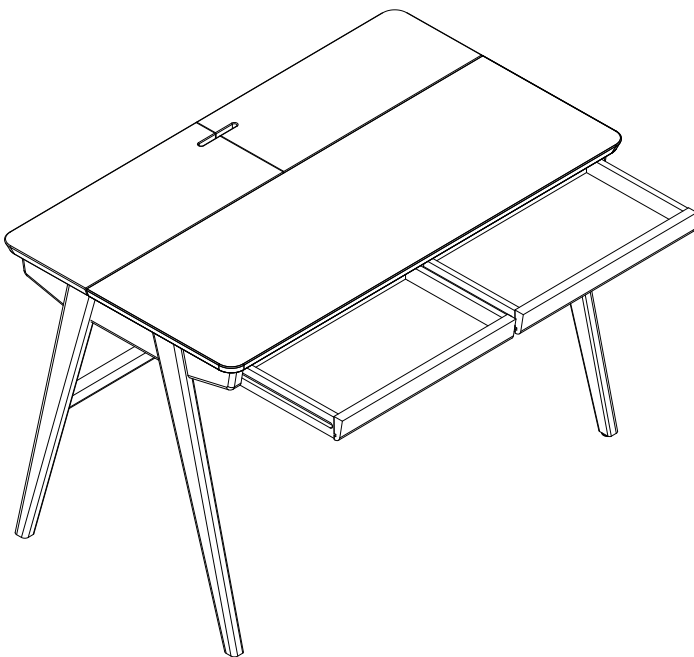




1 2
X 2

Step 5

With 2 people carefully lift and place the desk on its feet. Lift up the lids and secure the flat washers (fitting 2) and bolts (fitting 1) using the allen key (fitting 3). Ensure all bolts are fully tightened. Ensure all fittings are secure and tightened periodically.



Step 6

Finally, replace the drawers. If necessary adjust the feet to ensure the desk is level before use, as shown in the diagram.

Care and Maintenance

Wood Furniture

Wood displays different grain patterns depending on which way they cut - for example, the 'medullary ray' which can appear on oak furniture is a mark of good quality timber - these are just characteristics of the natural beauty of the wood. Some furniture is also deliberately aged and rustic.

Wood veneers also allow distinctive patterns to be created on flat surfaces, such as table tops and drawer fronts by the way the slivers are arranged.

All timber surfaces will change colour and mellow over time. New furniture will initially vary in shade from items that have been previously purchased.

How to care for your wood furniture

Furniture with a hard lacquer, wax polish or painted surface should be dusted with a dry cloth.

Spray polishes are best avoided as they contain silicones which may spoil the furniture's surface by building up over time.

Make sure all surfaces are protected from heat and liquids by mats and coasters. Wipe up spills immediately and ensure that a mat or pad is placed under paper if you are writing.

Our furniture will endure most temperatures in the home but it is best to avoid placing furniture next to heat sources such as radiators or fires. Be particularly careful with solid wood as the lack of humidity caused by central heating can cause damage such as warping

Safety Instructions

General warnings:

Never drag furniture when moving it, always lift it.

Periodically check all fixings to ensure none have come loose and re-tighten where necessary.

Please take care when handling or moving the furniture as careless handling may cause damage or injury.

Furniture can be dangerous if incorrectly installed. Assembly should be carried out by a competent person. No liability will be accepted for damage or injury caused by incorrectly installed or assembled furniture.

Specific warnings for heavy items:

It is recommended that before moving heavy objects to a new location they are completely dis-assembled to avoid personal injury or damage to the furniture. Please be careful to retain all fittings when doing this.

PLEASE KEEP THESE INSTRUCTIONS FOR FUTURE REFERENCE