



Dream on Me Inc.

MODEL: #669

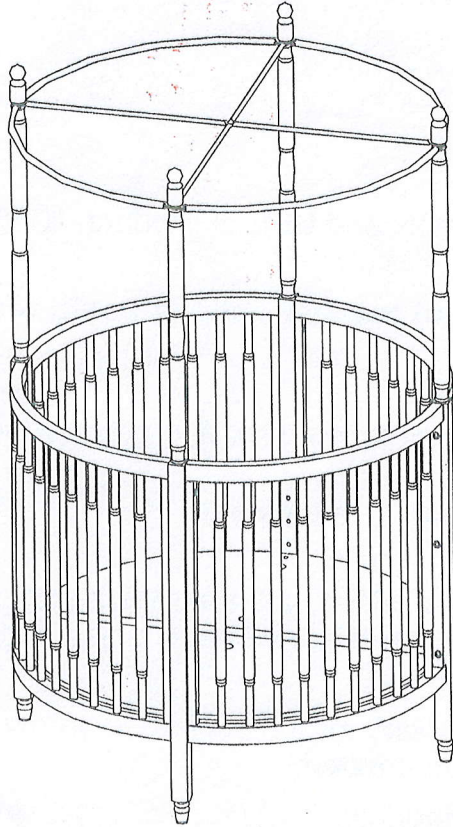
170 Circle Drive North
Piscataway NJ 08854
TEL: 732-748-1300
FAX: 732-564-1141
MADE IN CHINA

WARNING:

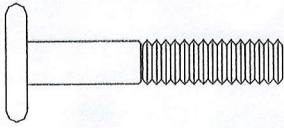
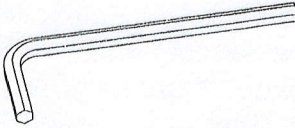

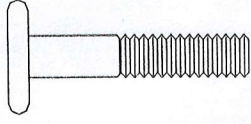
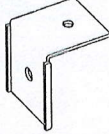
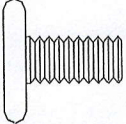

- Read all instructions BEFORE assembly and USE of product. **KEEP INSTRUCTIONS FOR FUTURE USE.**
- Failure to follow these warnings and the instructions could result in serious injury or death.
- Infants can suffocate
 - In gaps between a mattress too small or too thick and product sides
 - On soft beddingNEVER add a mattress, pillow, comforter, or padding.
See mattress support for warnings.
- When child is able to pull to standing position, set mattress/base to lowest adjustment position and remove bumper pads, large toys, and other objects that could serve as steps for climbing out.
- Always provide the supervision necessary for the continued safety of your child. When used for playing, never leave child unattended.
- Never use a water mattress with this product.
- Check fasteners periodically for tightness. Do not over tighten, this may cause distortion or breakage.
- Check this product for damaged hardware, loose joints, loose bolts or other fasteners, missing parts or sharp edges before and after assembly and frequently during use. Do not use crib if any parts are missing, damaged or broken. Contact your dealer or write to Dream on Me Inc. for replacement parts and instructional literature if needed. Do not substitute parts.
- When child begins to climb out or reaches the height of 35 inches, the crib shall no longer be used.
- Do not place crib near window where cords from blinds or drapes may strangle a child.
- Never use plastic shipping bags or other plastic film as mattress covers because they can cause suffocation.
- If refinishing, use a non-toxic finish specified for children's products or no lead paint.
- **Any mattress used in this crib must be at least 41-1/2" in diameter with a thickness not exceeding 6", the maximum gap between mattress and inside of crib border/edge should be no more than 1 inch.**
- Daily check that the crib mattress support is securely attached to each of the post.
- Infant can suffocate on soft bedding. Never place additional padding under an infant.
- To reduce the risk of SIDS, pediatricians recommend healthy infants be placed on their backs to sleep, unless otherwise advised by your physician.
- Strings can cause strangulation! Do not place items with a string around a child's neck, such as hood strings or pacifier cords. Do not suspend strings over a crib or attach strings to toys.

ASSEMBLY INSTRUCTION

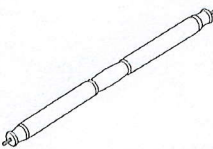
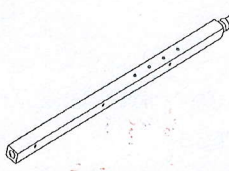

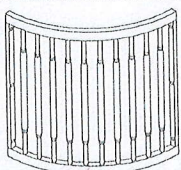
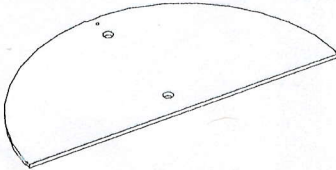
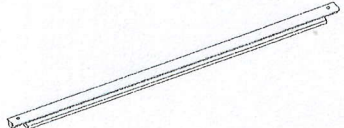
THE FINAL ASSEMBLED CRIB WILL LOOK LIKE THIS:



CONNECTION HARDWARE

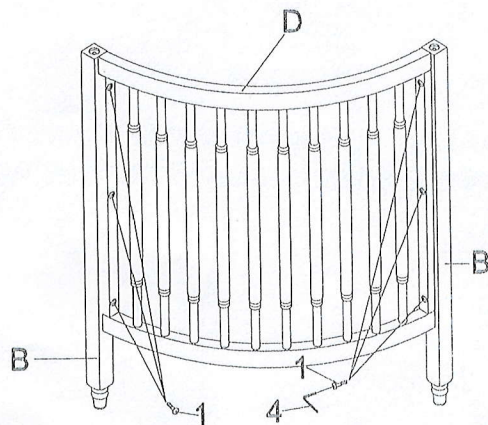
<p>1</p> 	<p>4</p> 	<p>7</p> 
<p>ϕ 1/4" \times 1 1/2" BOLTS 24PCS</p>	<p>ALLEN WRENCH 1PC</p>	<p>CANOPY CENTER BAR 2PCS</p>
<p>2</p> 	<p>5</p> 	
<p>ϕ 1/4" \times 1" BOLTS 4PCS</p>	<p>FLOOR SUPPORT 4PCS</p>	
<p>3</p> 	<p>6</p> 	
<p>ϕ 1/4" \times 1/2" BOLTS 4PCS</p>	<p>CANOPY CIRCULAR BAR 4PCS</p>	

PARTS LIST

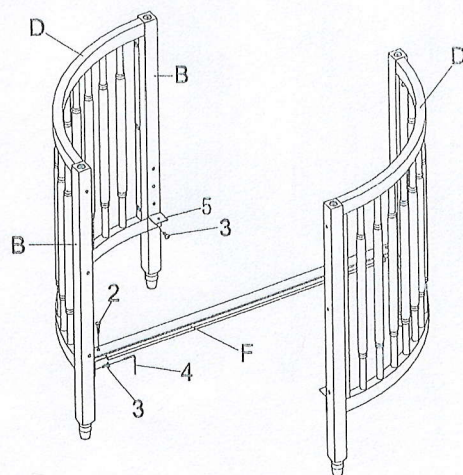
<p>A</p> 	<p>B</p> 	<p>C</p> 	<p>D</p> 
<p>CANOPY POST 4PCS</p>	<p>CRIB POST 4PCS</p>	<p>FINIAL KNOB 4PCS</p>	<p>STATIONARY SIDE PANEL 4PCS</p>
<p>E</p> 		<p>F</p> 	
<p>FLOOR BOARD 2PCS</p>		<p>CROSS BAR 1PC</p>	

ASSEMBLY PROCEDURE:

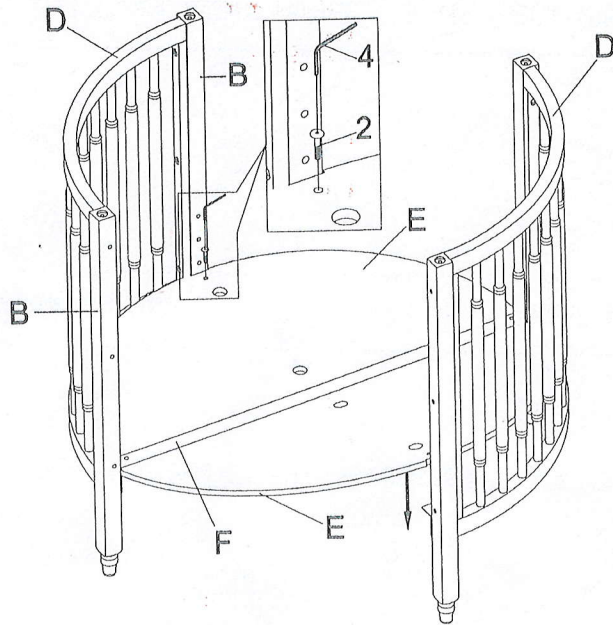
1. ATTACH STATIONARY SIDE(D) AND CRIB POST(B) USING THE BOLT(1) & ALLEN WRENCH(4).



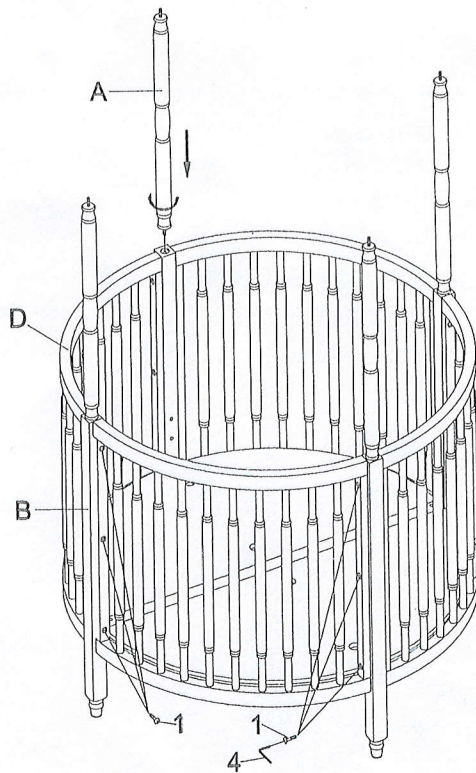
2. ATTACH THE SUPPORT(5) ON THE CRIB POSTS(B) USING THE BOLT(3) & ALLEN WRENCH(4), SCREW THE CROSS BAR(F) ON THE FLOOR SUPPORT BY USING THE BOLT(2).



3. INSERT THE FLOOR BOARD(E) INTO THE CROSS BAR(F) AND USE THE BOLT(2) TO TIGHT THE FLOOR BOARD ON ANOTHER FLOOR SUPPORT(7).



4. ATTACH THE STATIONARY SIDE PANEL(D) AS SHOWN IN STEP 1. AND INSERT THE CANOPY POST(A).
WARNING: DO NOT OVER TIGHTEN THE SCREW. IT MAY STRIP THE WOOD POST (B).



5. INSERT THE CANOPY BARS (6&7) AND FINIAL (C) .

WARNING: DO NOT OVER TIGHTEN THE FINIAL. IT MAY STRIP THE WOOD.

