

Dream On Me Inc.  
125 Helen Street  
S.Plainfield NJ 07080  
TEL: 908-791-0555  
FAX: 908-791-1809



**ASSEMBLY INSTRUCTIONS**

**ITEM NO: 660**

Follow warnings on all products in a crib .  
Adult assembly required.

Small parts may present choking hazard prior to assembly.

Enclosed please find simple step-by-step instructions to help you quickly assemble your products. Before you begin we recommend that you following the steps below:

1. Please read the instructions thoroughly.
2. Identify all parts and hardwares
3. You will need the following tools:

Philips head screw driver

Flat head screw driver

Hammer

**Do Not Use Power Drills or Drivers**

To protect your parts during assembly please place them on a soft surface.

To clean surface use only water on a damp cloth. Do not use window cleaners or cleaning abrasives as it will scratch the surface and could damage the protective coating.



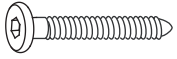


# WARNING !

- Failure to follow these warnings and instruction could result in serious injury or death.
  - Read all instructions before assembling crib, keep instructions for future use.
  - Upon completion of assembly be sure all screws, bolts and fastening devices have been securely tightened. A frequent check should be made.
  - Never use this product if there are any loose or missing fasteners, loose joints, broken parts, or torn mesh/fabric. check before assembly and periodically during use.  
Contact DREAM ON ME for replacement parts and instructional literature if needed.
  - Never substitute parts, the product including side rails, must be fully erected prior to use.
  - Discontinue use of the product when child is able to climb out or reaches the height of 35in (900mm).
  - Never place product near window where cords from blinds or drapes can strangle a child.
  - When child is able to pull to standing position, set mattress/base to lowest adjustment position and remove bumper pads, large toys, and other objects that could serve as steps for climbing out. A child can trap parts of the body or clothing on loose fasteners.
  - Never use plastic shipping bag or other plastic film as mattress covers not sold and intended for that purpose, they can cause suffocation.
  - CAUTION: Any mattress used in this crib must be at least 27-1/4 inches (690mm) by 51-5/8 inches (1310mm), with a thickness not exceeding 6 inches (150mm), the dimensions of the mattress shall be taken from seam to seam or edge to edge where appropriate.
  - Never use a water mattress with this product.
  - Strings can cause strangulation! Never place items with a string around a child's neck, such as hood strings or pacifier cords. Never suspend strings over product or attach strings to toys.
  - Infants can suffocate in gaps between a mattress too small or too thick and product sides, on soft bedding never add a mattress, pillow, comforter or padding.
  - To reduce the risk of SIDS, pediatricians recommend healthy infants be placed on their back to sleep, unless otherwise advised by your physician.
  - If refinishing, use a non-toxic finish specified for children's products.
  - Infants can suffocate on soft bedding.
  - Never add a pillow or comforter.
  - Never place additional padding under an infant.
  - To help prevent strangulation tighten all fasteners.
  - A child can trap parts of the body or clothing on loose fasteners.
  - Follow warnings on all products in a crib.
- See head panel & mattress support of the product for warnings.  
Replace teething rail if damaged, cracked or loose.

MADE IN CHINA

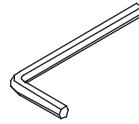
# CONNECTION HARDWARE



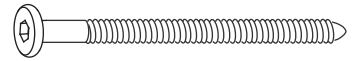
a: 1-3/4" Allen head bolt (3 pcs)



b: Wood dowels (14 pcs)



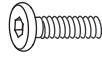
c: Allen wrench (1 pc)



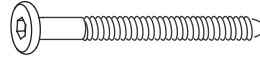
d: 3-3/8" Allen head bolt (8 pcs)



e: Barrel nuts (20 pcs)



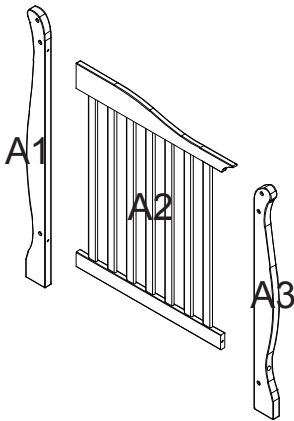
f: 3/4" Allen head bolt (4 pcs)



g: 2-1/2" Allen head bolt (12 pcs)

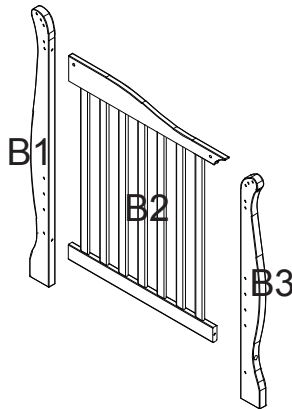
# PARTS ENCLOSED IN CARTON

A: Left head board (1 pc)

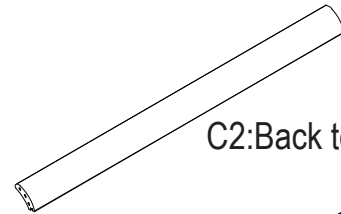


A1: Left back leg (1 pc)  
A2: Left board (1 pc)  
A3: Left front leg (1 pc)

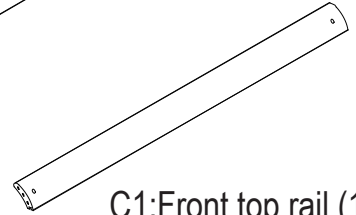
B: Right head board (1 pc)



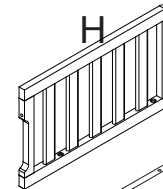
B1: Right back leg (1 pc)  
B2: Right board (1 pc)  
B3: Right front leg (1 pc)



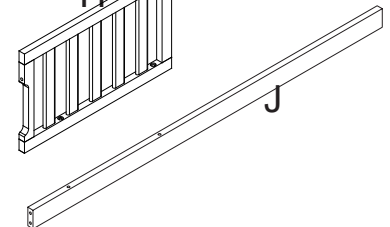
C2: Back top rail (1 pc)



C1: Front top rail (1 pc)



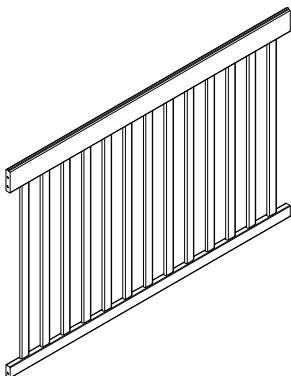
H: Rail (1 pc)



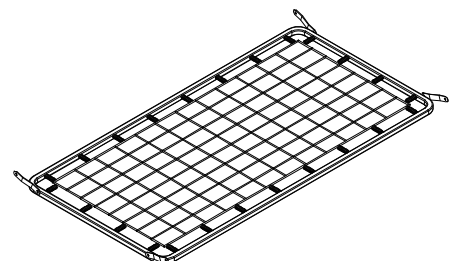
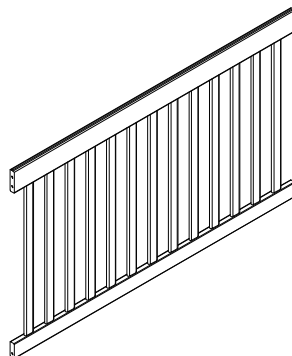
J: The bottom bar (1 pc)

G: Mattress support (1 pc)

E: Back rail bottom (1 pc)



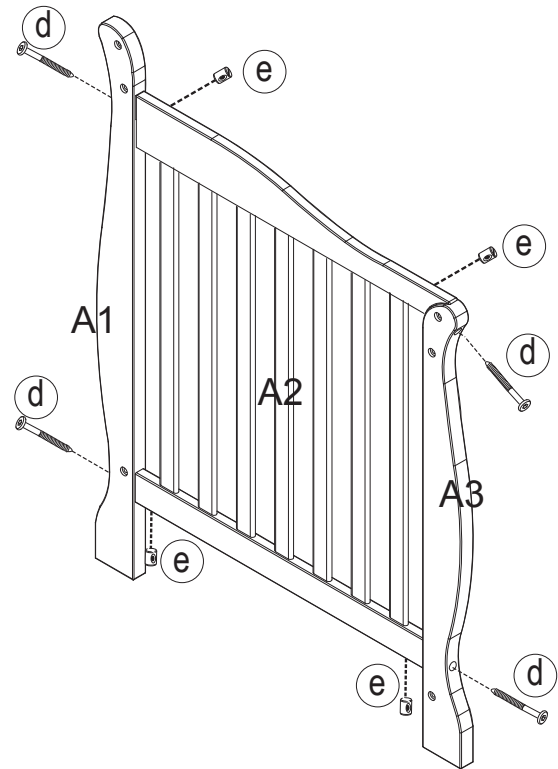
F: Front rail bottom (1 pc)



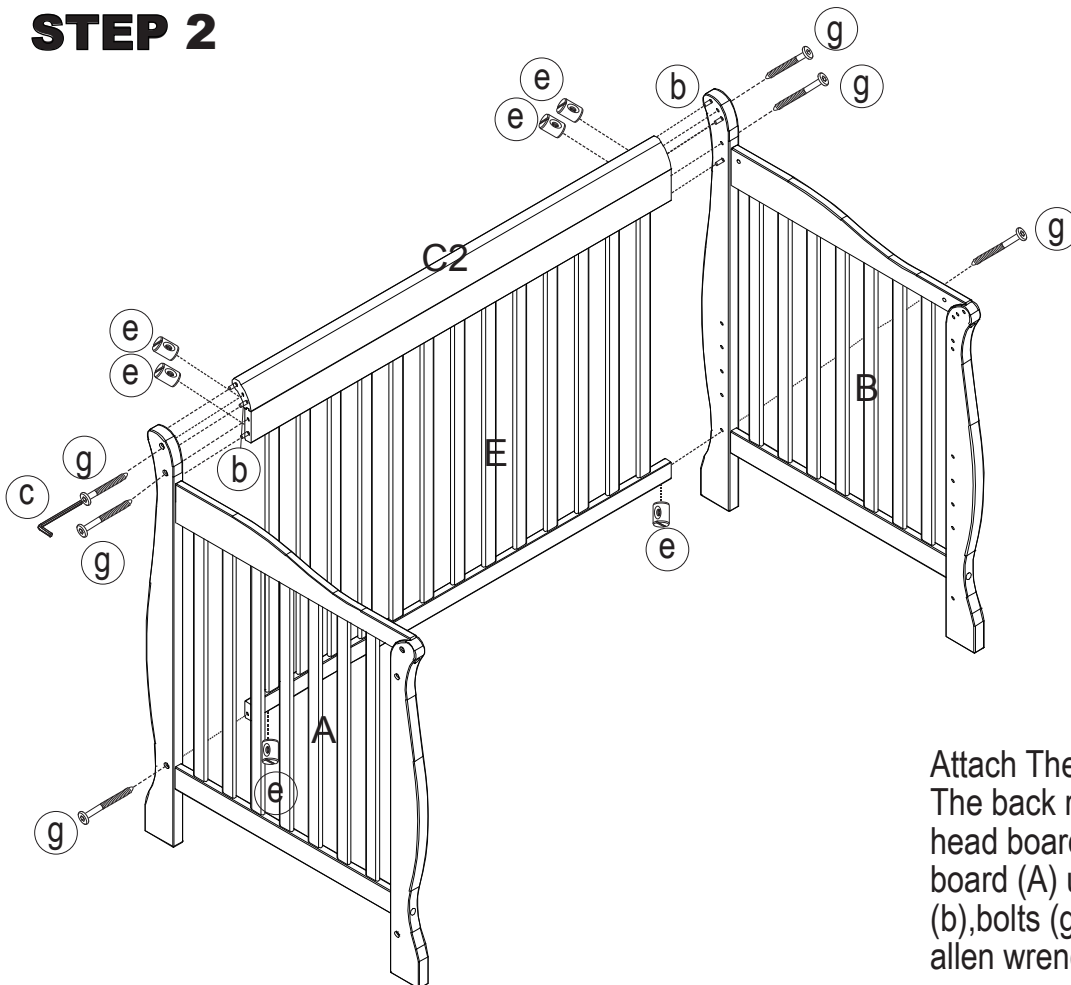
## STEP 1

Attach left back leg (A1) and left front leg (A3) to left board (A2) using bolts (d) and barrel nuts (e) .

Assemble right head board use the same way .



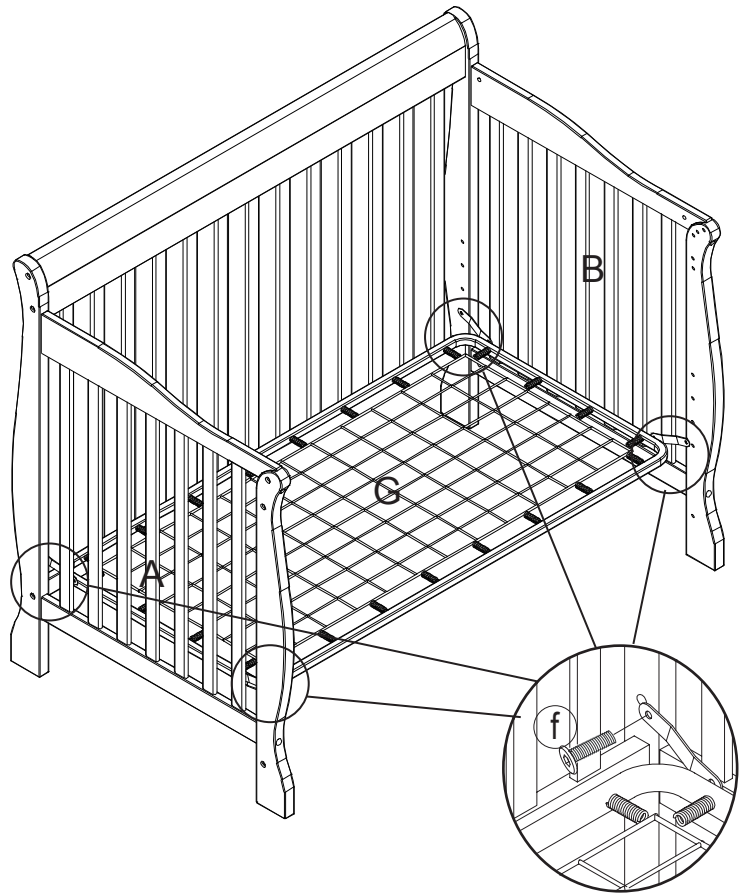
## STEP 2



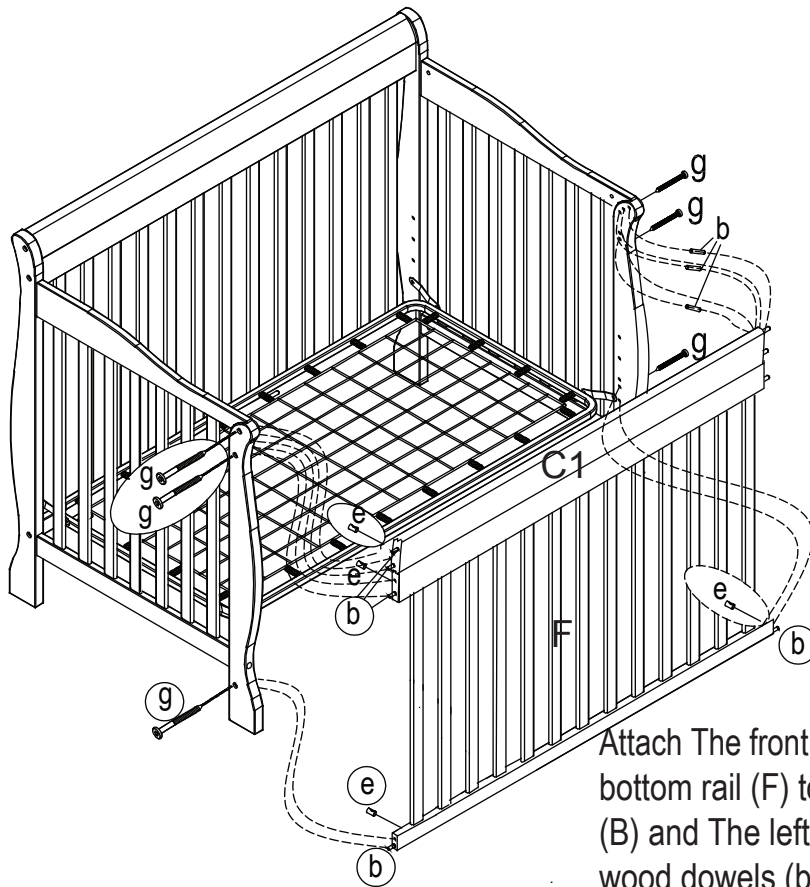
Attach The back top rail (C2) and The back rail bottom (E) to The right head board (B) and The left head board (A) using wood dowels (b),bolts (g),barrel nuts (e) and allen wrench (c) .

### STEP 3

Locate the mattress support (G) with tabs .  
Be sure the smooth side of the mattress support (G) is faced upward .  
Position the tabs of the mattress support(G) to mount to the selected position onto the legs .  
Insert the bolts (f) , through the tabs and into thread inserts , then tighten securely with allen wrench (c) .



### STEP 4



Attach The front top rail (C1) and The front bottom rail (F) to The right head board (B) and The left head board (A) using wood dowels (b),bolts (g),barrel nuts (e) and allen wrench (c) .

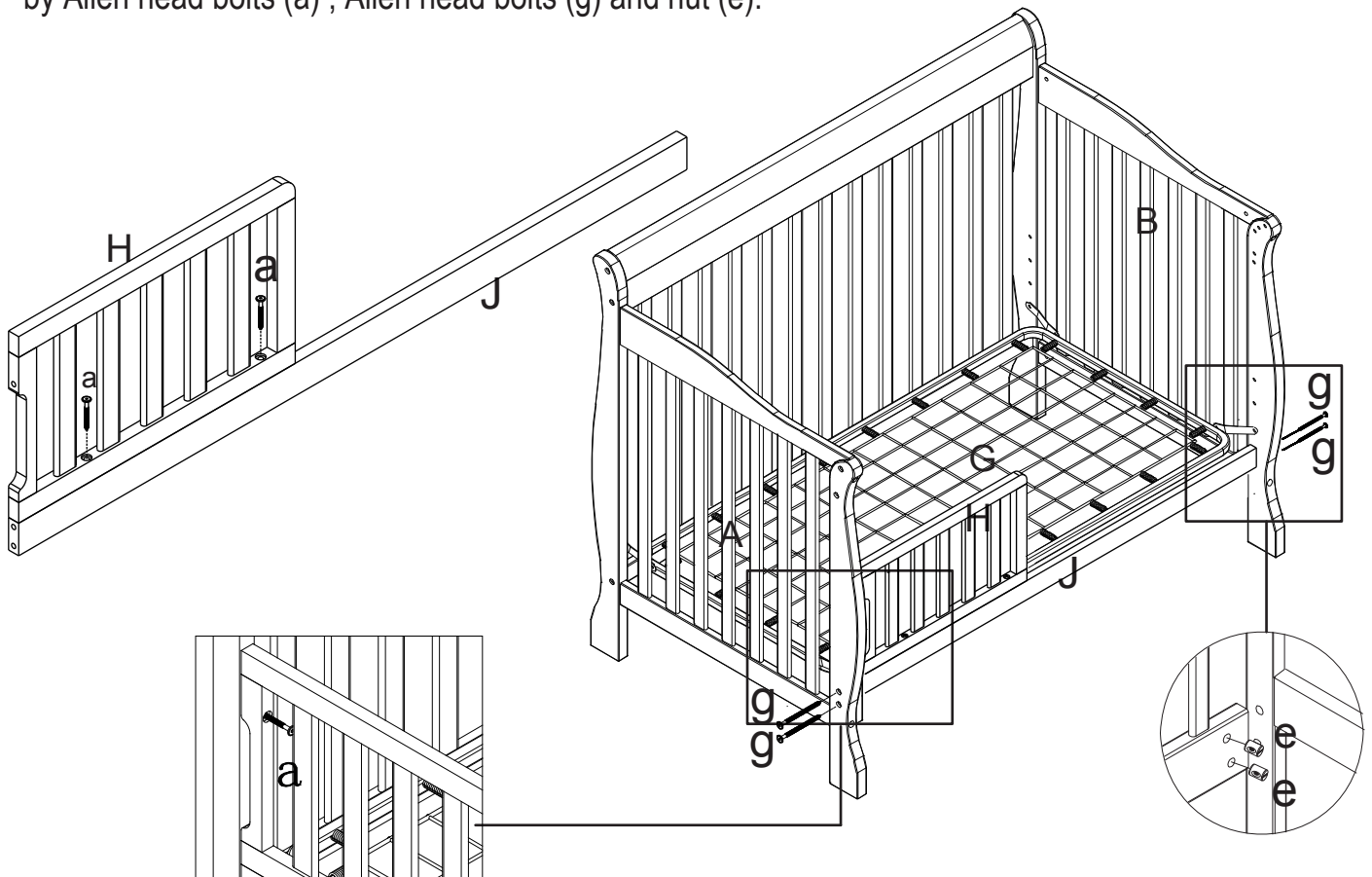
## Converting crib to a toddler bed

Please note that the warning sticker is placed on the cribs to keep parents and caregivers informed it is a requirement by law under CPSC And ASTM.

We do apologize for any inconvenience this may cause you.

You have the option to convert crib to a toddler bed

1. Connect Rail (H) to The bottom bar (J) by Allen head bolts (a) .
2. Remove The front top rail (C1) and The front rail bottom (F) .
3. Install the mattress support (G) in its lowest position.
4. Assemble the Rail (H) and The bottom bar (J) to the left headboard(A) and the right headboard(B) by Allen head bolts (a) , Allen head bolts (g) and nut (e).



### WARNING FOR TODDLER BED USE

Failure to follow these warning and the assembly instructions could result in serious injury or death from entrapment or strangulation. DO NOT place bed near windows where cords from blinds or drapes may strangle a child. DO NOT place items with a string, cord, or ribbon around a child's neck, such as a hood, strings or pacifier cords. DO NOT suspend strings over a toddler bed for any reason.

The mattress intended for use on the bed shall be a full-size crib mattress having the dimensions of 51-5/8" (1310 mm) in length and 27-1/4" (690mm) in width and thickness of 4" (100mm) or a greater thickness as specified by the manufacture. The minimum age of the intended user shall not be less than 15 months and the maximum weight shall not be greater than 50lbs(22.7kgs).

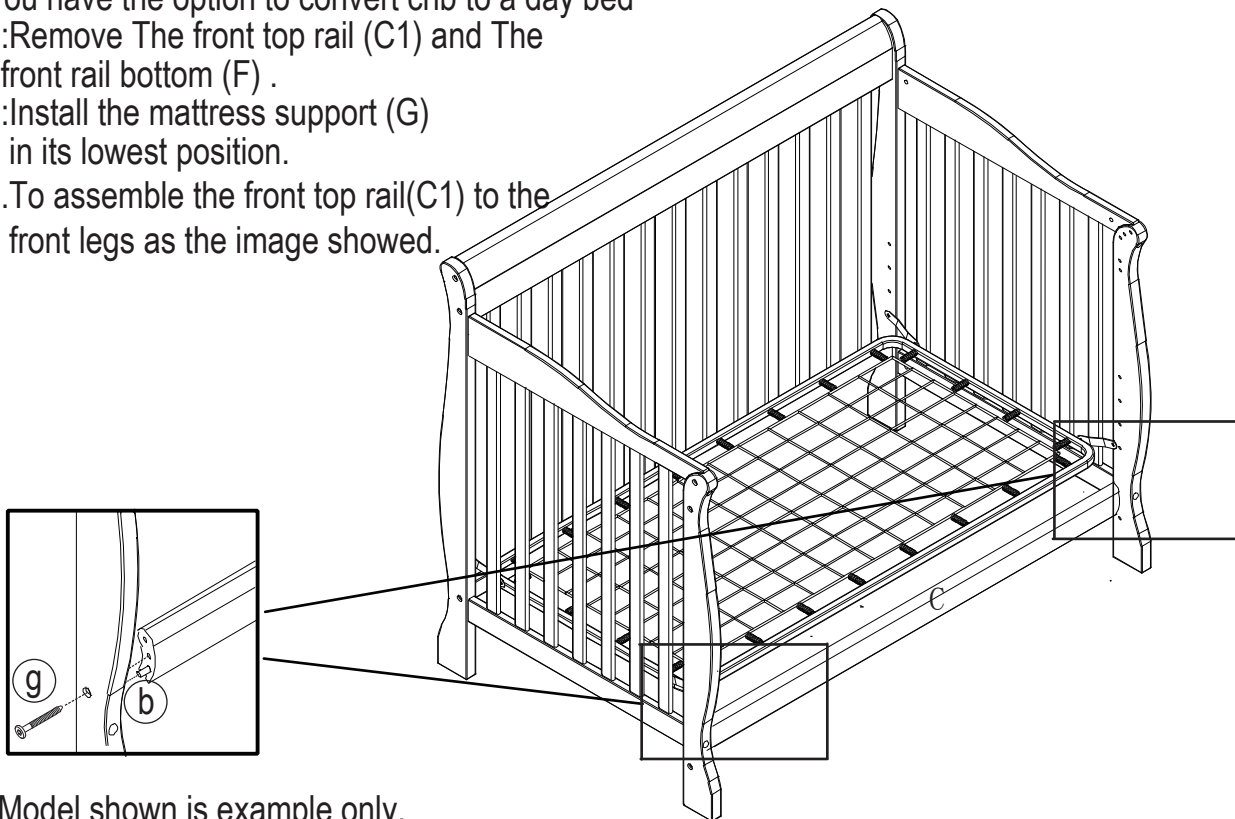
## Converting crib to a day bed

You have the option to convert crib to a day bed

1:Remove The front top rail (C1) and The front rail bottom (F) .

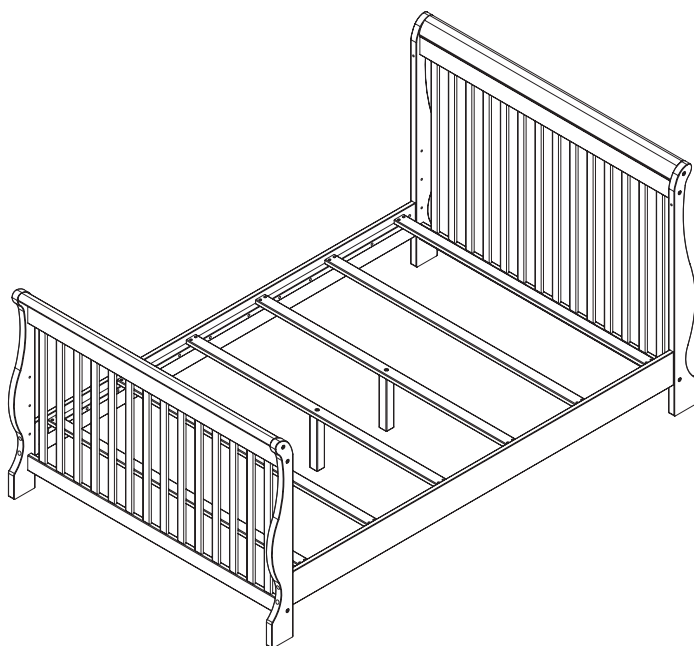
2:Install the mattress support (G) in its lowest position.

3.To assemble the front top rail(C1) to the front legs as the image showed.



Model shown is example only.  
Styles may vary .

## Converting crib to a full size bed I



Conversion kit is sold separately

You have the option to convert crib to a full size bed I

1:Use the front rail as the footboard of full size bed I;

2:Use the back rail as the headboard of full size bed I;

3:Connect the front rail and the back rail to the kits ( legs, long rails,and hardware ) which are not included and sold separately.

## Converting crib to a full size bed II

### PARTS REQUIRED TO COMPLETE STEP



LEFT FOOT PLATFORM  
POST x 1  
NOT INCLUDED



RIGHT FOOT PLATFORM  
POST x 1  
NOT INCLUDED

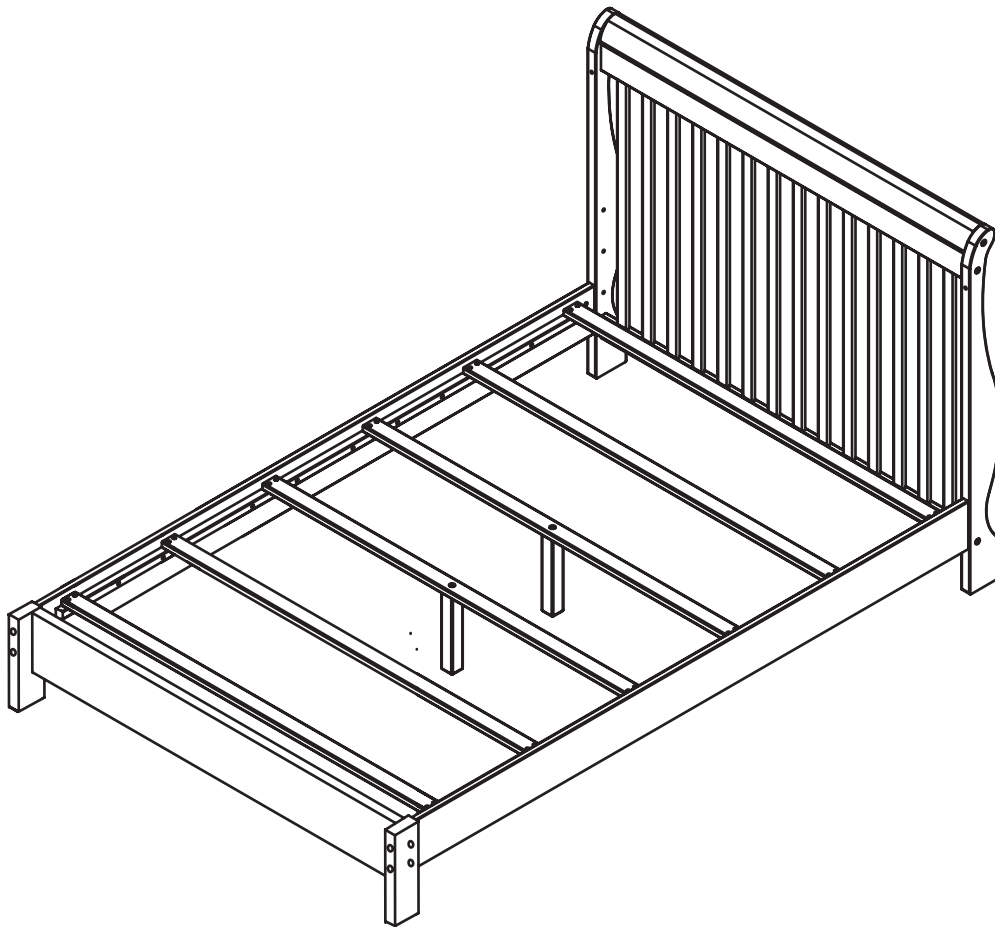


RAIL  
POST x 1  
NOT INCLUDED

### Converting kit is sold separately

You have the option to convert crib to a full size bed II

- 1: Use the back rail as the headboard of full size bed.
- 2: Connect the left foot platform and the right foot platform to the rail which are not included and sold separately.
- 3: Connect the assembled parts and headboard of full size bed to the kits ( legs, long rails, and hardware ) which are not included and sold separately.



Model shown is example only.  
Styles may vary .