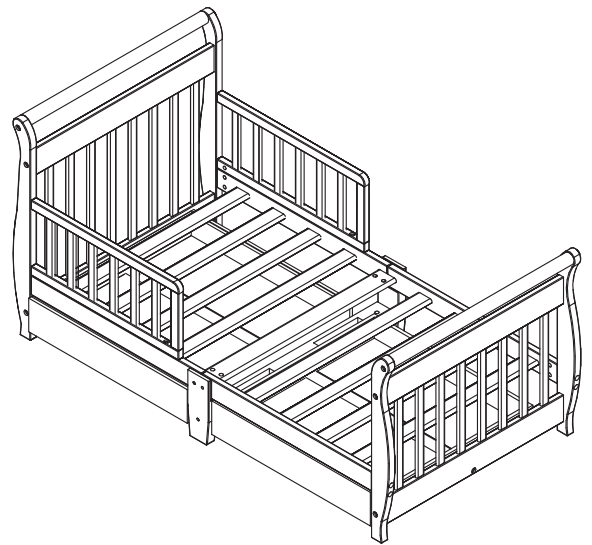




DREAM ON ME INC.
125 HELEN STREET
S. PLAINFIELD NJ 07080
908-791-0555



**DOUBLE BAR TODDLER
BED WITH DRAWER
STYLE NO: 643**

MADE IN CHINA

CAUTION: ANY MATTRESS USED IN THIS TODDLER BED MUST BE AT LEAST 51-5/8 INCHES (131CM) BY 27-1/4 INCHES (69CM) WITH A THICKNESS OF AT LEAST 4 INCHES (10CM) BUT NOT EXCEEDING 5 INCHES (12.5CM). INFANTS CAN SUFFOCATE IN GAPS BETWEEN CRIB SIDES AND A MATTRESS THAT IS TOO SMALL.

⚠ WARNING:

****** KEEP INSTRUCTIONS FOR FUTURE USE ******

READ ALL INSTRUCTIONS BEFORE ASSEMBLY

CAUTION: BEFORE USING THIS TODDLER BED, RECHECK ALL SCREWS TO BE SURE THAT THEY ARE TIGHTENED SECURELY. A PERIODICAL CHECK SHOULD BE MADE TO CONFIRM THAT ALL SCREWS & NUTS REMAIN TIGHT.

DO NOT SUSPEND STRINGS OVER THE TODDLER BED OR ATTACH STRINGS TO TOYS.

DO NOT PLACE THE TODDLER BED NEAR A WINDOW WHERE CORDS FROM BLINDS OR DRAPES CAN STRANGLE A CHILD.

DO NOT TIE PACIFIER, NECKLACES, OR ANY OTHER ITEMS AROUND A CHILD'S NECK OR ON THE PARTS OF TODDLER BED. THIS COULD CAUSE STRANGULATION.

DO NOT ADD A PILLOW, COMFORTER, OR PADDING, INFANTS CAN SUFFOCATE ON SOFT BEDDING.

BEFORE EACH USAGE OR ASSEMBLY, INSPECT THE TODDLER BED FOR DAMAGED HARDWARE, LOOSE JOINTS, MISSING PARTS, OR SHARP EDGES.

DO NOT USE THE TODDLER BED IF ANY PARTS ARE MISSING OR BROKEN. ASK YOUR DEALER OR WRITE TO DREAM ON ME FOR REPLACEMENT OF THE PARTS AND INSTRUCTIONAL LITERATURE IF NEEDED.

DO NOT SUBSTITUTE ANY PARTS.

IF REFINISHING, USE A NON TOXIC FINISH SPECIFIED FOR CHILDREN'S PRODUCTS. TO CLEAN, WASH WITH MIL SOAP AND A DAMP CLOTH.

TO STORE, KEEP IN A COOL, DRY PLACE.

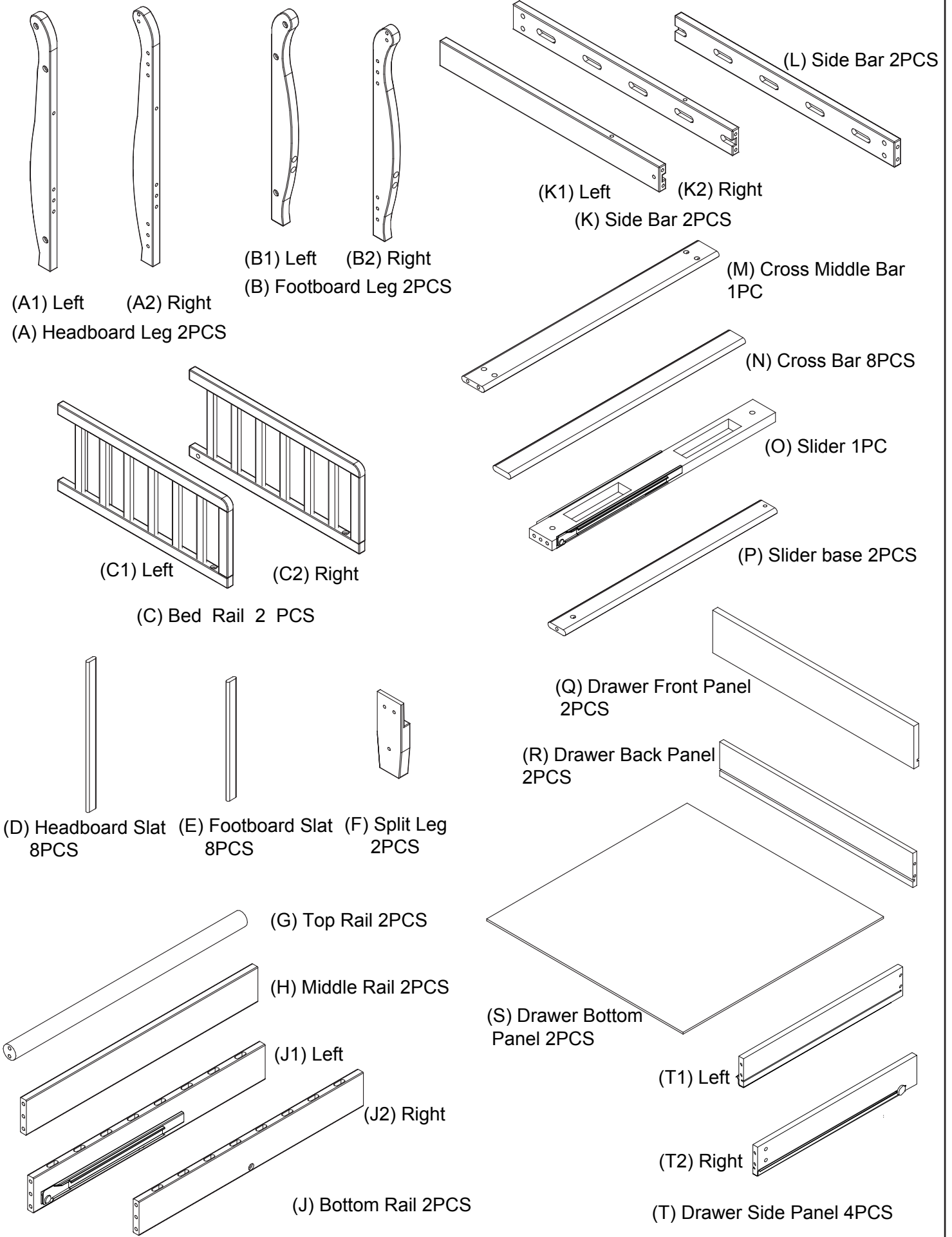
DO NOT USE THE TODDLER BED IF THE SPACE BETWEEN BED AND SOLID OBJECTS AS A WALL OR DRESSER IS MORE THAN 12 INCHES (31CM). A CHILD COULD SLIDE INTO A SMALL SPACE AND SUFFOCATE.

DO NOT USE THE TODDLER BED FOR INFANTS. THIS TODDLER BED IS NOT A SUBSTITUTE FOR A CRIB.

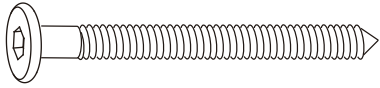
THE TODDLER BED IS FOR A CHILD BETWEEN THE AGE OF 15 MONTHS AND 5 YEARS WITH A MAXIMUM WEIGHT OF 50 POUNDS (23KG).

DO NOT USE A WATER MATTRESS WITH THIS PRODUCT.

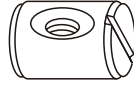
COMPONENT PARTS



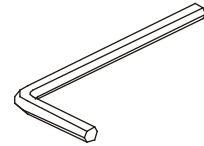
HEADWARE AND TOOL DIAGRAM



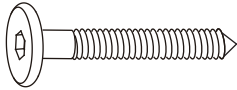
(a) Bolt 3" 22PCS



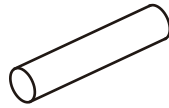
(b) Barrel Nut 22PCS



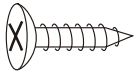
(c) Allen Wrench 1PC



(d) Bolt 1-3/5" 14PCS



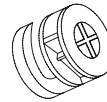
(e) Wood Dowel 1-3/5" 28PCS



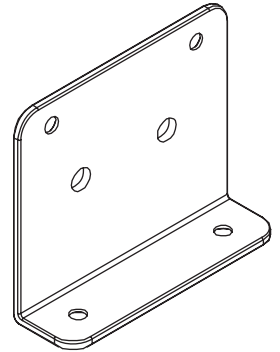
(f) 3/5" Selfdrilling Screws 8PCS



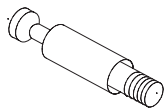
(g) Stopper 16PCS



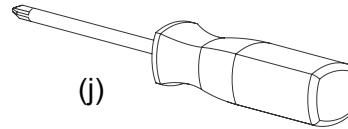
(k) Cams 16PCS



(h) L Metal Plate 2PCS



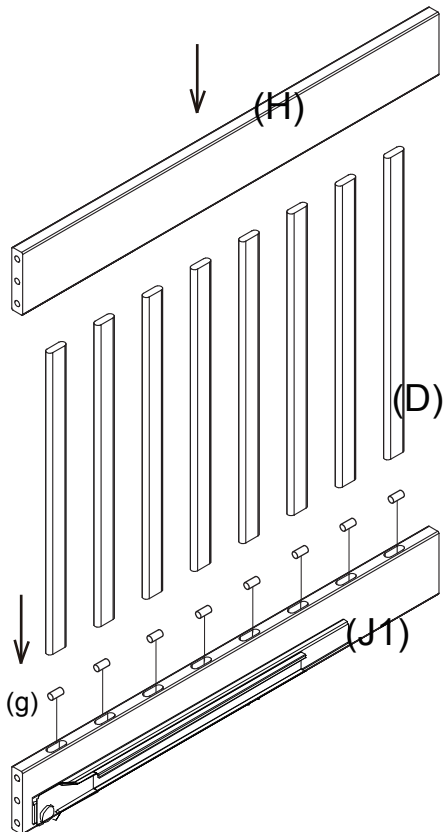
(m) Cam Bolt 16PCS



(j)

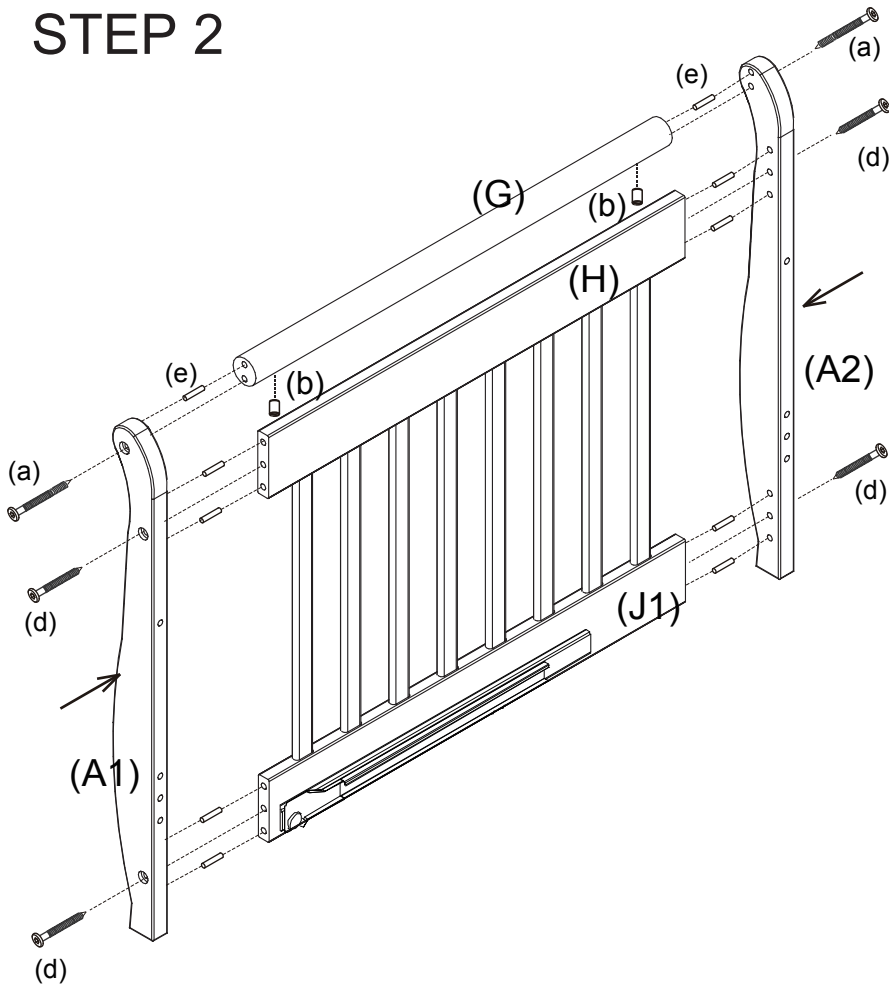
PHILLIPS-HEAD SCREWDRIVER REQUIRED FOR ASSEMBLY — NOT INCLUDE

STEP 1



Press the stopper (g) into the left bottom rail with slide (J1) with slat (D). Connect the slat (D) to the middle rail (H).

STEP 2

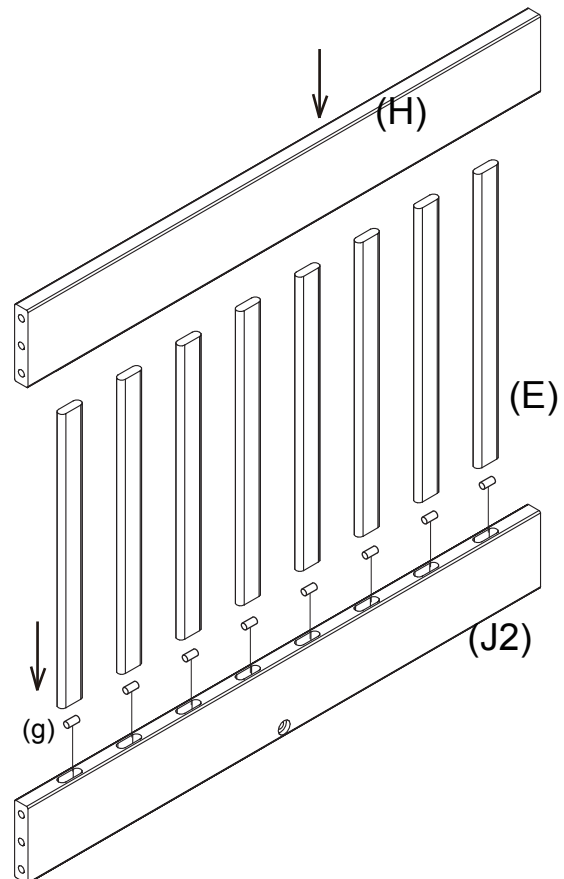


Using the bolt (a), barrel nut (b) and the wood dowel (e) to connect the left leg (A1) and right leg (A2) to top rail (G).

Using the bolt (d) and the wood dowel (e) to connect the left leg (A1) and right leg (A2) to middle rail (H) and left bottom rail (J1).

Note: Put the rail with slide down and inside that make your crib better.

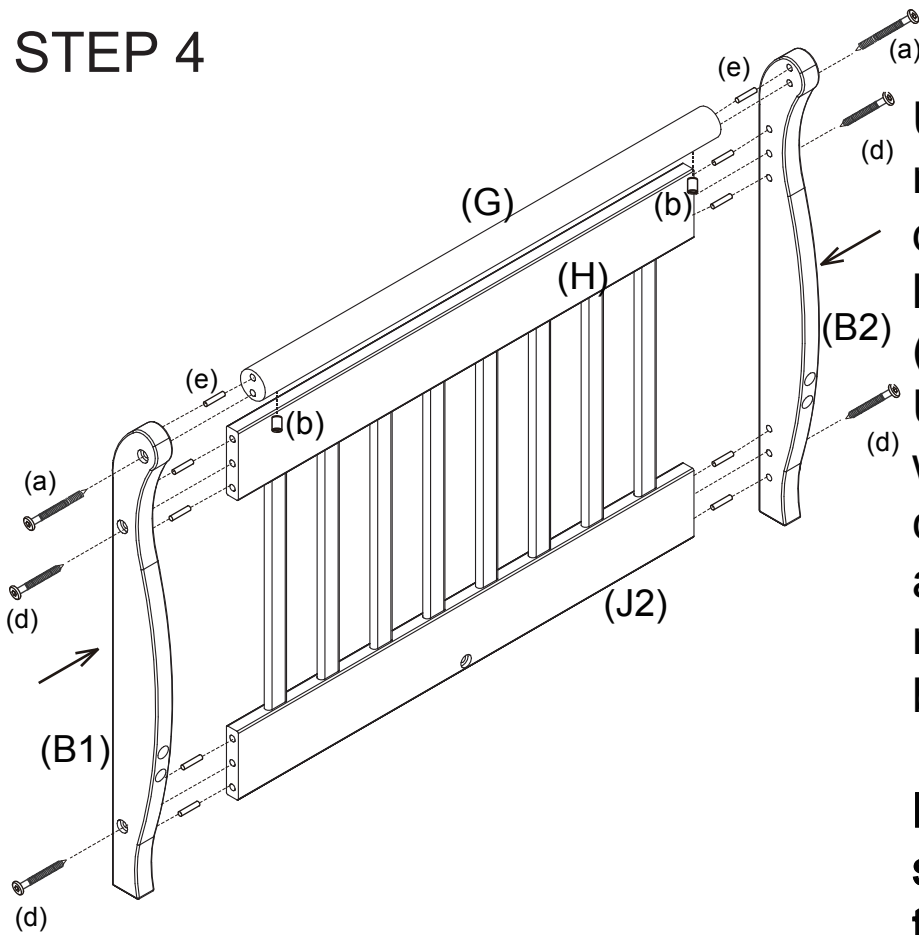
STEP 3



Press the stopper (g) into the right bottom rail with slide (J2) with slat (E).

Connect the slat (E) to the middle rail (H).

STEP 4

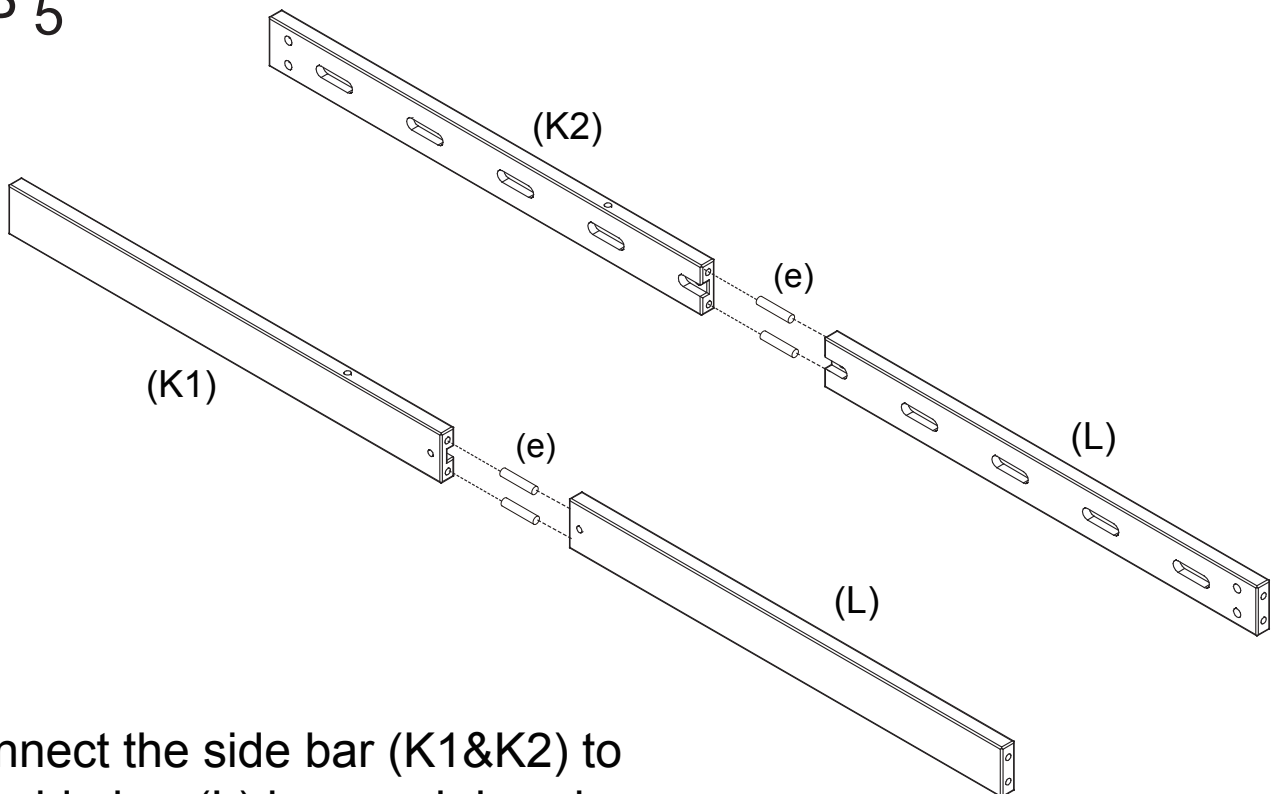


Using the bolt (a) ,barrel nut (b) and the wood dowel (e) to connect the left leg (B1) and right leg (B2) to top rail (G) .

Using the bolt (d) and the wood dowel (e) to connect the left leg (B1) and right leg (B2) to middle rail (H) and right bottom rail (J2).

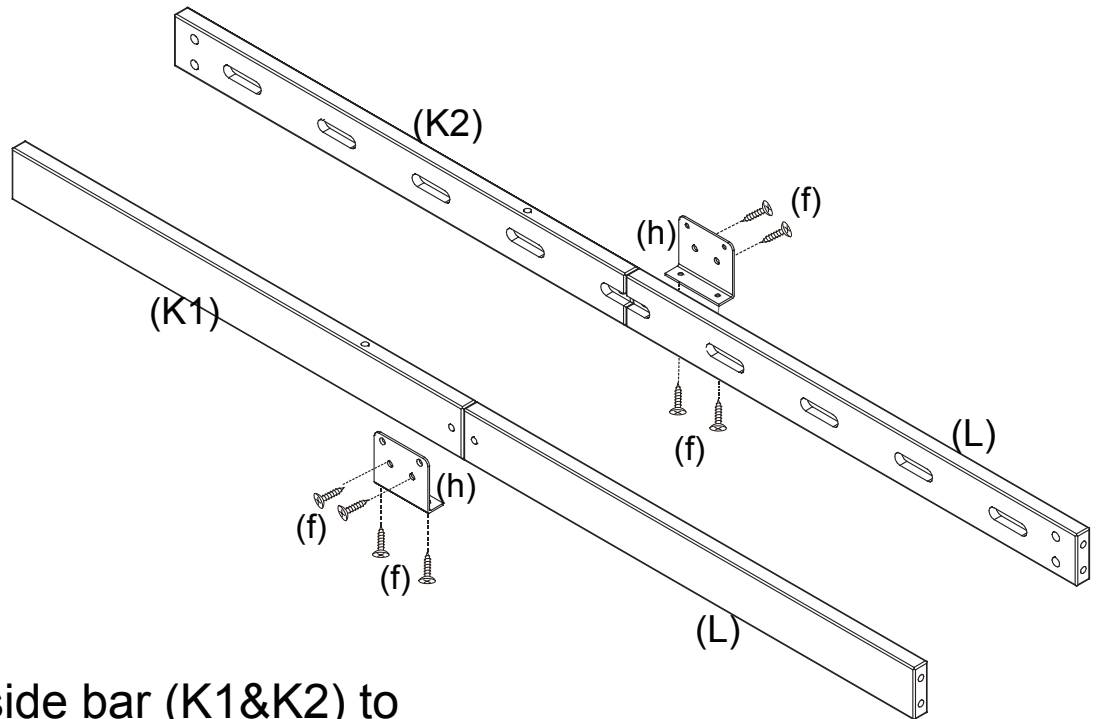
Note: Put the rail with slide down and inside that make your crib better .

STEP 5



Connect the side bar (K1&K2) to the side bar (L) by wood dowels (e).

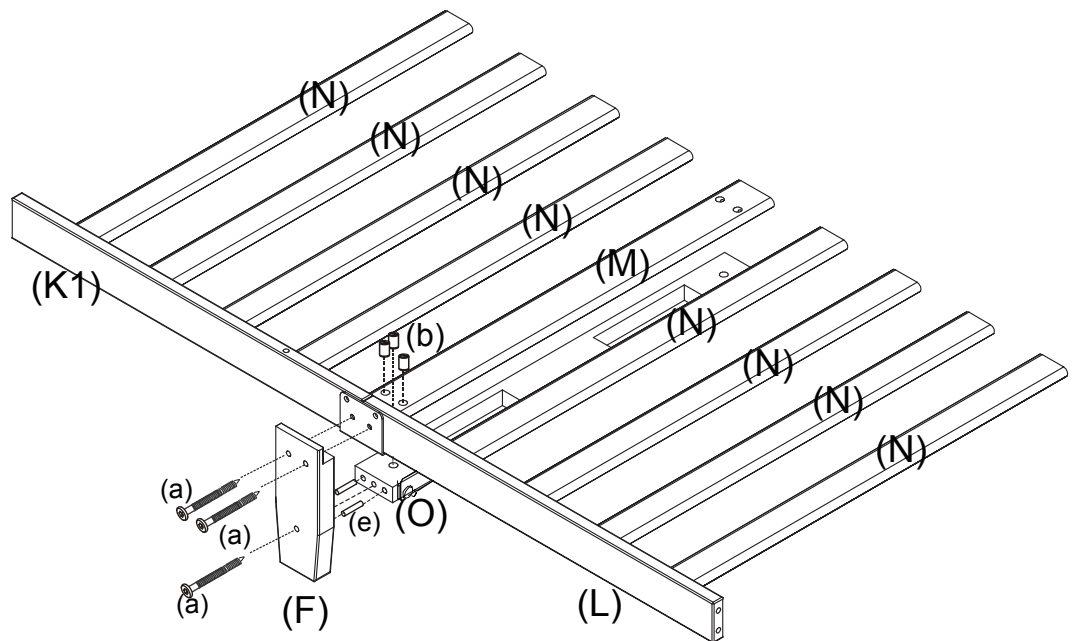
STEP 6



Connect the side bar (K1&K2) to the side bar (L) by L metal plates (h) and selfdrilling screws (f) .

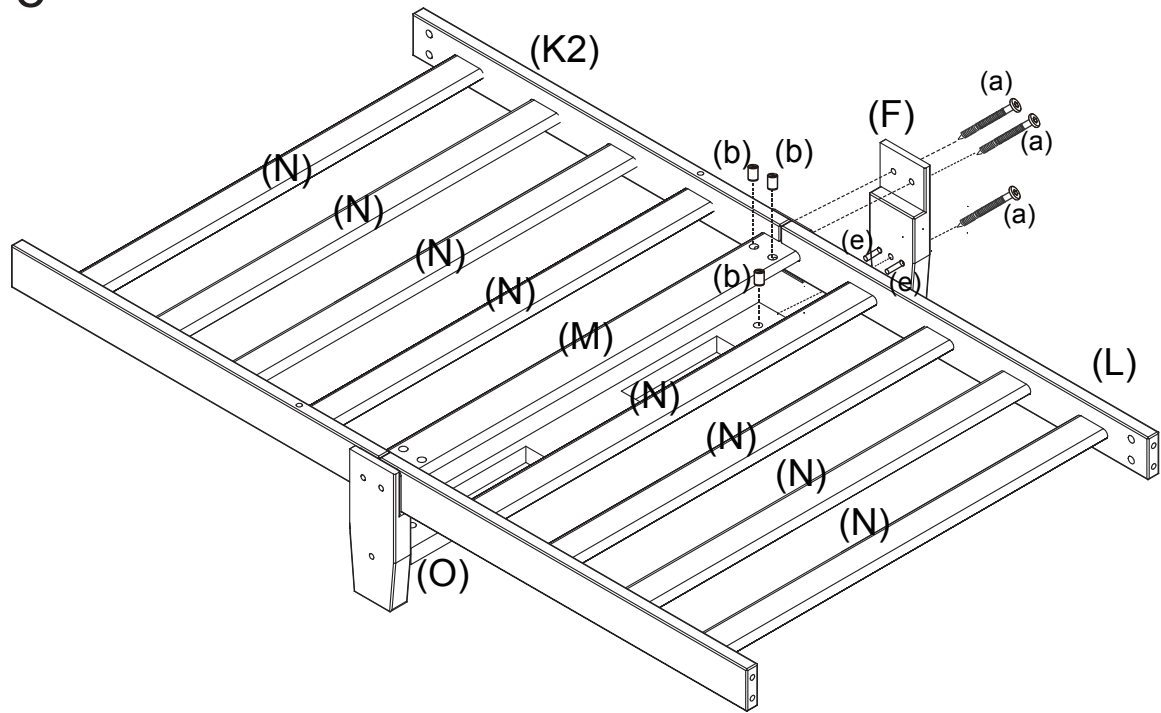
Note: When attach the L metal plates (h) ,make sure the holes on the L metal plates (h) match to the holes on the side bar (K&L) . Then tighten the selfdrilling screws (f) .

STEP 7



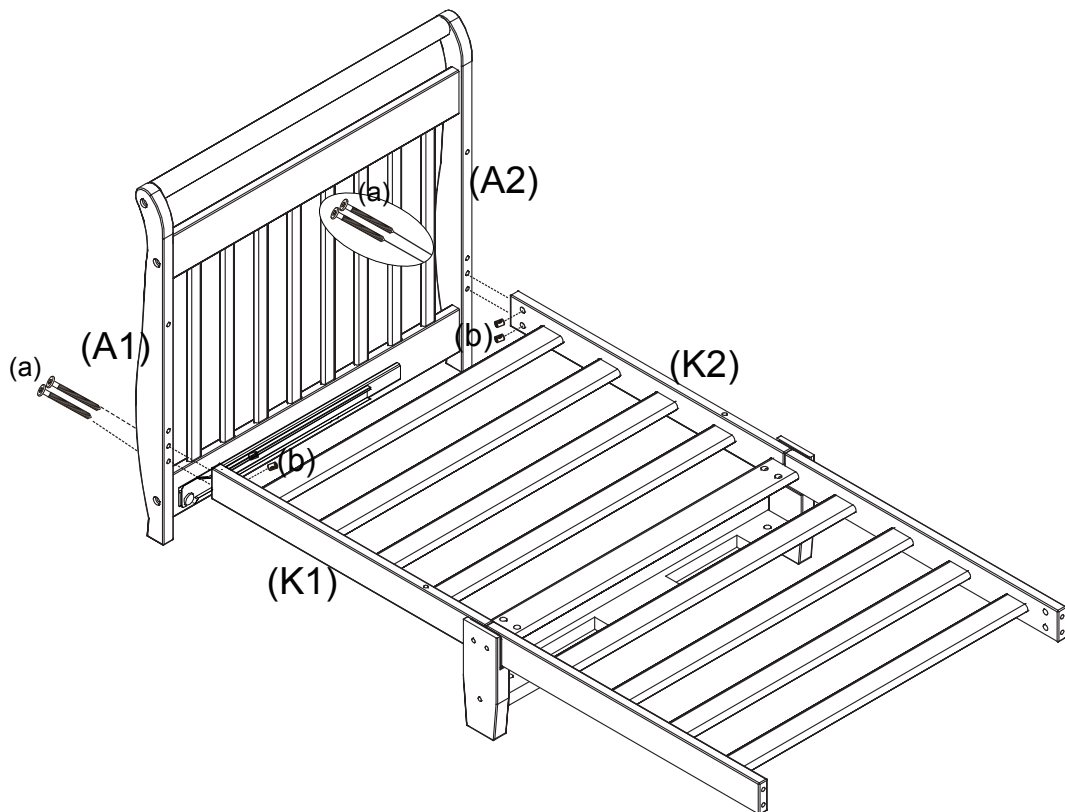
Insert the cross bar (M&N) to the left side bar (K1&L), then attach the split leg (F) to the cross bar (M) and the slider (O) by bolts (a), barrel nuts (b) and wood dowels (e) .

STEP 8



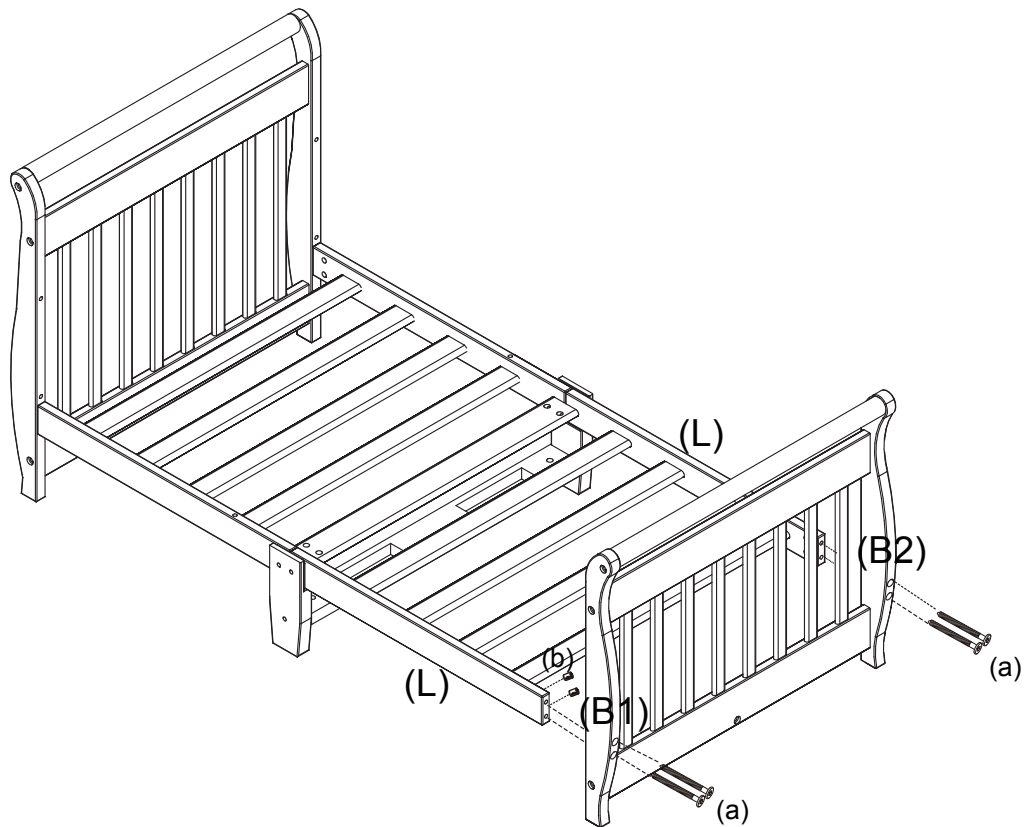
Insert the cross bar (M&N) to the right side bar (K2&L), then attach the split leg (F) to the cross bar (M) and the slider (O) by bolts (a), barrel nuts (b) and wood dowels (e) .

STEP 9



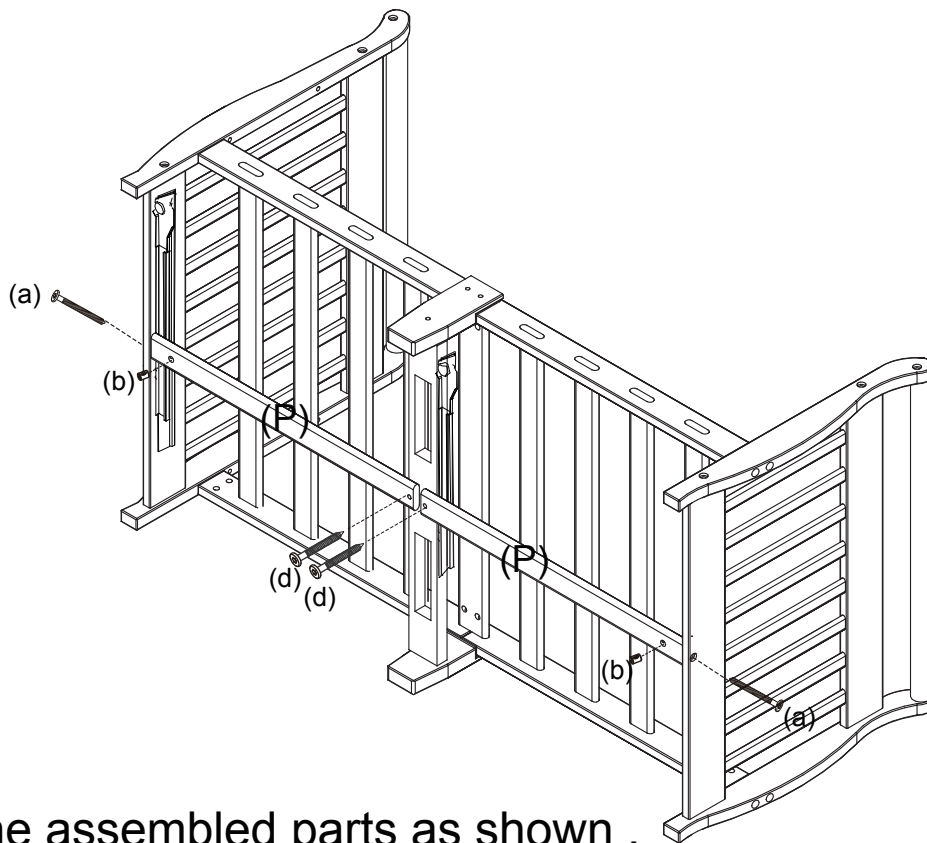
Connect the headboard (A1) to the left side bar (K1) using bolts (a) and barrel nuts (b) . The right side bar (K2) use the same way .

STEP 10



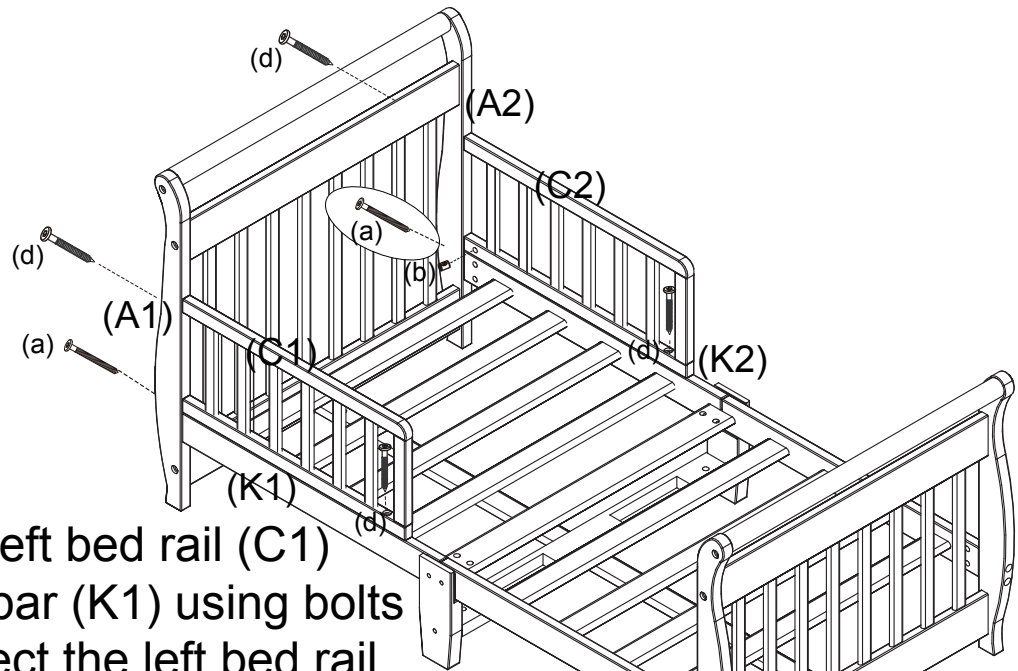
Connect the side bar (L) to the footboard leg (B1) by using bolts (a) and barrel nuts (b) . The footboard leg (B2) use the same way .

STEP 11



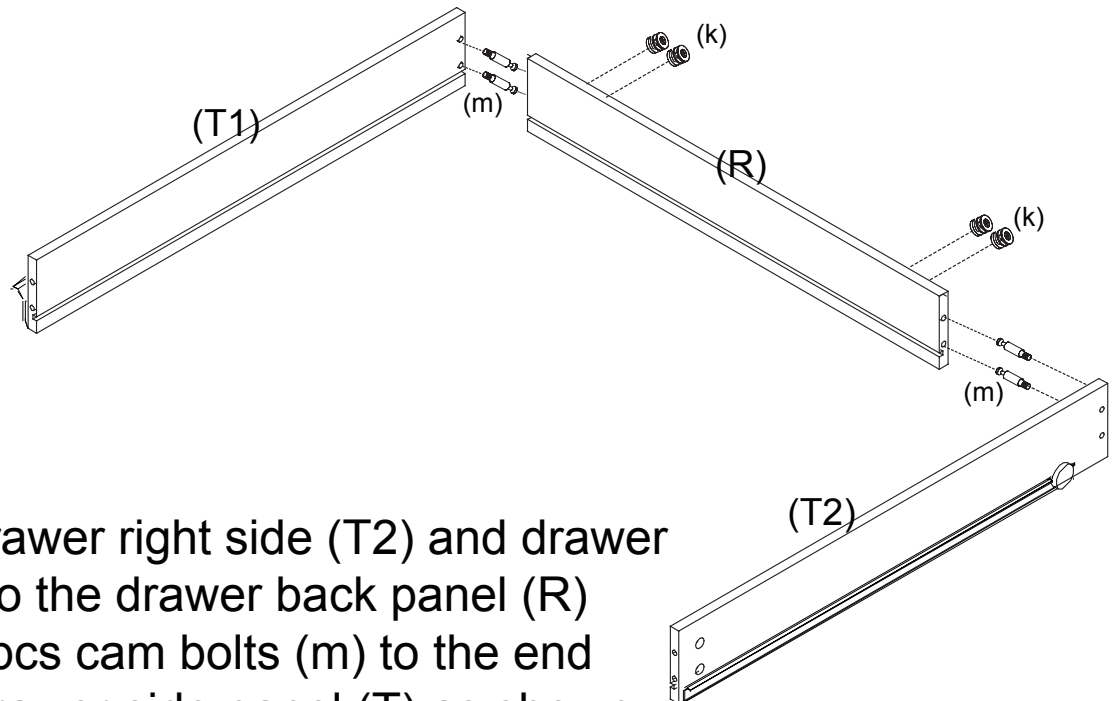
Put down the assembled parts as shown .
Then connect the slider base (P) to the assembled parts by using bolts (a&d) and barrel nuts (b) .

STEP 12



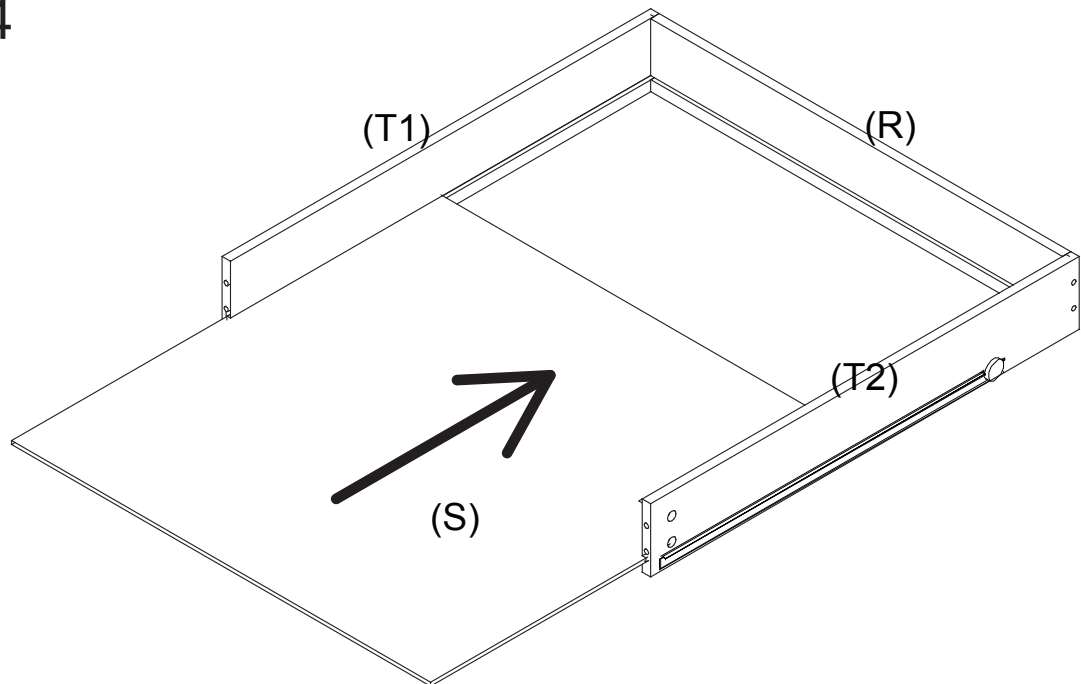
1. Connect the left bed rail (C1) to the left side bar (K1) using bolts (d). Then connect the left bed rail (C1) to the headboard leg (A1) using bolts (a&d) and barrel nuts (b). 2. Connect the right bed rail (C2) to the right side bar (K2) using bolts (d). Then connect the right bed rail (C2) to the headboard leg (A2) using bolts (a&d) and barrel nuts (b).

STEP 13



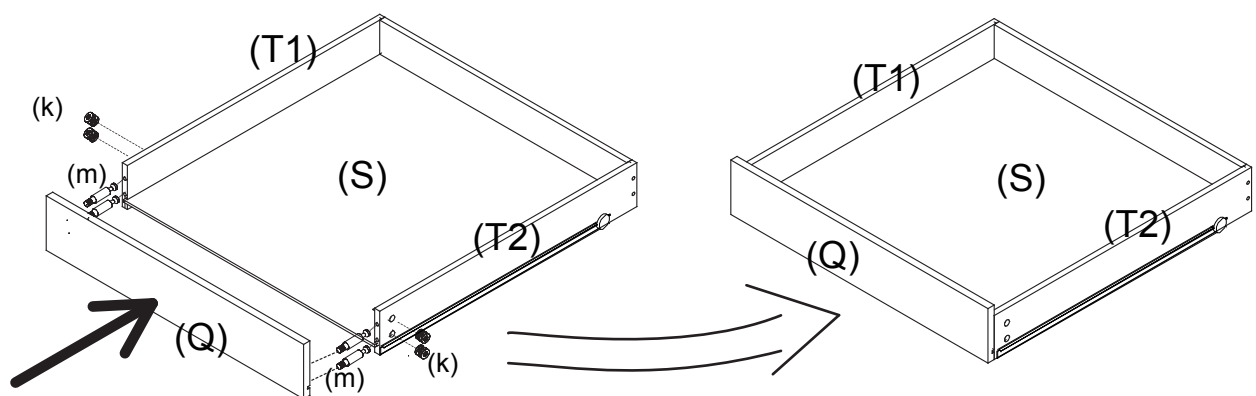
Attach both drawer right side (T2) and drawer left side (T1) to the drawer back panel (R) by inserting 4pcs cam bolts (m) to the end holes of the drawer side panel (T) as shown. Make sure the grooves line up and face inside. Insert 4pcs cams (k) into the holes of drawer back panel (R). Lock the cams into the drawer back panel (R) using phillips-head screwdriver.

STEP 14



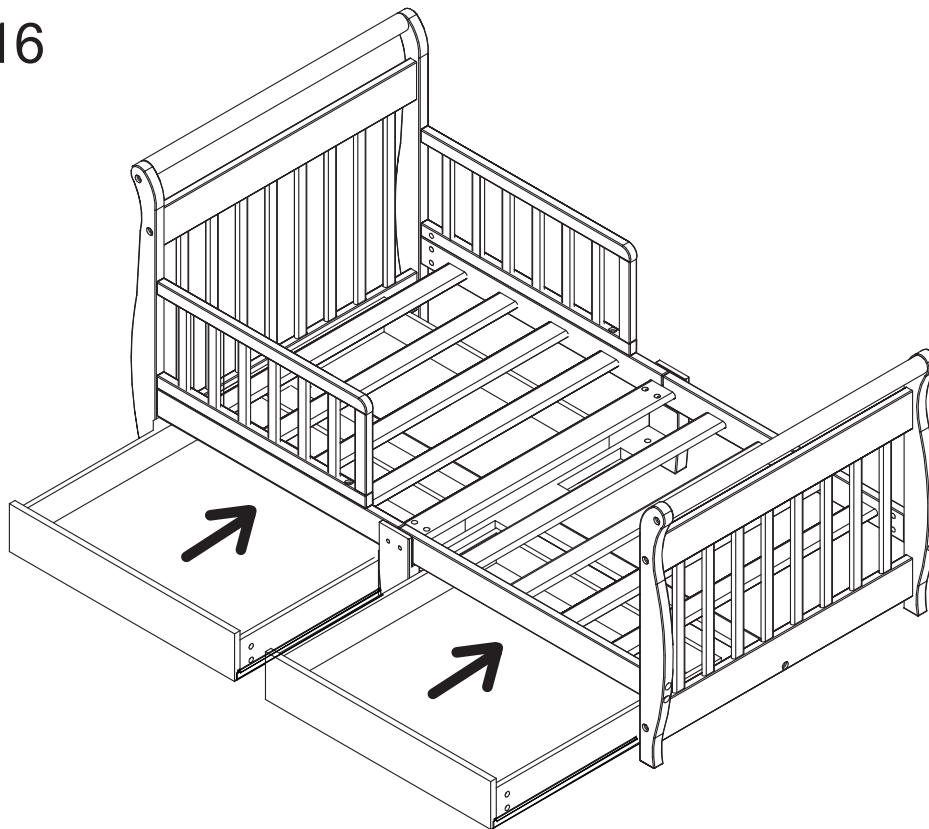
Slide drawer bottom panel (S) painted side up into grooves of drawer side panel (T) and drawer back panel (R) .

STEP 15

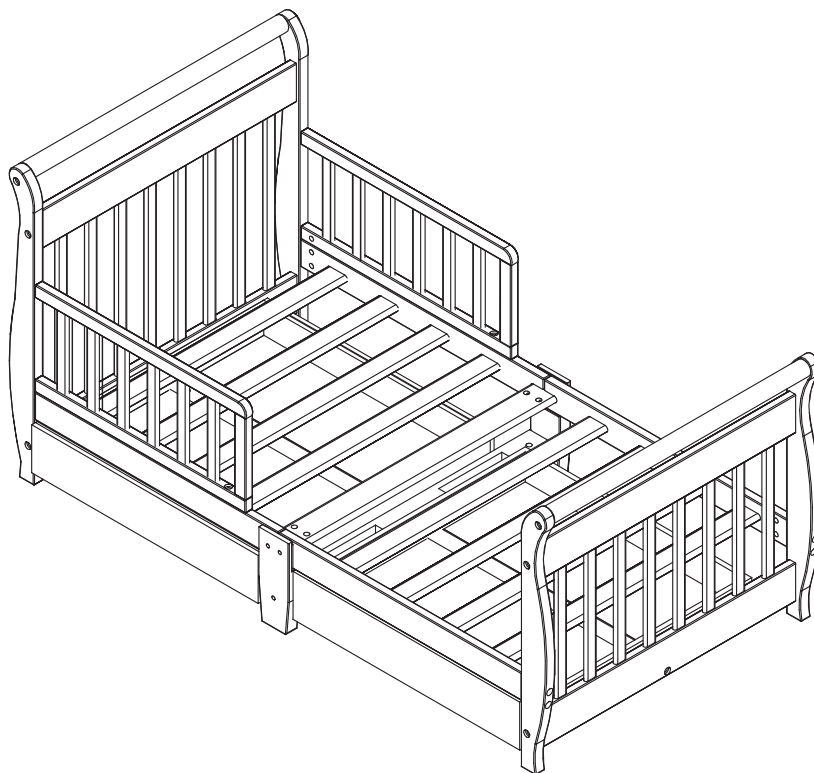


Attach drawer front panel (Q) by inserting cam bolts (m) into their corresponding cam bolts holes on ends of drawer side panel (T) . Make sure the drawer bottom panel (S) is also inserted into grooves of drawer front panel (Q) . Lock cams (k) by turning it clockwise .

STEP 16



Line up the drawer with the wheels and metal tracks on each side . panel (T) . With the front slightly elevated . slide into the track on the end ,lowering the front as it rolls into place under the toddler bed .



Congratulations , your toddler bed with drawer is ready to use .