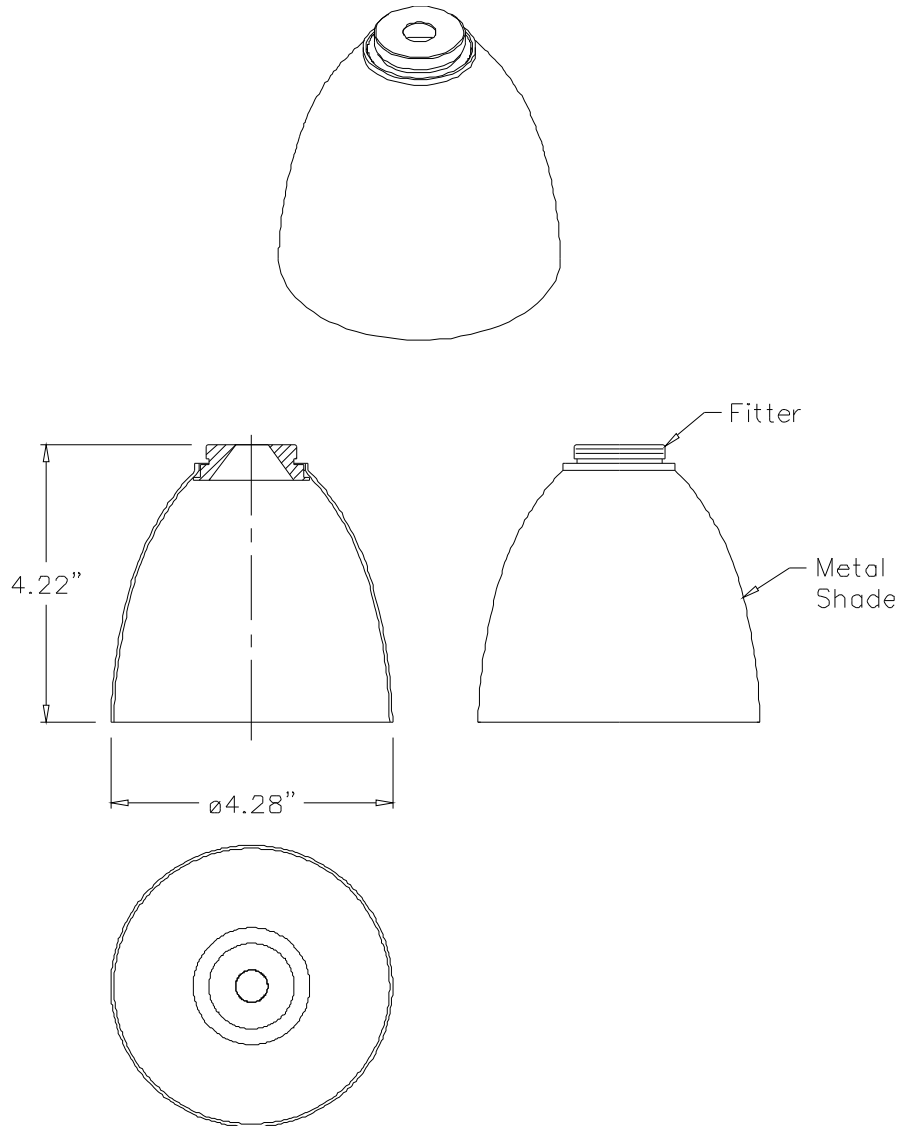


PERFORMER METAL SHADE FOR 1025 LED SUSPENSION



MATERIAL: Aluminum shade, etched on inner and outer surfaces
MOUNTING: Shade only. Must specify 1025 LED Suspension for complete fixture.
Shade screws into suspension