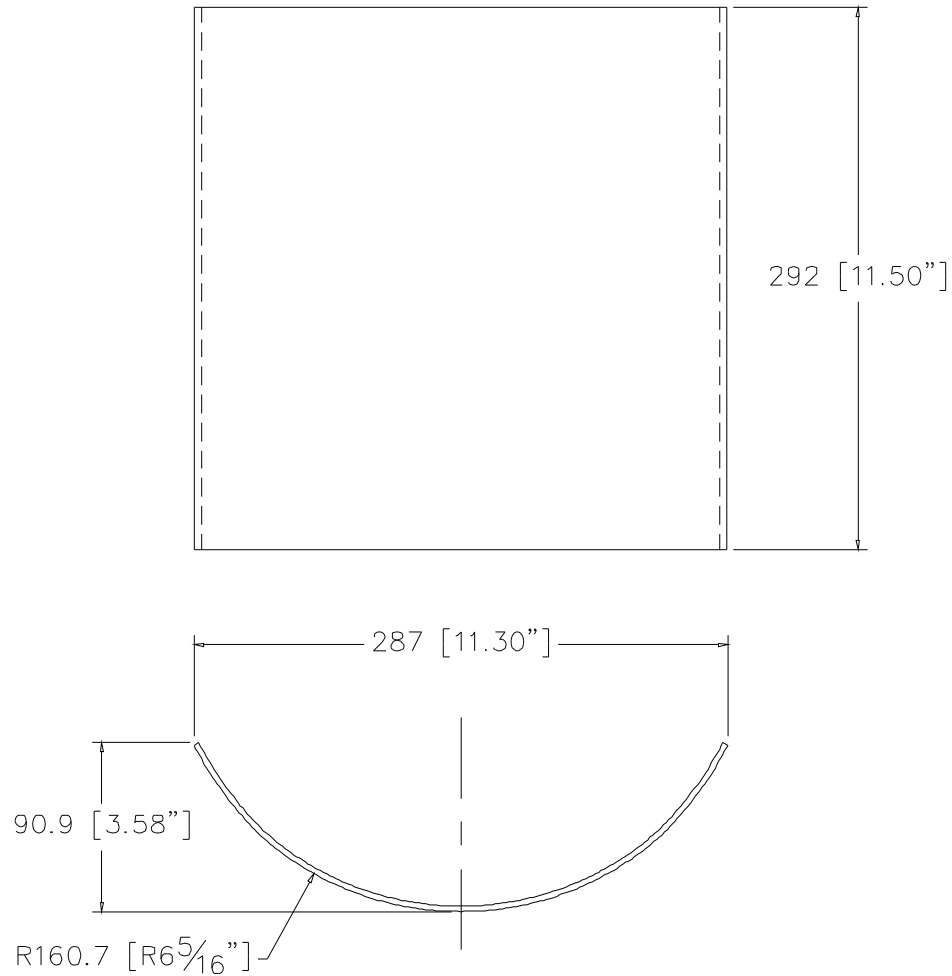


GLASS DIFFUSER FOR 1011 WALL BRACKET



- MATERIAL:** Silkscreened opal white glass diffuser
- MOUNTING:** Compatible with Hart Lighting backplate 1011.
MUST specify mounting hardware for complete fixture.
Hardware Options:
1032SN (Satin Nickel) or 1032BZ (Bronze) - 2 piece cast set that locks diffuser to frame
1035SN (Satin Nickel) or 1035BZ (Bronze)- 3 piece extruded "Blade" diffuser support system
Consult specification sheets for 1032SNBZ or 1035SNBZ for more information