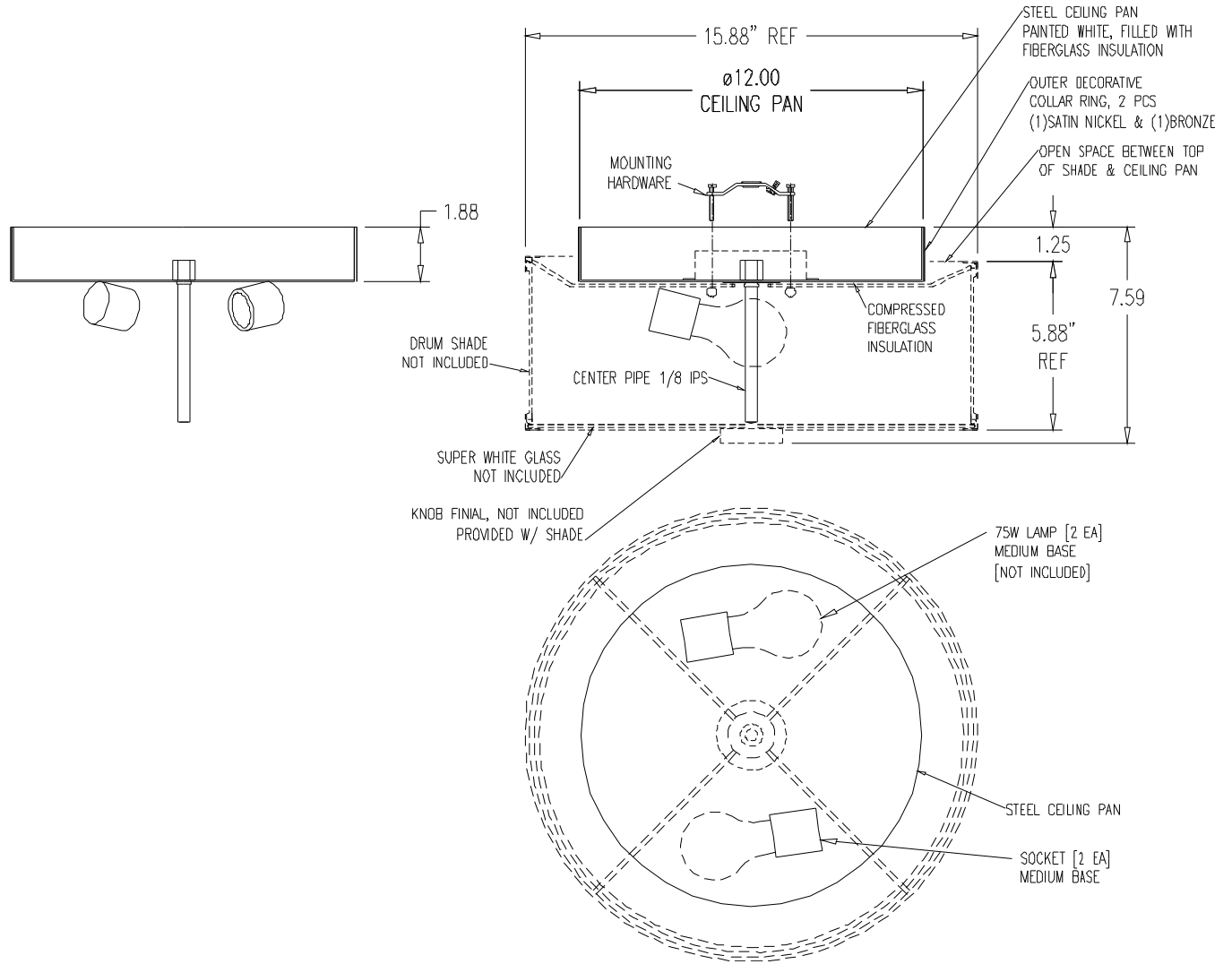


INCANDESCENT CEILING PAN



CONSTRUCTION: Steel Pan

ELECTRICAL: 2 X 75w medium base incandescent. UL Approved for damp location use

FINISHES: Pan ships with both satin nickel and bronze collars. Select collar that coordinates with selected shade

MOUNTING: Mounts to octagon junction box or 4x4 junction box with round plaster adapter

OPTIONS: Dimming and emergency battery available, consult factory. Compatible with round shades 1150/1151/1152 and square shades 1160/1161/1162. Specify shade separately