

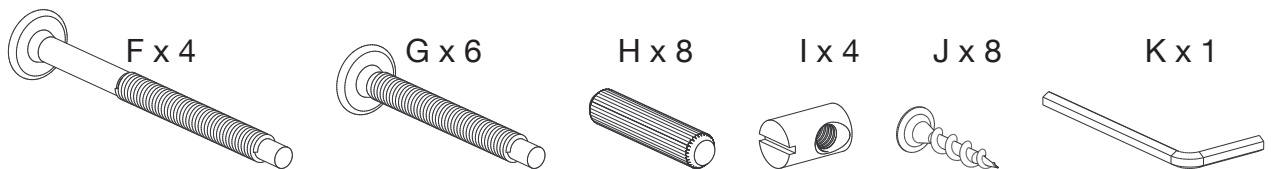
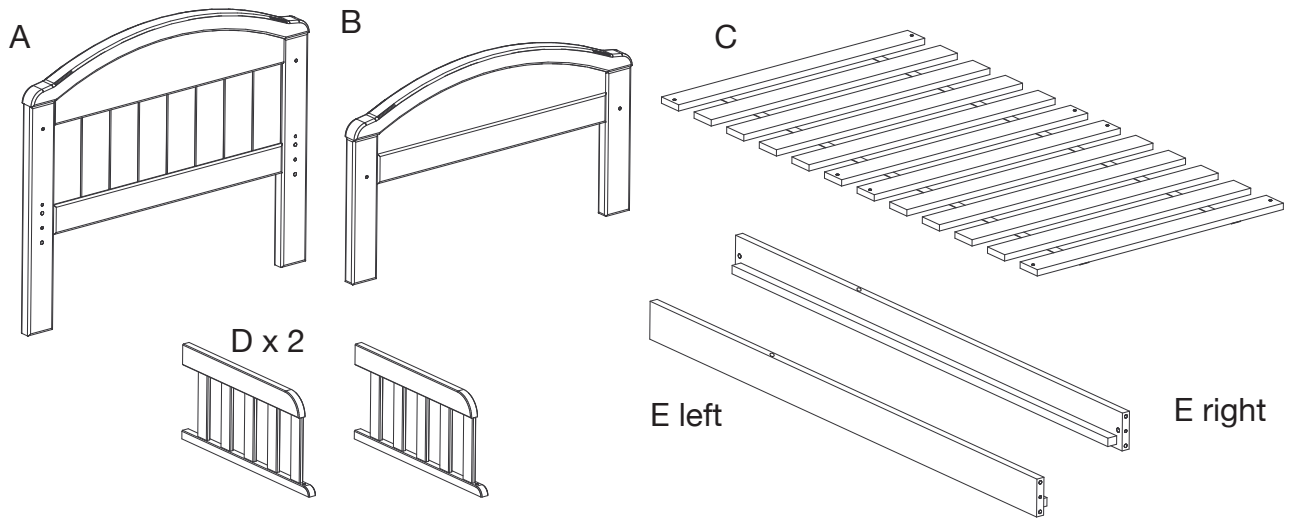
COUNTRY TODDLER BED



e a s t
c o a s t

IMPORTANT! KEEP FOR FUTURE REFERENCE

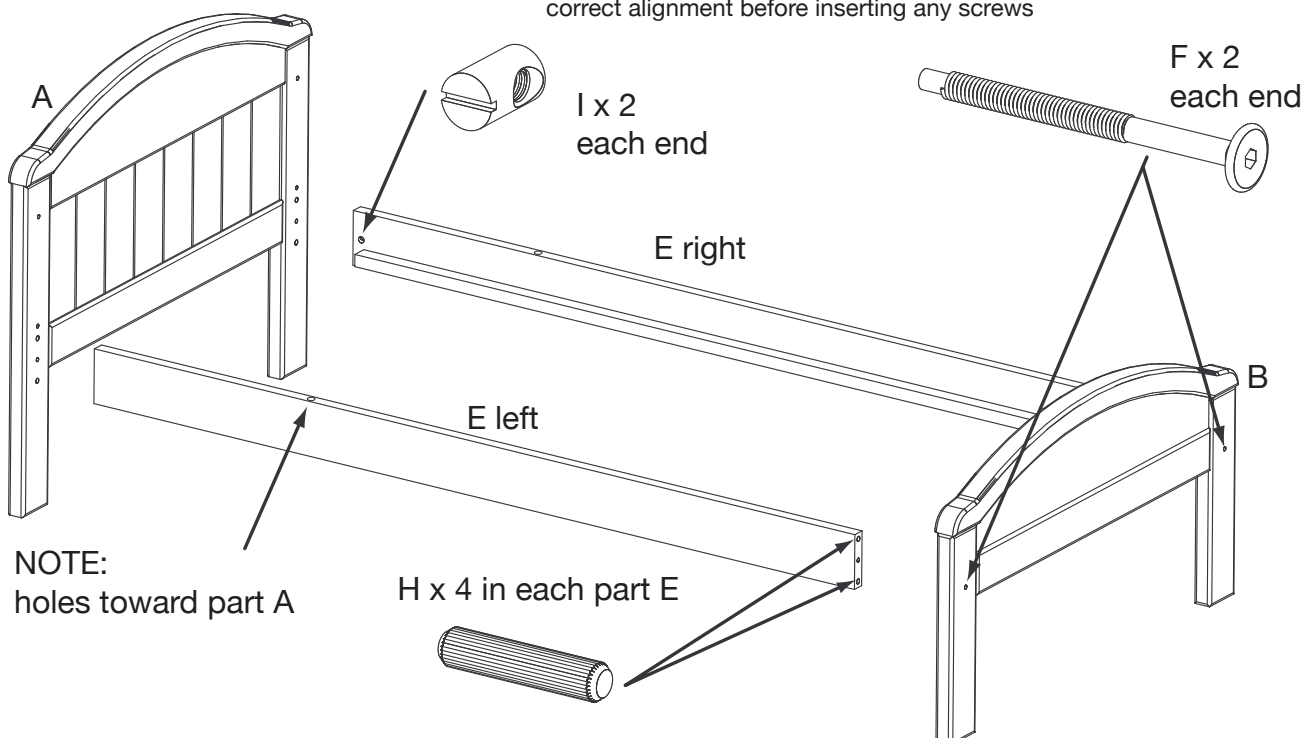
The help of an assistant will aid assembly.
A cross-point screwdriver is required for assembly.

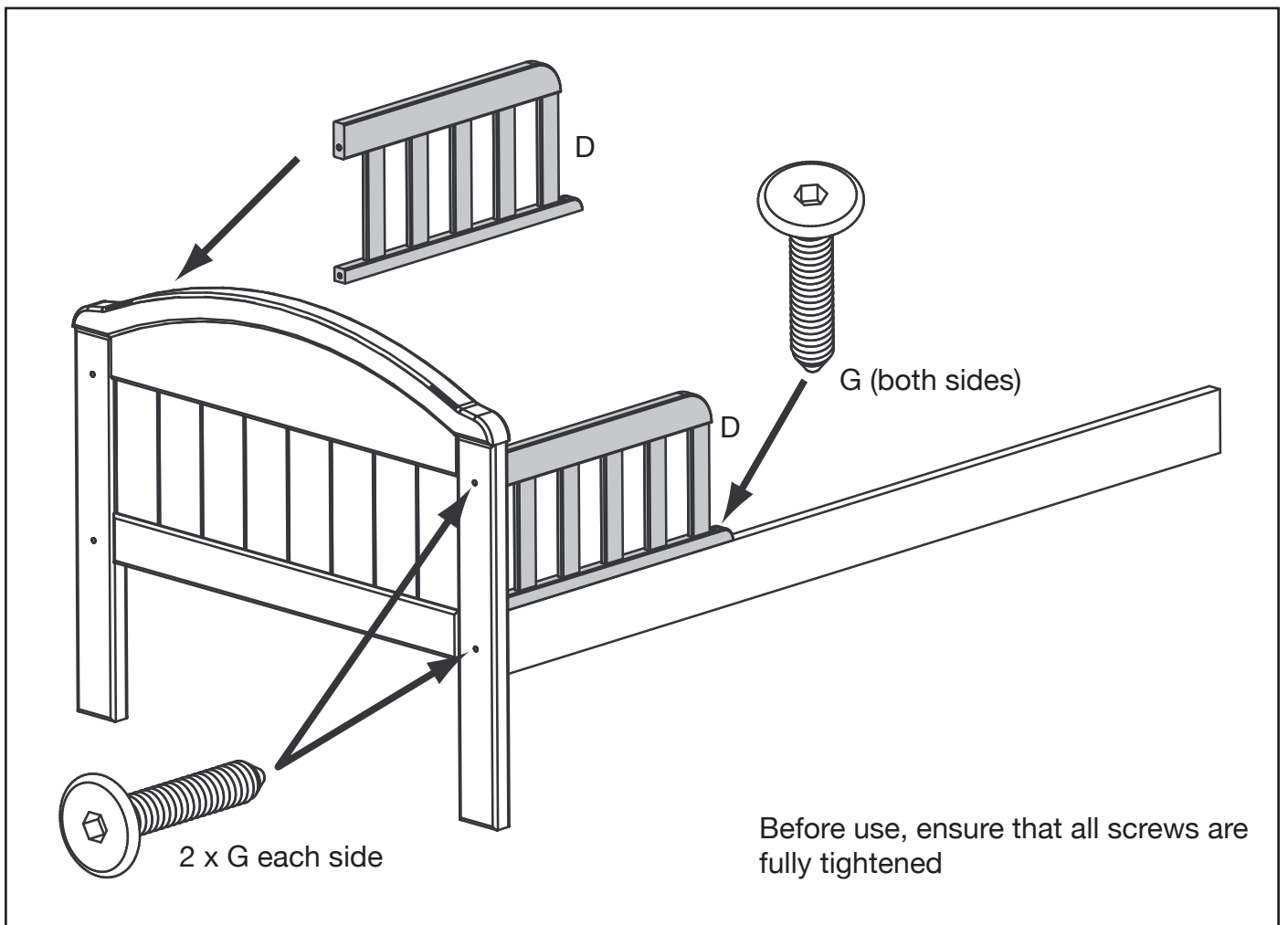
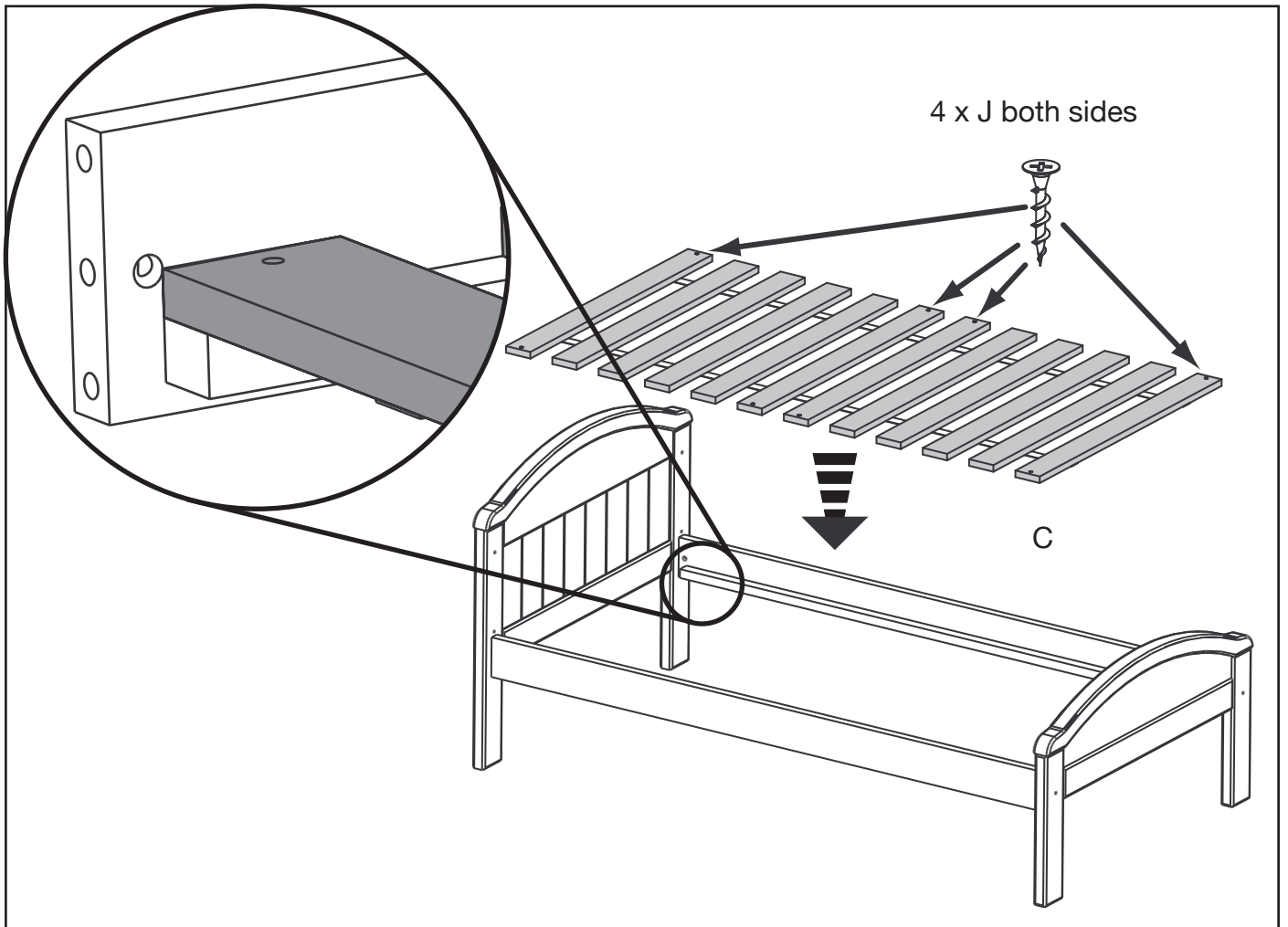


PLEASE DISPOSE OF PACKAGING MATERIAL.
PLASTIC BAGS CAN BE DANGEROUS TO YOUNG CHILDREN

ASSEMBLY

The dowel nuts (parts I) fit into the holes in the sides (parts E).
The slot on one end of the nut indicates the direction of the threaded hole and should be visible when the nut is inserted.
It is advisable to push each nut into its hole and check for correct alignment before inserting any screws





CARE AND MAINTENANCE

To clean use a damp cloth, avoiding the use of strong detergents or abrasives.
An occasional light application of a wax polish will help maintain a good appearance.

WARNING: Do not place this child's bed near heat sources, windows and other furniture.

WARNING: Do not use this child's bed if any of the parts are broken, torn or missing.

This bed is suitable for a child from 18 months until 4 years old.

This child's bed is to be used with a 1400mm x 700mm mattress.

The base slats are not to be removed once the bed base has been assembled. All other sections can be carefully removed for storage or transportation.

All assembly fixings should be checked periodically and re-tightened where necessary.

Children are likely to play, bounce, jump and climb on beds, therefore the child's bed should not be placed too close to other furniture or windows, blind cords, curtain pulls, or other strings or cords. It should be placed either tight to any wall or have a gap of 300mm between the wall and the side of the bed.

Any replacement parts should only be obtained from the manufacturer or distributor.

This product complies to standard BS 8509:2008 + A1:2011

WARNING

**YOUR CHILDREN'S SAFETY
IS YOUR RESPONSIBILITY**

In the case of assembly difficulties, missing parts or other queries, please contact the
Customer Care Hotline for this product on;

01692 408802

e a s t c o a s t