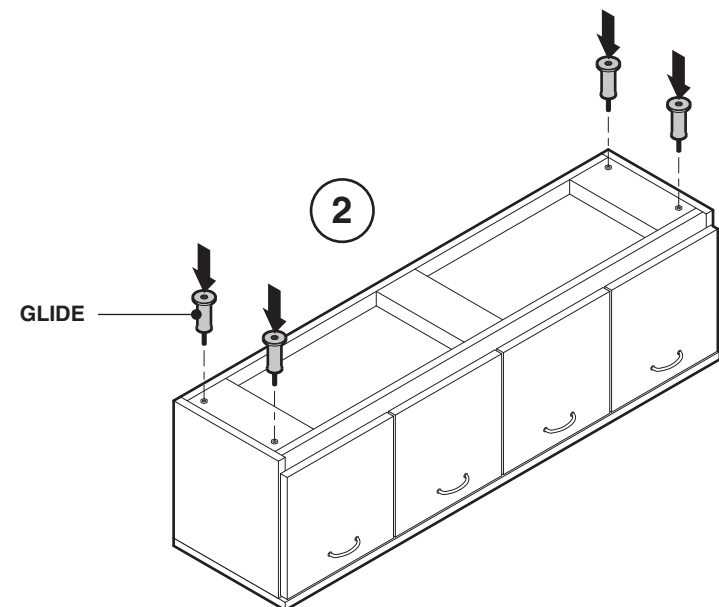
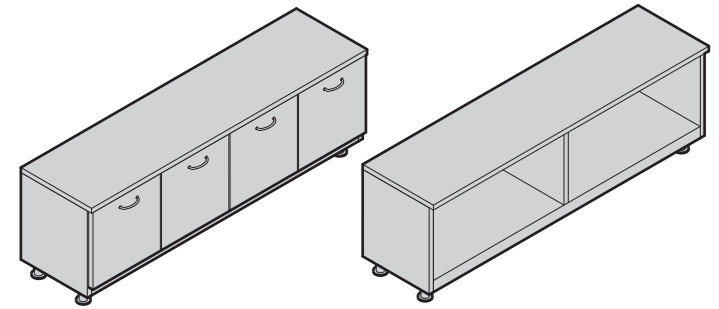
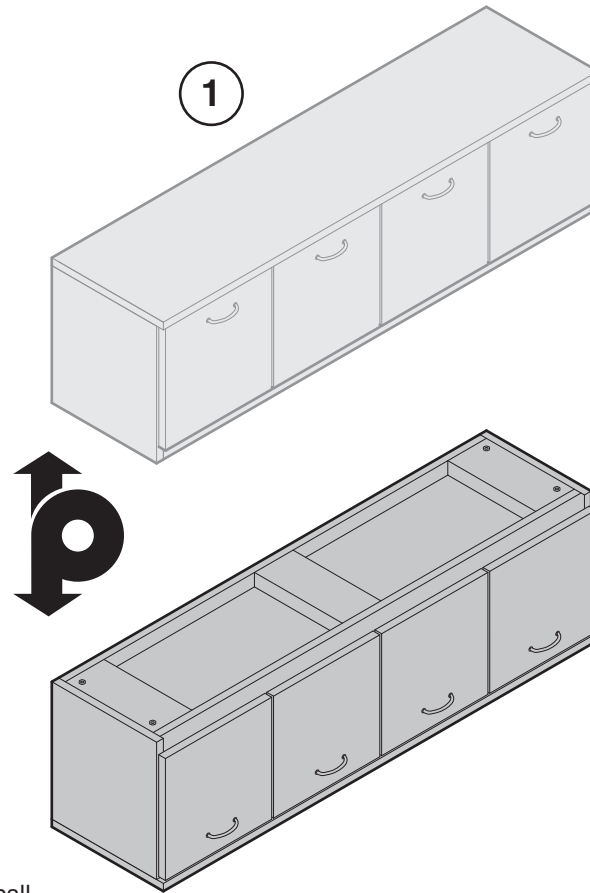


1. Turn the lower storage cabinet to an upside down position on a clean, scratch resistant surface.

2. Screw glides on all four (4) corners of the lower storage cabinet.

3. Turn the lower storage cabinet to an upright position and level.



If you have a problem, question, or request, call your local dealer, or Steelcase Line 1 at **888.STEELCASE** (888.783.3522) for immediate action by people who want to help you.

(Outside the U.S.A., Canada, Mexico, Puerto Rico, and the U.S. Virgin Islands, call: 1.616.247.2500)

Or visit our website: www.steelcase.com

© 2012 Steelcase Inc.
Grand Rapids, MI 49501
U.S.A.

Printed in U.S.A.