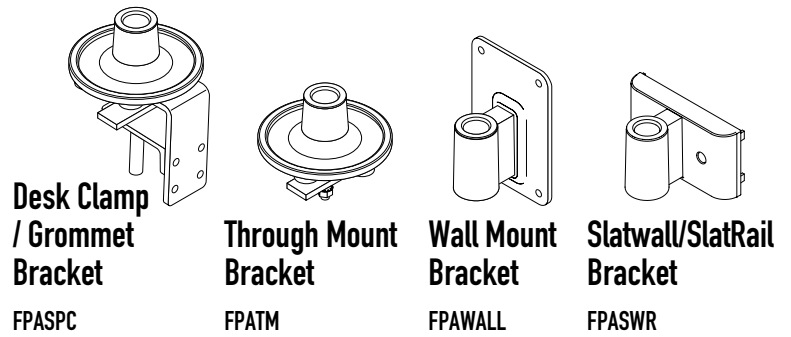


Installation Instructions

FYI Monitor Arm Brackets

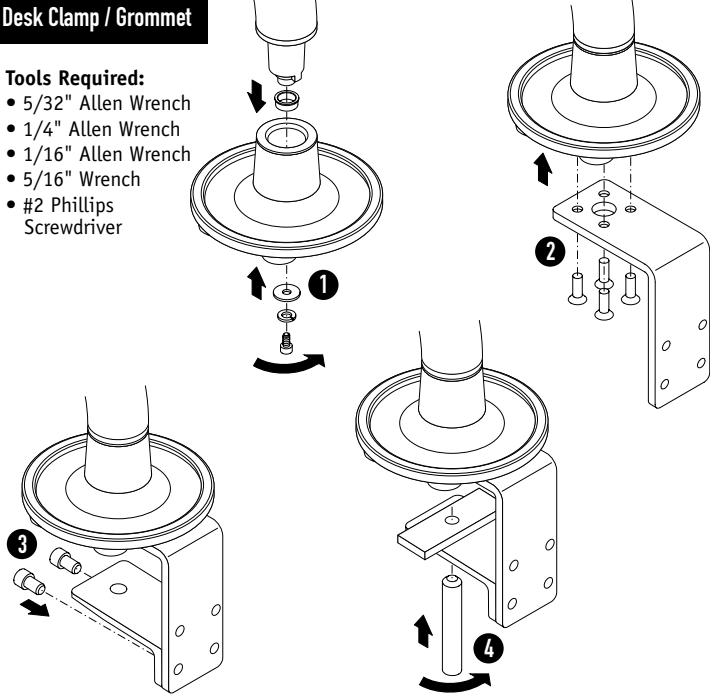
003876D Rev C



Desk Clamp / Grommet

Tools Required:

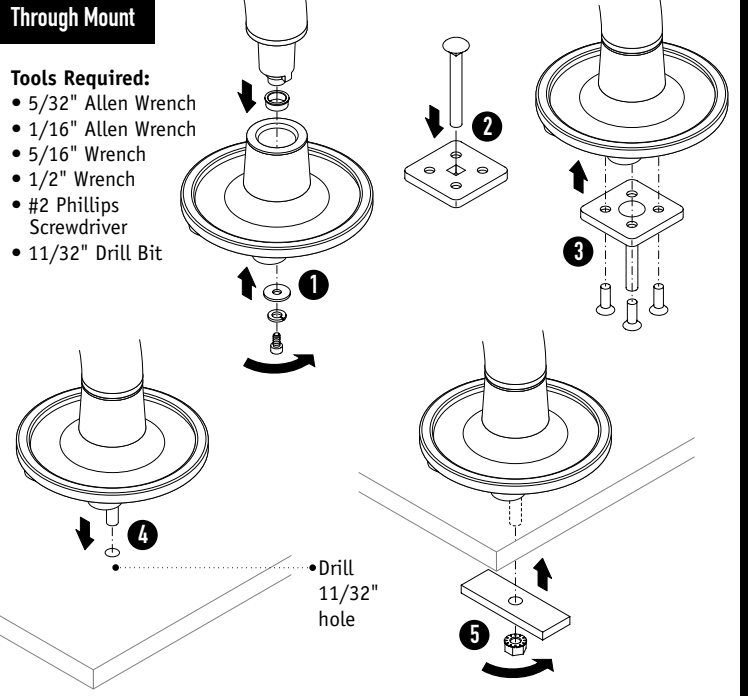
- 5/32" Allen Wrench
- 1/4" Allen Wrench
- 1/16" Allen Wrench
- 5/16" Wrench
- #2 Phillips Screwdriver



Through Mount

Tools Required:

- 5/32" Allen Wrench
- 1/16" Allen Wrench
- 5/16" Wrench
- 1/2" Wrench
- #2 Phillips Screwdriver
- 11/32" Drill Bit



Wall Mount

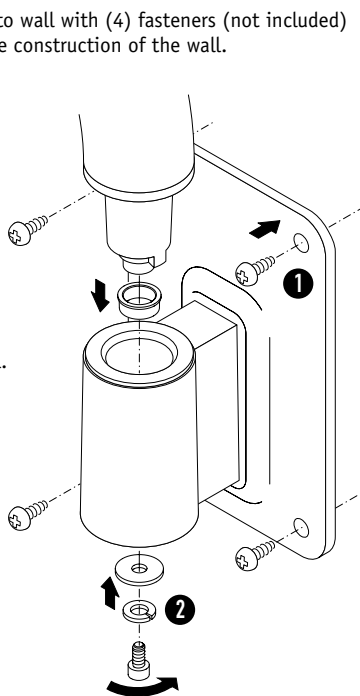
Attach assembly to wall with (4) fasteners (not included) appropriate to the construction of the wall.

Use #10 wood screws when attaching to a stud.

Use #10 toggle bolts when attaching directly to drywall.

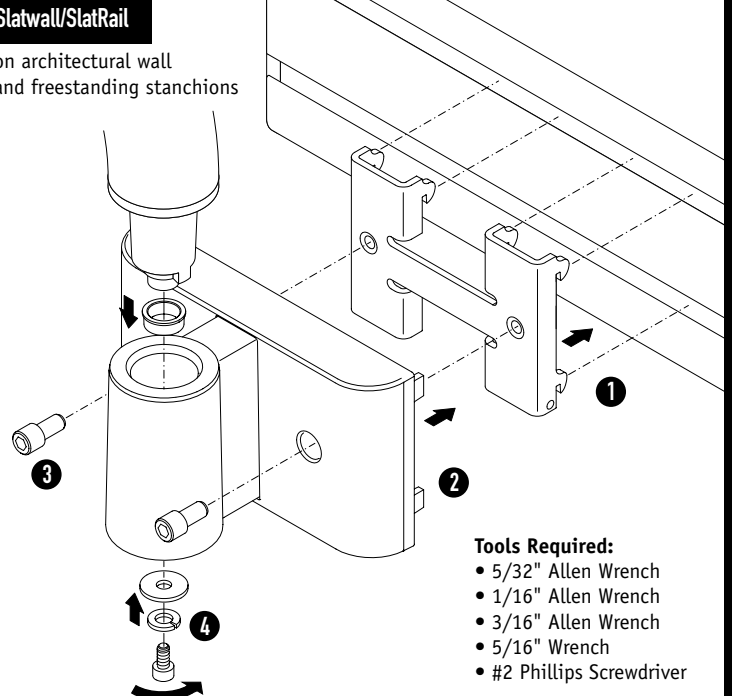
Tools Required:

- 5/32" Allen Wrench
- 1/16" Allen Wrench
- 5/16" Wrench
- #2 Phillips Screwdriver



Slatwall/SlatRail

on architectural wall and freestanding stanchions



Tools Required:

- 5/32" Allen Wrench
- 1/16" Allen Wrench
- 3/16" Allen Wrench
- 5/16" Wrench
- #2 Phillips Screwdriver

Note: Located in Monitor Arm Hardware Pack.



For a better day at work.™

details®

A STEELCASE COMPANY

www.details-worktools.com
 Details Customer Alliance 800.833.0411
 All rights reserved. Printed in U.S.A. 8/05