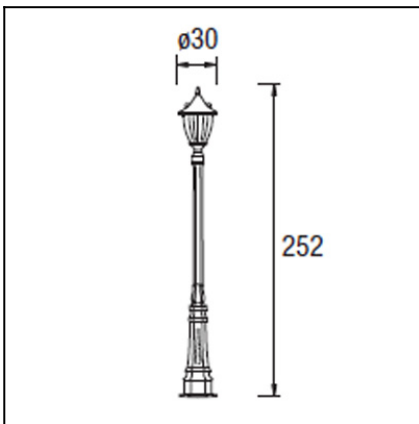




The photograph may not match the reference exactly. Please read the product description to identify the finish.



### TECHNICAL CHARACTERISTICS

Type:	Streetlight head
IP Protection degrees:	IP23
Lampholder:	3 x E14
Power (W):	E14 max. 60W
Total power consumption (W):	180
Voltage / Frequency:	220-240V/50-60Hz
Units per box:	2
Net Weight (Kg):	5.145
EAN:	8435111036426



### MATERIALS / FINISHES

**Structure material:** Injected aluminium

**Diffuser material:** Glass

**Structure finish:** Oxide brown