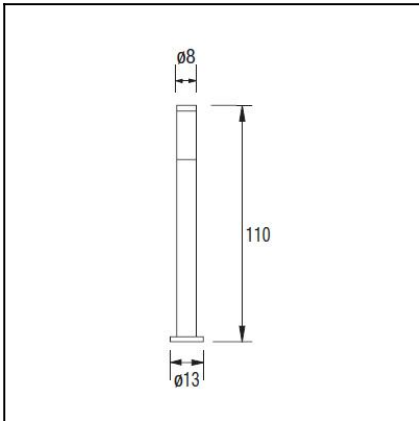




The photograph may not match the reference exactly. Please read the product description to identify the finish.



TECHNICAL CHARACTERISTICS

| | |
|------------------------------|------------------|
| Type: | Streetlight |
| IP Protection degrees: | IP55 |
| Lampholder: | 1 x E27 |
| Power (W): | E27 max. 23W |
| Total power consumption (W): | 23 |
| Voltage / Frequency: | 220-240V/50-60Hz |
| Units per box: | 2 |
| Net Weight (Kg): | 1.615 |
| EAN: | 8435071402453 |



MATERIALS / FINISHES

Structure material: Stainless steel
AISI202

Diffuser material: Polycarbonate

Diffuser finish: Opal white