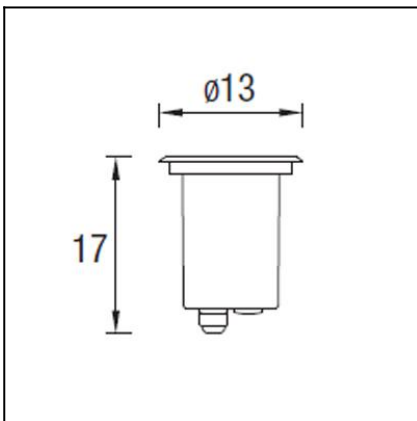




The photograph may not match the reference exactly. Please read the product description to identify the finish.



### DESCRIPTION

May be flush mounted into the ground. Body produced in techno-polymer with a tempered glass diffuser. Available with an AISI 304 or AISI 316 stainless steel surround. For GU-10 light source, compatible with LED, compact fluorescent and halogen lamps. Its wire outlets on both sides makes it suitable for an array installation. Includes flush mounting box.

### TECHNICAL CHARACTERISTICS

Type:	Uplight
IP Protection degrees:	IP67
IK Protection degrees:	IK08
Lampholder:	1 x GU10
Power (W):	GU10 MAX 50W
Total power consumption (W):	50
Voltage / Frequency:	230V/50-60Hz
Units per box:	8
Net Weight (Kg):	0.63
EAN:	8435111053522



### MATERIALS / FINISHES

**Structure material:** Stainless steel AISI304  
Technopolymer

**Diffuser material:** Glass

**Diffuser finish:** Tempered

