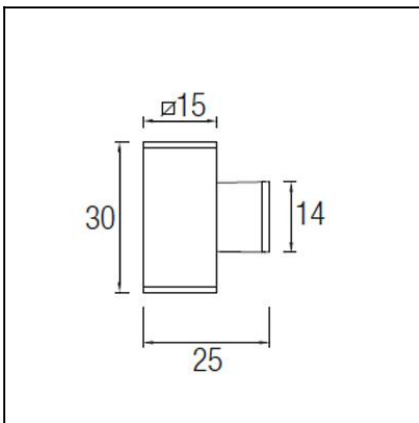




The photograph may not match the reference exactly. Please read the product description to identify the finish.

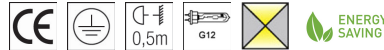


### DESCRIPTION

Straight edged lamp designed for lighting vertical surfaces. Injected aluminium body and tempered glass diffuser. Available in various sizes and finishes: white, light grey, dark grey and brown. Available in different wattages for metal halide lamps, LED and fluorescent lights.

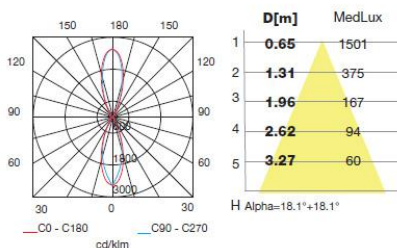
### TECHNICAL CHARACTERISTICS

Type:	Wall fixture
IP Protection degrees:	IP65
IK Protection degrees:	IK08
Lampholder:	1 x G12
Power (W):	G12 HIT-T-70W
Voltage / Frequency:	230V/50Hz
Units per box:	2
Net Weight (Kg):	4.735
EAN:	8435111067178



### MATERIALS / FINISHES

<b>Structure material:</b>	High purity aluminium	<b>Diffuser material:</b>	Glass
<b>Structure finish:</b>	Urban grey	<b>Diffuser finish:</b>	Tempered



### GEAR

Gear included: Yes, Magnetic